



AUTOMATIC DRAFT BEER DISPENSER
TIREUSE A BIÈRE AUTOMATIQUE
AUTOMATISCHE BIERZAPFANLAGE
AUTOMATISCHE BIERTAPINSTALLATIE
DISPENSADOR AUTOMÁTICO DE CERVEZA DE BARRIL
SPILLATORE DI BIRRA AUTOMATICO

DBF-AS65WE-EU-HC

INSTRUCTION MANUAL

(original instructions)

NOTICE D'UTILISATION

(instructions traduites)

BEDIENUNGSANLEITUNG

(Übersetzung)

GEBRUIKSAANWIJZING

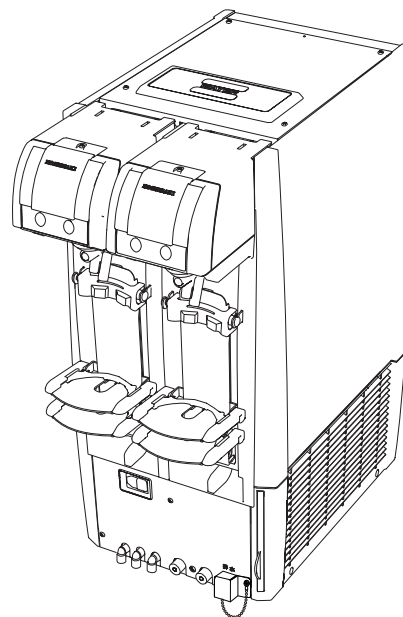
(vertaalde instructies)

MANUAL DE INSTRUCCIONES

(instrucciones traducidas)

MANUALE D'ISTRUZIONI

(traduzione)



HOSHIZAKI CORPORATION

3-16 Minamiyakata, Sakae-cho, Toyoake, Aichi 470-1194 Japan

L1B078221 (060721)

ENGLISH

IMPORTANT SAFETY INFORMATION	1
I. INSTALLATION INSTRUCTIONS	3
1. CONSTRUCTION	3
2. ACCESSORIES	4
3. UNPACKING	4
4. LOCATION	5
5. INSTALLATION	5
[a] DISPENSER	6
[b] DRAIN PAN	6
[c] PLATFORM ADJUSTMENT	7
6. ELECTRICAL CONNECTIONS	9
7. GAS AND BEER CIRCUIT CONNECTIONS	9
[a] CO2 GAS CYLINDER	9
[b] HOSE CONNECTIONS	10
[c] CHECKS AFTER CONNECTIONS	10
8. CHECKS AFTER INSTALLATION	11
9. SOLD OUT SENSOR SETTING ("U07")	11
10. USER SETTINGS	12
II. OPERATING INSTRUCTIONS	13
1. CLEANING BEER CIRCUIT	13
2. FILLING WATER TANK	13
[a] HOW TO MAKE COOLING WATER	13
[b] COOLING WATER SUPPLY	14
3. CHECKS BEFORE OPERATION (DAILY)	14
[a] CHECKING CO2 GAS CYLINDER	14
[b] REPLACING CO2 GAS CYLINDER	14
[c] CHECKING BEER KEG	15
[d] REPLACING BEER KEG	15
4. START UP	16
[a] SWITCHING MODE	16
[b] LEADING BEER TO TAP	16
5. SETTING LIQUID AND FOAM AMOUNTS	16
[a] LARGER MUG SETTING	17
[b] SMALLER MUG SETTING	17
6. DISPENSING	17
[a] AUTOMATIC DISPENSING	17
[b] STOPPING AUTOMATIC DISPENSING	18
[c] MANUAL DISPENSING	18
[d] SWITCHING TO AUTOMATIC DISPENSING MODE	19
7. SOLD OUT SENSOR	19
8. END OF DISPENSING OPERATION	19
9. SHUT DOWN	19
[a] SHUT DOWN	19
[b] DRAINING WATER TANK	20
III. MAINTENANCE	20
1. BASIC CLEANING	20
2. BEER CIRCUIT (DAILY)	21
3. DRAIN PAN AND GRILLE (DAILY)	22
4. PLATFORM (DAILY)	22
5. CLEANING BEER CIRCUIT WITH SPONGE (WEEKLY)	23
6. DISASSEMBLY AND CLEANING OF BEER TAP (WEEKLY)	25
7. KEG COUPLER (WEEKLY)	26
8. EXTERIOR (WEEKLY)	26
9. AIR FILTER (BIWEEKLY)	26
IV. INSPECTION	26
1. COOLING WATER AND ELECTRODE (BIANNUALLY)	26
2. GAS HOSE AND BEER HOSE (MONTHLY)	27
3. ATTACHMENT PLUG AND POWER CORD (ANNUALLY / BIANNUALLY)	27
V. OTHER INFORMATION	27
1. PREPARING THE DISPENSER FOR LONG STORAGE	27
2. BEFORE CALLING FOR SERVICE	28
3. DISPOSAL	29
4. WARRANTY	29
SPECIFICATIONS	30

INFORMATIONS IMPORTANTES RELATIVES A LA SECURITE	31
I. INSTRUCTIONS D'INSTALLATION	33
1. COMPOSANTS	33
2. ACCESSOIRES	34
3. DEBALLAGE	34
4. EMBLACEMENT	35
5. INSTALLATION	35
[a] TIREUSE	36
[b] PLATEAU EGOUTTOIR	36
[c] REGLAGE DE LA PLATEFORME	37
6. BRANCHEMENTS ELECTRIQUES	39
7. BRANCHEMENTS DES CIRCUITS DE GAZ ET DE BIERE	39
[a] Bouteille de CO2	39
[b] RACCORDEMENTS DES TUYAUX	40
[c] CONTROLES A EFFECTUER APRES LES RACCORDEMENTS	41
8. CONTROLES A EFFECTUER APRES L'INSTALLATION	42
9. REGLAGE DU CAPTEUR DE FIN DE FUT (« U07 »)	42
10. PARAMETRES UTILISATEUR	42
II. INSTRUCTIONS D'UTILISATION	43
1. NETTOYAGE DU CIRCUIT DE BIERE	43
2. REMPLISSAGE DU RESERVOIR D'EAU	44
[a] PREPARATION DE L'EAU DE RAFRAICHISSEMENT	44
[b] ALIMENTATION EN EAU DE RAFRAICHISSEMENT	44
3. CONTROLES A EFFECTUER AVANT L'UTILISATION (AU QUOTIDIEN)	45
[a] VERIFICATION DE LA BOUTEILLE DE CO2	45
[b] REMPLACEMENT DE LA BOUTEILLE DE CO2	45
[c] VERIFICATION DU FUT DE BIERE	45
[d] REMPLACEMENT DU FUT DE BIERE	46
4. MISE EN MARCHÉ	47
[a] MODE DE COMMUTATION	47
[b] POMPAGE DE LA BIERE VERS LE ROBINET	47
5. REGLAGE DES QUANTITES DE LIQUIDE ET DE MOUSSE	47
[a] REGLAGE POUR GRANDE CHOPE	48
[b] REGLAGE POUR PETITE CHOPE	48
6. TIRAGE	48
[a] TIRAGE AUTOMATIQUE	48
[b] ARRET DU TIRAGE AUTOMATIQUE	49
[c] TIRAGE MANUEL	49
[d] COMMUTATION VERS LE MODE DE TIRAGE AUTOMATIQUE	50
7. CAPTEUR DE FIN DE FUT	50
8. FIN DU TIRAGE	50
9. ARRET	51
[a] ARRET	51
[b] VIDANGE DU RESERVOIR D'EAU	51
III. ENTRETIEN	51
1. NETTOYAGE DE BASE	52
2. CIRCUIT DE BIERE (AU QUOTIDIEN)	52
3. PLATEAU EGOUTTOIR ET GRILLE (AU QUOTIDIEN)	54
4. PLATEFORME (AU QUOTIDIEN)	54
5. NETTOYAGE DU CIRCUIT DE BIERE A L'AIDE DE L'EPONGE (UNE FOIS PAR SEMAINE)	54
6. DEMONTAGE ET NETTOYAGE DU ROBINET DE BIERE (UNE FOIS PAR SEMAINE)	57
7. RACCORD POUR FUT (UNE FOIS PAR SEMAINE)	57
8. EXTERIEUR (UNE FOIS PAR SEMAINE)	58
9. FILTRE A AIR (TOUTES LES DEUX SEMAINES)	58
IV. INSPECTION	58
1. EAU DE RAFRAICHISSEMENT ET ELECTRODE (DEUX FOIS PAR AN)	58
2. TUYAU DE GAZ ET TUYAU DE BIERE (UNE FOIS PAR MOIS)	59
3. PRISE ET CORDON D'ALIMENTATION ELECTRIQUE (UNE A DEUX FOIS PAR AN)	59
V. INFORMATIONS DIVERSES	59
1. PREPARATION DE LA TIREUSE EN VUE D'UN STOCKAGE PROLONGE	59
2. AVANT D'APPELER UN REPARATEUR	60
3. MISE AU REBUT	61
4. GARANTIE	61
CARACTERISTIQUES	62

DEUTSCH

WICHTIGE SICHERHEITSHINWEISE.....	63
I. INSTALLATIONSANWEISUNGEN.....	65
1. KOMPONENTEN	65
2. ZUBEHÖR.....	66
3. AUSPACKEN	66
4. STANDORT.....	67
5. AUFSTELLUNG	67
[a] ZAPFANLAGE.....	68
[b] ABTROPFSCHALE	68
[c] JUSTIERUNG DER PLATTFORM	69
6. ELEKTRISCHE ANSCHLÜSSE	71
7. ANSCHLUSS VON GAS- UND BIERKREISLAUF.....	71
[a] CO2-PATRONE	71
[b] SCHLAUCHVERBINDUNGEN.....	72
[c] KONTROLLE NACH DER VERBINDUNG	73
8. KONTROLLE NACH DER INSTALLATION	73
9. EINSTELLUNG DES AUSVERKAUFT-SENSORS („U07“)	74
10. BENUTZEREINSTELLUNGEN	74
II. BETRIEBSANWEISUNGEN	75
1. REINIGUNG DES BIERKREISLAUFS.....	75
2. WASSERTANK FÜLLEN	75
[a] ERZEUGEN VON KÜHLWASSER	76
[b] KÜHLWASSERZUFUHR	76
3. KONTROLLE VOR DEM BETRIEB (TÄGLICH)	77
[a] CO2-PATRONE PRÜFEN.....	77
[b] CO2-PATRONE AUSTAUSCHEN	77
[c] BIERFASS PRÜFEN.....	78
[d] BIERFASS WECHSELN	78
4. INBETRIEBNAHME	79
[a] MODUSUMSCHALTUNG	79
[b] FÖRDERN VON BIER ZUM ZAPFHAHN	79
5. EINSTELLEN DER FLÜSSIGKEITS- UND SCHAUMMENGE	79
[a] EINSTELLUNG FÜR DAS GRÖßERE GLAS.....	80
[b] EINSTELLUNG FÜR DAS KLEINERE GLAS	80
6. ZAPFEN	80
[a] AUTOMATISCHE ABGABE	80
[b] AUTOMATISCHE ABGABE ANHALTEN.....	81
[c] MANUELLE ABGABE	81
[d] UMSCHALTEN IN DEN AUTOMATISCHEN ZAPFMODUS.....	82
7. AUSVERKAUFT-SENSOR	82
8. ENDE DES ZAPFBETRIEBS	82
9. ABSCHALTEN	83
[a] ABSCHALTEN	83
[b] ENTLEEREN DES WASSERTANKS.....	83
III. WARTUNG	83
1. GRUNDLEGENDE REINIGUNG.....	84
2. BIERKREISLAUF (TÄGLICH).....	84
3. ABTROPFSCHALE UND GITTER (TÄGLICH).....	86
4. PLATTFORM (TÄGLICH).....	86
5. REINIGEN DES BIERKREISLAUFS MIT EINEM SCHWAMM (WÖCHENTLICH).....	86
6. AUSBAUEN UND REINIGEN DES ZAPFHAHNS (WÖCHENTLICH).....	89
7. ZAPFKOPF (WÖCHENTLICH)	89
8. GEHÄUSE (WÖCHENTLICH).....	90
9. LUFTFILTER (ZWEIWÖCHENTLICH).....	90
IV. KONTROLLE	90
1. KÜHLWASSER UND ELEKTRODE (HALBJÄHRLICH)	90
2. GASSCHLAUCH UND BIERSCHLAUCH (MONATLICH)	91
3. STECKER UND NETZKABEL (JÄHRLICH/HALBJÄHRLICH).....	91
V. WEITERE INFORMATIONEN	91
1. VORBEREITEN DER ZAPFANLAGE FÜR EINE LÄNGERE LAGERUNG	91
2. BEVOR SIE SICH AN DEN KUNDENDIENST WENDEN	92
3. ENTSORGUNG.....	93
4. GARANTIE	93
TECHNISCHE DATEN	94

NEDERLANDS

BELANGRIJKE VEILIGHEIDSINFORMATIE	95
I. INSTALLATIE-INSTRUCTIES	97
1. CONSTRUCTIE	97
2. ACCESSOIRES	98
3. UITPAKKEN	98
4. LOCATIE	99
5. INSTALLATIE	99
[a] TAP	100
[b] LEKBAK	100
[c] PLATFORMINSTELLING	101
6. ELEKTRISCHE AANSLUITINGEN	103
7. AANSLUITINGEN VOOR GAS- EN BIERCIRCUIT	103
[a] CO2-GASCILINDER	103
[b] SLANGVERBINDINGEN	104
[c] CONTROLES NA VERBINDINGEN	105
8. CONTROLES NA INSTALLATIE	105
9. INSTELLEN VAN DE UITVERKOCHTSENSOR ('U07')	106
10. GEBRUIKERSINSTELLINGEN	106
II. BEDIENINGSINSTRUCTIES	107
1. BIERCIRCUIT REINIGEN	107
2. WATERTANK VULLEN	107
[a] KOELWATER MAKEN	107
[b] KOELWATERTOevoER	108
3. CONTROLES VOOR GEBRUIK (DAGELIJKS)	108
[a] CONTROLE VAN CO2-GASCILINDER	108
[b] VERVANGING VAN CO2-GASCILINDER	109
[c] BIERVAT CONTROLEREN	109
[d] BIERVAT VERVANGEN	109
4. OPSTARTEN	110
[a] SCHAKELMODUS	111
[b] BIER NAAR DE TAP LEIDEN	111
5. VLOEISTOF- EN SCHUIMHOEVEELHEID INSTELLEN	111
[a] INSTELLING VOOR GROTE PUL	112
[b] INSTELLING VOOR KLEINE PUL	112
6. TAPPEN	112
[a] AUTOMATISCH TAPPEN	112
[b] AUTOMATISCH TAPPEN STOPPEN	113
[c] HANDMATIG TAPPEN	113
[d] OVERSCHAKELEN OP DE AUTOMATISCHE TAPMODUS	113
7. UITVERKOCHTSENSOR	114
8. EINDE VAN HET TAPPEN	114
9. UITSCHAKELEN	114
[a] UITSCHAKELEN	114
[b] AFTAPPEN VAN DE WATERTANK	114
III. ONDERHOUD	115
1. BASISREINIGING	115
2. BIERCIRCUIT (DAGELIJKS)	116
3. LEKBAK EN ROOSTER (DAGELIJKS)	117
4. PLATFORM (DAGELIJKS)	117
5. BIERCIRCUIT REINIGEN MET EEN SPONS (WEKELIJKS)	118
6. BIERTAP UIT ELKAAR HALEN EN REINIGEN (WEKELIJKS)	120
7. TAPKOP (WEKELIJKS)	121
8. BUITENKANT (WEKELIJKS)	121
9. LUCHTFILTER (ELKE TWEE WEKEN)	121
IV. INSPECTIE	121
1. KOELWATER EN ELEKTRODE (TWEEMAAL PER JAAR)	121
2. GASLANG EN BIERSLANG (MAANDELIJKS)	122
3. STEKKER EN NETSNOER (EEN-/TWEEMAAL PER JAAR)	122
V. OVERIGE INFORMATIE	122
1. DE TAP VOORBEREIDEN OP LANGDURIGE OPSLAG	122
2. VOORDAT U BELT VOOR SERVICE	123
3. AFVOEREN	124
4. GARANTIE	124
SPECIFICATIES	125

INFORMACIÓN DE SEGURIDAD IMPORTANTE	126
I. INSTRUCCIONES DE INSTALACIÓN	128
1. ESTRUCTURA	128
2. ACCESORIOS	129
3. DESEMBALAJE	129
4. UBICACIÓN	130
5. INSTALACIÓN	130
[a] DISPENSADOR	131
[b] BANDEJA DE DRENAJE	131
[c] AJUSTE DE LA PLATAFORMA	132
6. CONEXIONES ELÉCTRICAS	134
7. CONEXIONES DEL CIRCUITO DE GAS Y CERVEZA	134
[a] BOTELLA DE CO2	134
[b] CONEXIONES DEL TUBO	135
[c] COMPROBACIONES UNA VEZ REALIZADAS LAS CONEXIONES	136
8. COMPROBACIONES DESPUÉS DE LA INSTALACIÓN	136
9. CONFIGURACIÓN DEL SENSOR DE CERVEZA AGOTADA (“U07”)	137
10. AJUSTES DE USUARIO	137
II. INSTRUCCIONES DE FUNCIONAMIENTO	138
1. LIMPIEZA DEL CIRCUITO DE CERVEZA	138
2. LLENADO DEL DEPÓSITO DE AGUA	139
[a] CÓMO CREAR AGUA DE REFRIGERACIÓN	139
[b] SUMINISTRO DE AGUA DE REFRIGERACIÓN	139
3. COMPROBACIONES ANTES DE LA UTILIZACIÓN (DIARIAMENTE)	140
[a] COMPROBAR LA BOTELLA DE CO2	140
[b] SUSTITUIR LA BOTELLA DE CO2	140
[c] COMPROBACIÓN DEL BARRIL DE CERVEZA	141
[d] CAMBIAR EL BARRIL DE CERVEZA	141
4. PUESTA EN MARCHA	142
[a] MODO DE CONMUTACIÓN	142
[b] HACER LLEGAR LA CERVEZA AL GRIFO	142
5. CONFIGURACIÓN DE LAS CANTIDADES DE LÍQUIDO Y ESPUMA	142
[a] CONFIGURACIÓN PARA JARRAS GRANDES	143
[b] CONFIGURACIÓN PARA JARRAS PEQUEÑAS	143
6. DISPENSAR	143
[a] DISPENSACIÓN AUTOMÁTICA	143
[b] DETENER LA DISPENSACIÓN AUTOMÁTICA	144
[c] DISPENSACIÓN MANUAL	144
[d] CAMBIAR AL MODO DE DISPENSACIÓN AUTOMÁTICA	145
7. SENSOR DE CERVEZA AGOTADA	145
8. FINAL DE LA OPERACIÓN DE DISPENSACIÓN	145
9. DESCONEXIÓN	146
[a] DESCONEXIÓN	146
[b] DRENAJE DEL DEPÓSITO DE AGUA	146
III. MANTENIMIENTO	146
1. LIMPIEZA BÁSICA	146
2. CIRCUITO DE CERVEZA (DIARIAMENTE)	147
3. BANDEJA DE DRENAJE Y REJILLA (DIARIAMENTE)	149
4. PLATAFORMA (DIARIAMENTE)	149
5. LIMPIAR EL CIRCUITO DE CERVEZA CON UNA ESPONJA (SEMANALMENTE)	149
6. DESMONTAJE Y LIMPIEZA DEL GRIFO DE CERVEZA (SEMANALMENTE)	151
7. ACOPLADOR DEL BARRIL (SEMANALMENTE)	152
8. PARTE EXTERIOR (SEMANALMENTE)	152
9. FILTRO DE AIRE (CADA DOS SEMANAS)	153
IV. INSPECCIÓN	153
1. AGUA DE REFRIGERACIÓN Y ELECTRODO (DOS VECES AL AÑO)	153
2. TUBO DE GAS Y TUBO DE CERVEZA (UNA VEZ AL MES)	154
3. ENCHUFE Y CABLE DE ALIMENTACIÓN (UNA VEZ AL AÑO/DOS VECES AL AÑO)	154
V. OTRAS INFORMACIONES	154
1. PREPARAR EL DISPENSADOR PARA UN ALMACENAMIENTO PROLONGADO	154
2. ANTES DE LLAMAR AL SERVICIO TÉCNICO	155
3. ELIMINACIÓN	156
4. GARANTÍA	156
ESPECIFICACIONES	157

INFORMAZIONI IMPORTANTI SULLA SICUREZZA	158
I. ISTRUZIONI DI INSTALLAZIONE	160
1. STRUTTURA.....	160
2. ACCESSORI	161
3. DISIMBALLAGGIO.....	161
4. UBICAZIONE	162
5. INSTALLAZIONE	162
[a] SPILLATORE	163
[b] VASSOIO DI SCARICO	163
[c] REGOLAZIONE DELLA PIATTAFORMA.....	164
6. COLLEGAMENTI ELETTRICI.....	166
7. CONNESSIONI DEL GAS E DEL CIRCUITO DELLA BIRRA	166
[a] BOMBOLA DI GAS CO2	166
[b] COLLEGAMENTI DEI TUBI	167
[c] CONTROLLI DOPO I COLLEGAMENTI	168
8. CONTROLLI DOPO L'INSTALLAZIONE	168
9. IMPOSTAZIONI DEL SENSORE DI FINE DISPONIBILITÀ ("U07").....	169
10. IMPOSTAZIONI UTENTE	169
II. ISTRUZIONI DI FUNZIONAMENTO.....	170
1. PULIZIA DEL CIRCUITO DELLA BIRRA.....	170
2. RIEMPIMENTO DEL SERBATOIO DELL'ACQUA	170
[a] COME PREPARARE L'ACQUA DI RAFFREDDAMENTO	171
[b] APPROVVIGIONAMENTO DELL'ACQUA DI RAFFREDDAMENTO	171
3. CONTROLLI PRIMA DELL'USO (TUTTI I GIORNI)	172
[a] CONTROLLO DELLA BOMBOLA DI GAS CO2	172
[b] SOSTITUZIONE DELLA BOMBOLA DI GAS CO2.....	172
[c] CONTROLLO DEL FUSTO DELLA BIRRA.....	173
[d] SOSTITUZIONE DEL FUSTO DELLA BIRRA	173
4. AVVIO	174
[a] CAMBIO DI MODALITÀ	174
[b] FAR ARRIVARE LA BIRRA AL RUBINETTO	174
5. IMPOSTAZIONE DELLE QUANTITÀ DI LIQUIDO E SCHIUMA	174
[a] IMPOSTAZIONE BOCCALE GRANDE.....	175
[b] IMPOSTAZIONE BOCCALE PICCOLO.....	175
6. EROGAZIONE	175
[a] EROGAZIONE AUTOMATICA.....	175
[b] INTERRUZIONE DELL'EROGAZIONE AUTOMATICA	176
[c] EROGAZIONE MANUALE	176
[d] PASSAGGIO ALLA MODALITÀ EROGAZIONE AUTOMATICA	177
7. SENSORE DI FINE DISPONIBILITÀ	177
8. FINE DELL'EROGAZIONE	177
9. SPEGNIMENTO.....	178
[a] SPEGNIMENTO.....	178
[b] SVUOTAMENTO DEL SERBATOIO DELL'ACQUA.....	178
III. MANUTENZIONE	178
1. PULIZIA DI BASE.....	178
2. CIRCUITO DELLA BIRRA (TUTTI I GIORNI)	179
3. VASSOIO DI SCARICO E GRIGLIA (TUTTI I GIORNI).....	181
4. PIATTAFORMA (TUTTI I GIORNI)	181
5. PULIZIA DEL CIRCUITO DELLA BIRRA CON LA SPUGNA (UNA VOLTA ALLA SETTIMANA)....	181
6. SMONTAGGIO E PULIZIA DEL RUBINETTO DELLA BIRRA (UNA VOLTA ALLA SETTIMANA) ...	184
7. INNESTO DEL FUSTO (UNA VOLTA ALLA SETTIMANA)	184
8. ESTERNO (UNA VOLTA ALLA SETTIMANA).....	185
9. FILTRO DELL'ARIA (OGNI DUE SETTIMANE).....	185
IV. ISPEZIONE.....	185
1. ACQUA DI RAFFREDDAMENTO ED ELETTRODO (DUE VOLTE L'ANNO).....	185
2. TUBO DEL GAS E TUBO DELLA BIRRA (UNA VOLTA AL MESE).....	186
3. SPINA ELETTRICA E CAVO DI ALIMENTAZIONE (UNA VOLTA/DUE VOLTE L'ANNO)	186
V. ALTRE INFORMAZIONI	186
1. PREPARAZIONE DELL'EROGATORE PER UNA CONSERVAZIONE PROLUNGATA	186
2. PRIMA DI RICHIEDERE L'INTERVENTO DEL SERVIZIO DI ASSISTENZA	187
3. SMALTIMENTO	188
4. GARANZIA	188
SPECIFICHE	189

IMPORTANT SAFETY INFORMATION

Throughout this manual, notices appear to bring your attention to situations which could result in death, serious injury, or damage to the unit.

▲WARNING	Indicates a hazardous situation which, if not avoided, could result in death or serious injury.
▲CAUTION	Indicates a hazardous situation which, if not avoided, could result in minor or moderate injury.
NOTICE	Indicates a hazardous situation which, if not avoided, could result in damage to the unit.
▲HYGIENE	Indicates important precautions for hygiene and food safety.
IMPORTANT	Indicates important information about the use and care of the unit.

This automatic draft beer dispenser uses HFC-free refrigerant (isobutane) and HFC-free foam insulation that are non-ozone-depleting and environmentally sustainable materials having very low global warming potential.

▲WARNING	
This automatic draft beer dispenser contains flammable refrigerant in its cooling unit; installation, handling, servicing and disposal must therefore only be carried out by authorized technicians.	
The refrigerant contained in this automatic draft beer dispenser is flammable and sealed in the refrigeration system. Although the refrigerant does not leak out under normal usage, take utmost care when handling this automatic draft beer dispenser so as not to cause any damages to the system.	
In the case of accidental damage to the refrigeration system causing refrigerant leak:	
<ul style="list-style-type: none"> * Do not create a source of ignition in the area. * Do not operate electrical switches or plugs in the area. * Do not use naked flame. * Immediately ventilate the area by opening doors and/or windows. * Call service engineer. 	

IMPORTANT	
This booklet is an integral and essential part of the product and should be kept and preserved by the user.	
Please read carefully the guidelines and warnings contained herein as they are intended to provide the installer/user with essential information for the proper installation and the continued safe use and maintenance of the product.	
Please preserve this booklet for any further consultation that may be necessary.	

▲WARNING

This is a commercial automatic draft beer dispenser, and should be destined only to be used for the purpose for which it has been expressly designed.

Any other use should be considered improper and therefore dangerous. The manufacturer will not be held liable or responsible for any damage caused by improper, incorrect and unreasonable use.

The installation, and relocation if necessary, must be carried out by qualified personnel, in accordance with current regulations, according to the manufacturer's instructions.

Keep ventilation openings, in the appliance enclosure or in the built-in structure, clear of obstruction.

Do not damage the refrigerating circuit.

The maintenance operations must be conducted by trained person. Access to the service area is restricted to persons having knowledge and practical experience of the appliance, in particular as far as safety and hygiene are concerned.

The use of any electrical appliance involves the observance of some fundamental rules. In particular:

- * Instances of high humidity and moisture increase the risk of electrical short circuits and potential electrical shocks. If in doubt, disconnect the dispenser.
- * Do not damage the power cord or pull it in order to disconnect the dispenser from the electrical supply network.
- * If the supply cord and/or the plug should need to be replaced, it should only be done by a qualified service engineer.
- * Do not touch the electrical parts or operate the switches with damp hands.
- * This appliance is not intended for use by persons (including children) with reduced physical, sensory or mental capabilities, or lack of experience and knowledge, it can however be used by children aged from 8 years and above and persons with reduced physical, sensory or mental capabilities, or lack of experience and knowledge providing they have been given supervision or instruction concerning use of the appliance by a person responsible for their safety.
- * Children shall not play with the appliance.
- * Cleaning and user maintenance shall not be made by children without supervision.
- * Do not attempt to modify the dispenser. Only qualified personnel may disassemble or repair the appliance.

When positioning the appliance, ensure the supply cord is not trapped or damaged.

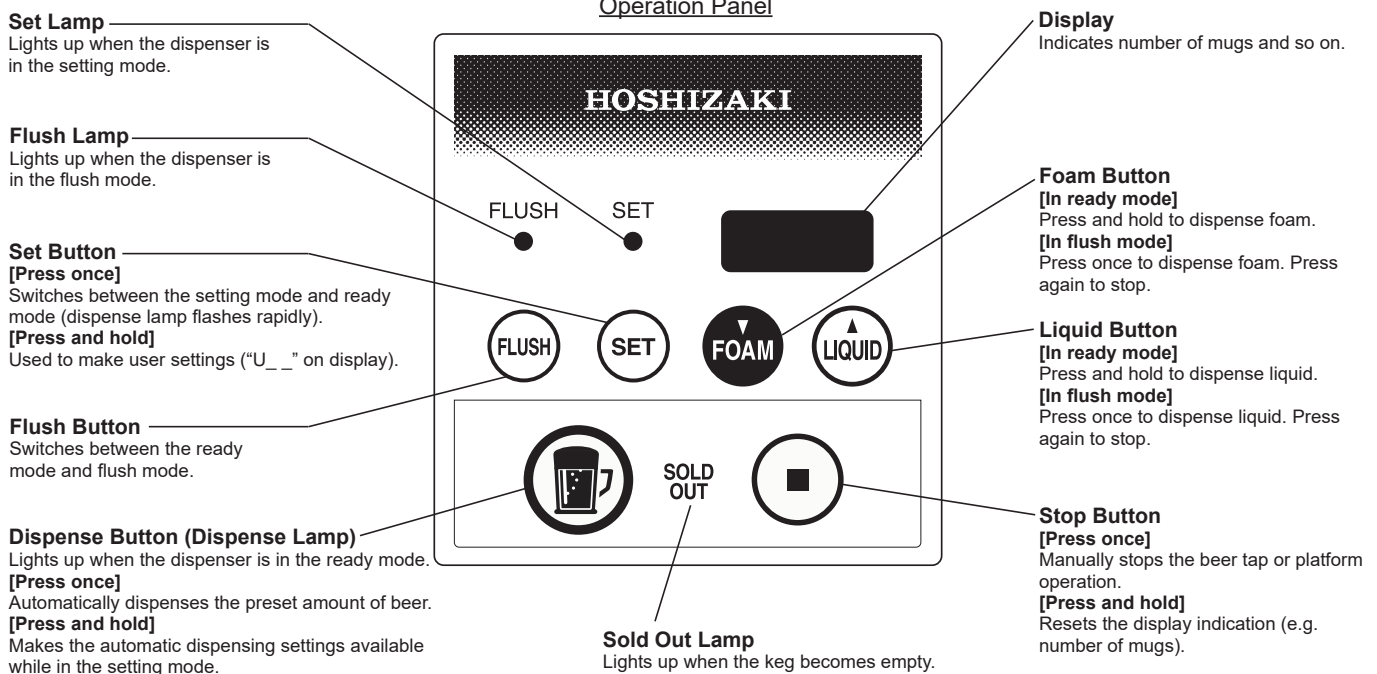
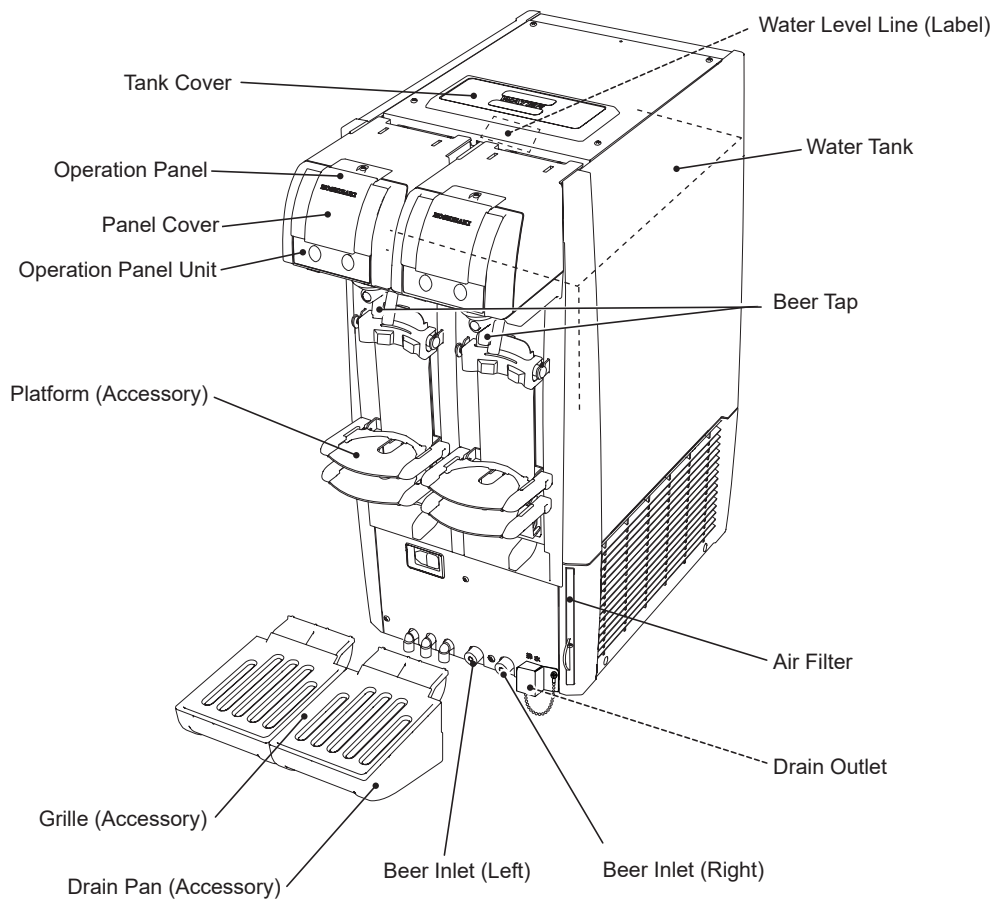
Do not locate multiple portable socket-outlets or portable power supplies at the rear of the appliance.



The meaning of this ISO 7010 W021 symbol is:
Warning: Risk of fire

I. INSTALLATION INSTRUCTIONS

1. CONSTRUCTION



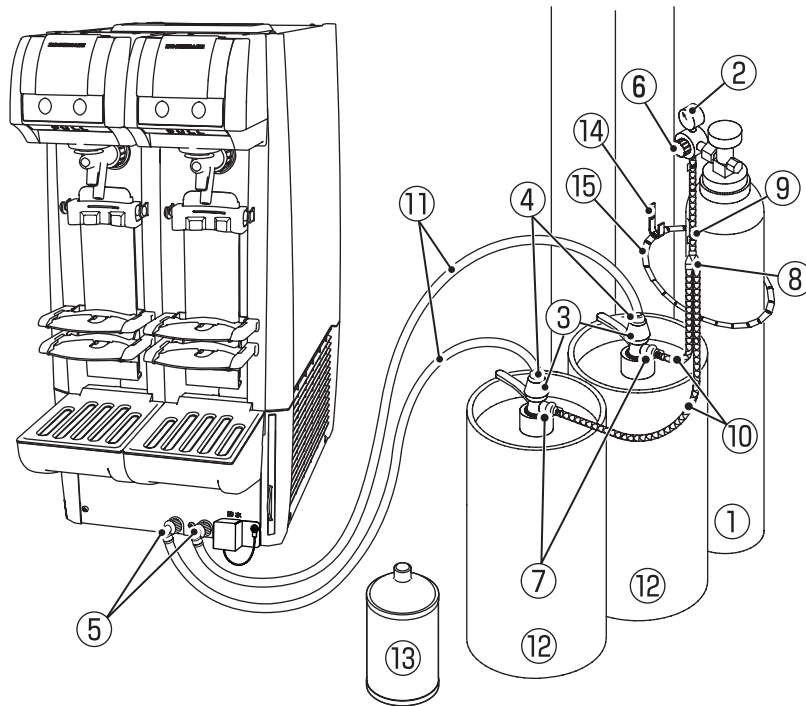
NOTICE

Open the panel cover to access the buttons and lamps other than the dispense button (dispense lamp), sold out lamp and stop button.

To prevent damage to the panel cover, do not open it by force.

ENGLISH

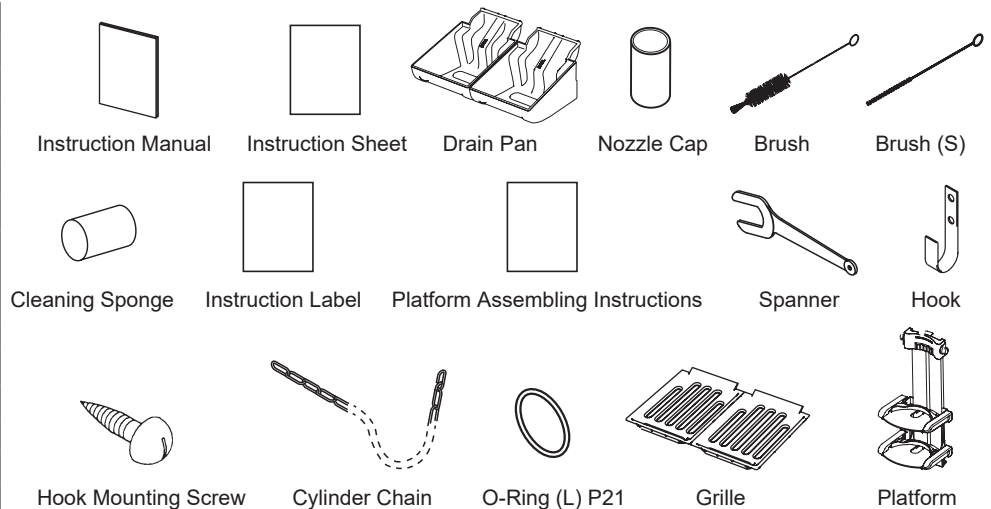
Prepare and install the following equipment. Consult with the liquor shop, beer company or distributor to prepare the regulator, keg coupler and CO2 gas cylinder designed for the beer to dispense.



- [1] CO2 Gas Cylinder
- [2] Regulator
- [3] Keg Coupler
- [4] Quick Beer Hose Joint (Coupler Side)
- [5] Quick Beer Hose Joint (Dispenser Side)
- [6] Quick Gas Hose Joint (Regulator Side)
- [7] Quick Gas Hose Joint (Coupler Side)
- [8] Y-Tee
- [9] Gas Hose (Short)
- [10] Gas Hose (Long)
- [11] Beer Hose
- [12] Beer Keg
- [13] Cleaning Tank
- [14] Hook (Accessory)
- [15] Cylinder Chain (Accessory)

2. ACCESSORIES

Instruction Manual	1
Instruction Sheet	1
Drain Pan	2
Nozzle Cap	8
Brush	1
Brush (S)	1
Cleaning Sponge	6
Instruction Label	1
Platform Assembling Instructions	1
Spanner	1
Hook	1
Hook Mounting Screw	2
Cylinder Chain	1
O-Ring (L) P21	1
Grille	2
Platform	2



3. UNPACKING

⚠ WARNING

Children should not be allowed in reach of the packaging elements (plastic bags and expanded polystyrene) as they are potential sources of danger.

⚠ CAUTION

Do not lift or manoeuvre the carton by using the shipping bands.

When moving the unit by hand, hold the unit bottom.

Do not hold the beer tap to lift up the unit. The beer tap may be damaged or the unit may fall causing injury.

Always wear protective gloves when carrying the unit.

When handling the carton or the unpacked unit, work in pair to prevent injury.

NOTICE

Remove shipping carton, tape(s) and packing. If packing material is left in the dispenser, it will not work properly.

To prevent damage, do not tilt the dispenser more than 45°.

- 1) After removing the packaging, make sure that the dispenser is in good condition. If in doubt, please do not use the dispenser but apply to professionally qualified personnel.
- 2) Remove the protective plastic film from the exterior. If the dispenser is exposed to the sun or to heat, remove the film after the dispenser cools.
- 3) Remove the package of accessories. Check the contents according to "2. ACCESSORIES".

4. LOCATION

⚠ WARNING

This dispenser is not intended for outdoor use.

The dispenser should not be located next to ovens, grills or other high heat producing equipment.

This appliance is not suitable for installation in an area where a water jet could be used.

⚠ CAUTION

The location should provide a firm and level foundation for the dispenser.

NOTICE

Do not place anything to obstruct the ventilation louvers.

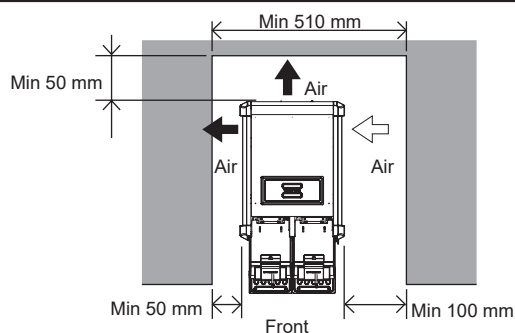
IMPORTANT

Normal operating ambient temperature should be within 5°C to 32°C, cooling water temperature not more than 25°C, and beer keg temperature within 10°C to 30°C. Operation of the dispenser, for extended periods, outside of these normal temperature ranges may affect production capacity.

Allow 10 mm extra space at the installation site to meet any installation requirements (additional spacing is also required for proper air flow and pipe connections).

Keep the dispenser away from direct sunlight.

Allow the clearance specified below for proper air circulation and ease of maintenance and/or service should they be required.



In some high humidity environments, condensation may form inside the machine and drip onto the floor. Do not install where the floor can be affected by water.

Avoid prolonged exposure of the appliance to direct sunlight.

5. INSTALLATION

⚠ CAUTION

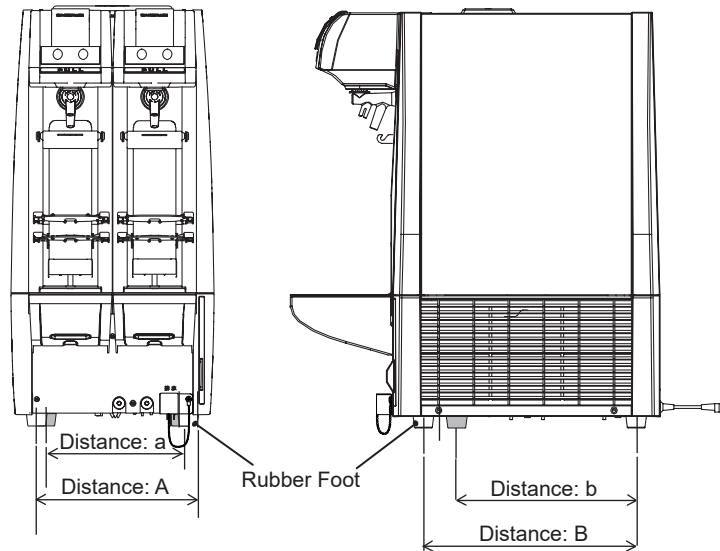
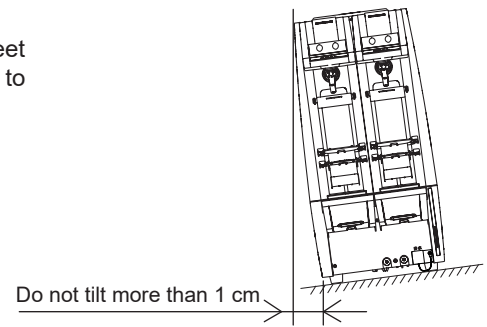
Incorrect installation can cause harm to people, animals or other items, for which the manufacturer cannot be held responsible.

ENGLISH

[a] DISPENSER

The front rubber feet can be moved backward from their original position. If the feet cannot fit within the installation space on the counter or table, use a screwdriver to remove the front feet from the bottom and refit at the following positions.

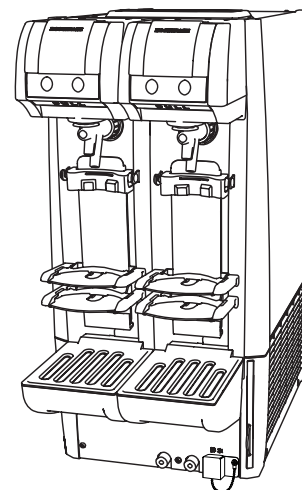
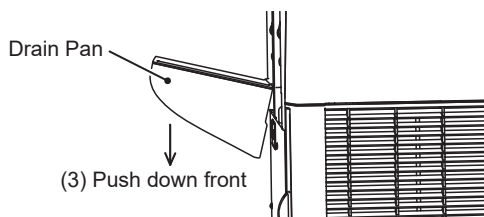
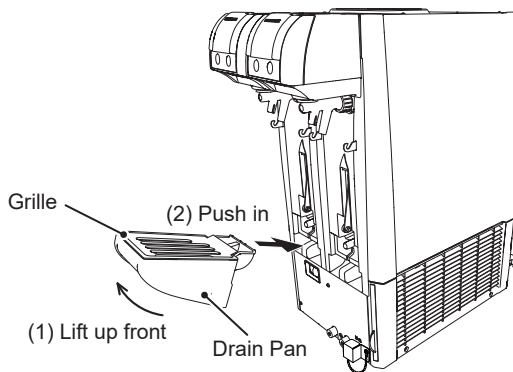
Factory Setting	Distance: A	274 mm
	Distance: B	388 mm
After Adjustment	Distance: a	244 mm
	Distance: b	328 mm



[b] DRAIN PAN

To attach the drain pan (accessory) and grille (accessory):

- (1) lift up the front of the drain pan,
- (2) push the drain pan securely into the drain pan support, and
- (3) push down the front of the drain pan.

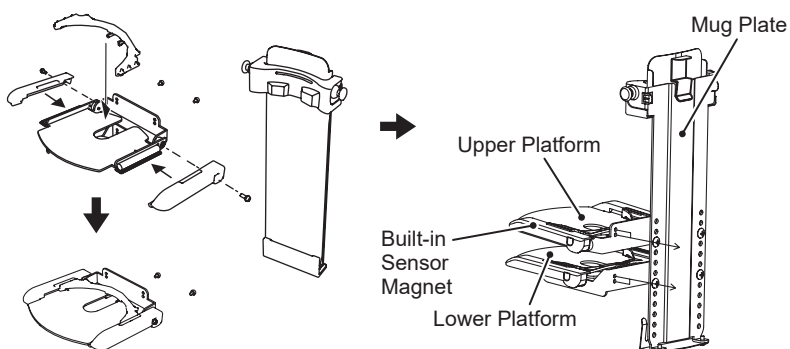


After installation of accessories

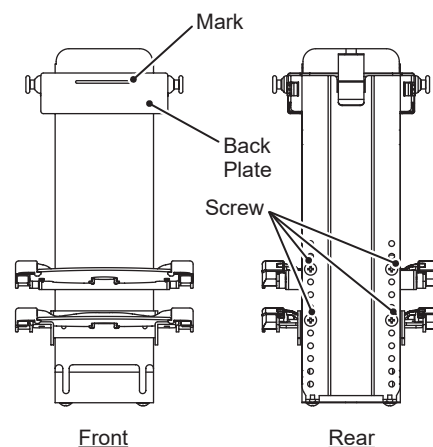
[c] PLATFORM ADJUSTMENT

The upper and lower platform positions are adjustable to accommodate two different mug heights. The guide can also be moved back and forth according to the mug shape.

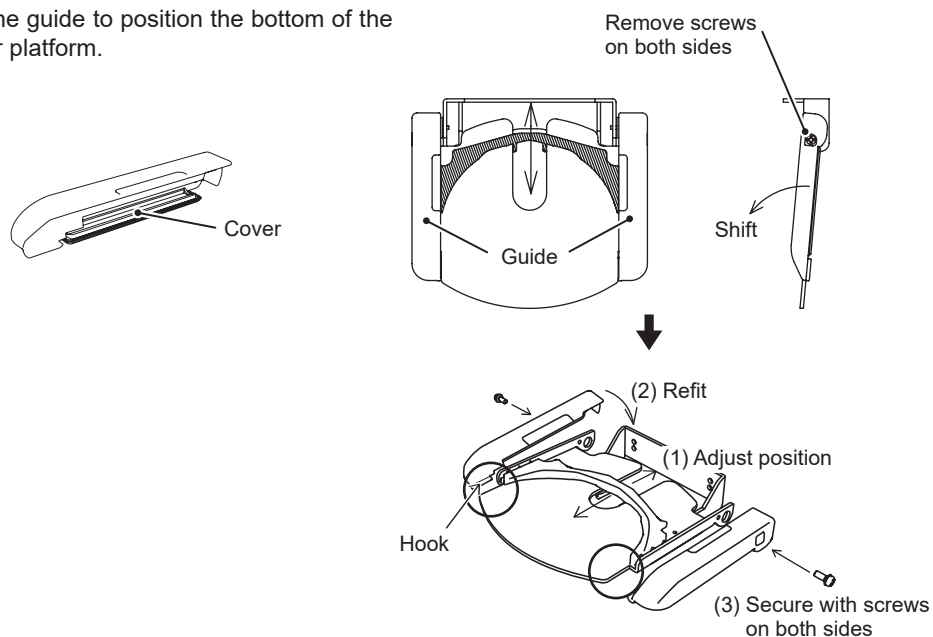
- 1) The platform assembly has the components as shown on the right.



- 2) Move the platform in the desired position and secure it with the screws.
The upper platform position is adjustable between the 1st and 7th levels of the mug plate, and the lower platform position between the 4th and 12th levels. The top of the mug must fit the mark on the back plate when positioned on the platform. (See the table on the next page for the mug heights and platform positions.)



- 3) After adjusting the platform positions, fit the guide to position the bottom of the mug. The guide with cover is for the upper platform.

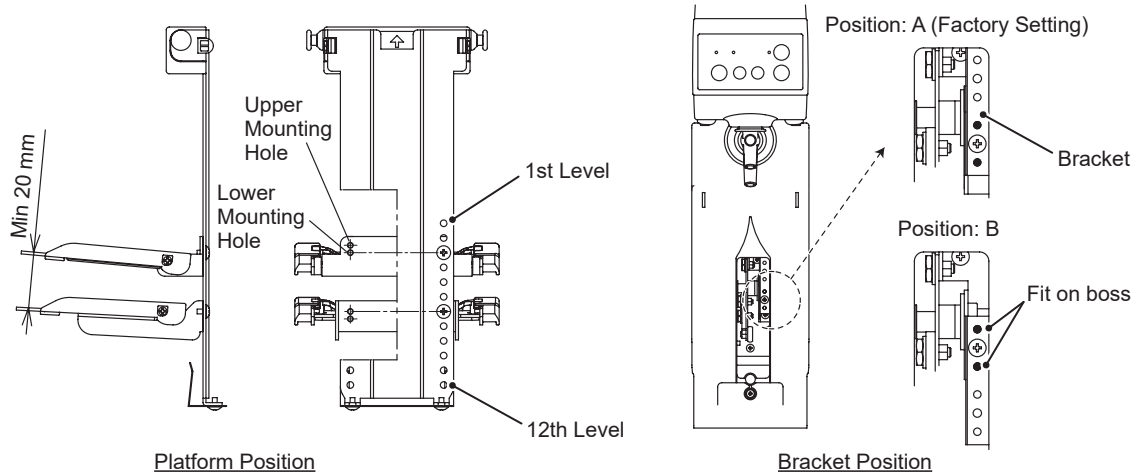


- 4) Refit the platforms to the unit.

NOTICE

When adjusting the upper platform position, also adjust the bracket position according to the table on the next page.

ENGLISH



Mug Plate Level	Upper Platform			Lower Platform			
	Mounting Hole	Mug Height (mm)	Bracket Position	Mounting Hole	Mug Height (mm)		
1	Lower	135	A	Not available			
	Upper	140					
2	Lower	145					
	Upper	150					
3	Lower	155					
	Upper	160					
4	Lower	165	B	Lower	155		
	Upper	170		Upper	160		
5	Lower	175		Lower	165		
	Upper	180		Upper	170		
6	Lower	185		Lower	175		
	Upper	190		Upper	180		
7	Lower	195	Lower	185			
	Upper	200	Upper	190			
8	Not available			Lower	195		
9				Upper	200		
				Lower	205		
10				Upper	210	Lower	215
				Lower	215	Upper	220
11				Lower	225	Lower	225
	Upper	230	Upper	230			
12	Lower	235	Lower	235			
	Upper	240	Upper	240			

Note:

- 1) Mug diameter: 50 mm inside diameter to 105 mm outside diameter and bottom diameter
- 2) The larger mug must be at least 20 mm higher than the smaller mug.

6. ELECTRICAL CONNECTIONS

⚠ WARNING

THIS APPLIANCE MUST BE EARTHED

This dispenser requires an earth that meets the national and local electrical code requirements.

To prevent possible severe electrical shock to individuals or extensive damage to the unit, install a proper earth wire to the dispenser.

Remove the plug from the mains socket before any maintenance, repairs or cleaning is undertaken.

⚠ CAUTION

The maximum allowable voltage variation should not exceed ± 10 percent of the rated voltage. Operation of the unit outside of this range may cause smoking, ignition, damage to the unit or reduction of the performance.

* This appliance requires a separate power supply. The electrical supply must be protected by a suitable circuit breaker.

* Usually an electrical permit and services of a licensed electrician are required.

* If the supply cord is damaged, it must be replaced by a replacement cord available from your dealer/supplier.

7. GAS AND BEER CIRCUIT CONNECTIONS

[a] CO2 GAS CYLINDER

⚠ WARNING

Use a CO2 gas cylinder designed for use with beer. Use of any other cylinders may cause explosion or air pollution.

While carrying the CO2 gas cylinder, keep the cap closed and avoid any impact on the cylinder to prevent the risk of explosion or gas leaks.

Keep the CO2 gas cylinder away from direct sunlight or temperatures above 40°C to avoid excessive temperature rise and explosion.

The regulator must be provided with an undamaged gasket to prevent the risk of gas leaks. If not, contact the liquor shop, beer company or distributor to install a new gasket.

Stand the CO2 gas cylinder upright, and fix it securely with the accessory chain to prevent overturn resulting in injury or explosion.

Keep your face away from the CO2 gas cylinder while blowing dirt and dust off the regulator joint. Dust getting in your eyes can cause visual impairment.

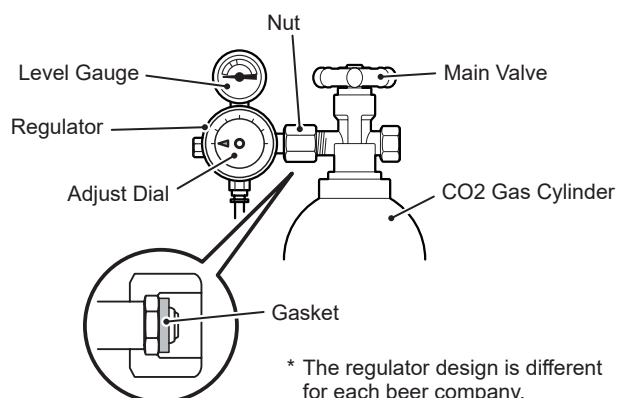
Handle the regulator with care to avoid any impact, or it may not work properly and the beer keg or hose can explode.

Before opening the main valve of the CO2 gas cylinder or removing the keg coupler from the beer keg, set the regulator to "0". Otherwise, sudden application of gas pressure on the beer keg may cause explosion or blow-off of the keg coupler.

1) Open the main valve of the new CO2 gas cylinder for a second to blow dirt and dust off the joint (together with CO2 gas).

2) Check the regulator gasket. If it is damaged or not provided, install a new gasket. (Contact the liquor shop, beer company or distributor.)

3) Install the regulator securely on the CO2 gas cylinder.



NOTICE

Tighten the nut by hand first, then with the spanner (accessory) so that the level gauge will be upright.

4) Open the main valve by turning it counterclockwise, and check the regulator nut for gas leak (sound). If gas is leaking, the nut must be loose or the gasket must be damaged or not provided.

Note: To check for gas leaks, apply a sponge with soap to the joint. Bubbles form if gas is leaking.

ENGLISH

[b] HOSE CONNECTIONS

⚠ WARNING

To prevent the risk of gas leaks and hose explosion, do not use any hoses other than specified by the beer company.

Cut the hose end to have a vertical cutting plane and insert it securely into the quick hose joint to ensure a leak-free joint.

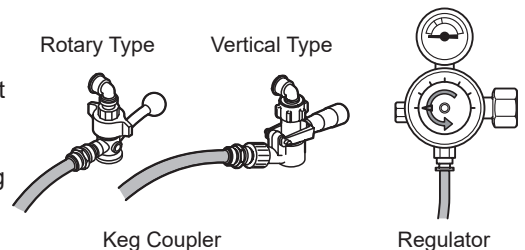
NOTICE

Do not reconnect the hoses without cutting them about 20 mm.

Cut the hoses with a specialized tool such as hose cutter. Do not use scissors, or the hoses may be crushed to cause leaks.

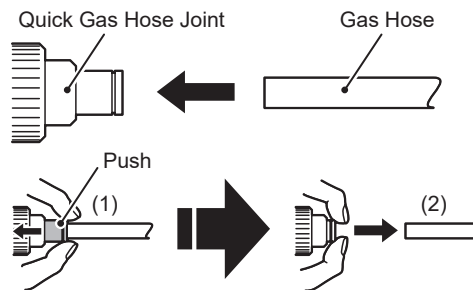
CO2 Gas Hose

- 1) Cut the CO2 gas hose to have a vertical cutting plane and a hose length not more than 1.4 m.
- 2) Insert the CO2 gas hose securely into the quick gas hose joint on the keg coupler and regulator. Pull the hose hard to check for tightness.



Quick Gas Hose Joint

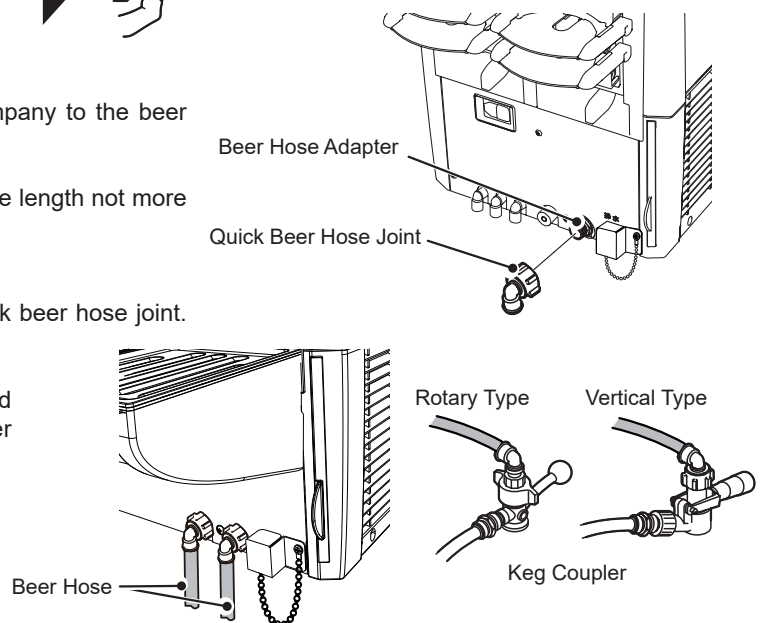
- 1) To connect the CO2 gas hose, push it all the way in.
- 2) To disconnect the CO2 gas hose, push and hold part (1) with fingers and pull out the hose (2).



Beer Hose

- 1) Attach the quick beer hose joint specified by the beer company to the beer hose adapter.
- 2) Cut the beer hose to have a vertical cutting plane and a hose length not more than 2.1 m.
- 3) Insert the beer hose securely into the keg coupler and quick beer hose joint. Pull the hose hard to check for tightness.

Note: It depends on the beer company how to connect and disconnect the beer hose to and from the quick beer hose joint.



[c] CHECKS AFTER CONNECTIONS

- 1) Wash the cleaning tank thoroughly and fill it with tap water.

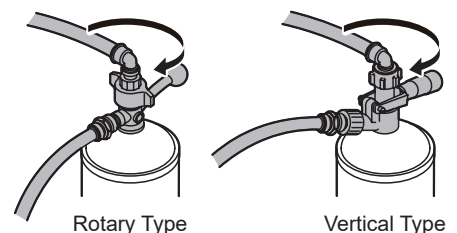
Note: If the cleaning tank is not clean, the beer circuit will be contaminated.

- 2) Turn the keg coupler clockwise to attach it to the cleaning tank.

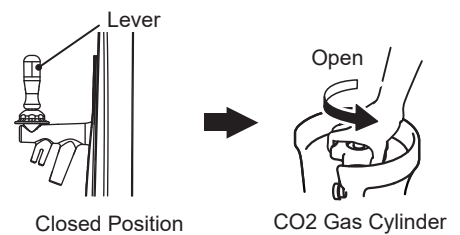
Note: Wash the joint between the keg coupler and cleaning tank if it is not clean.

- 3) Lift up and remove the platform.

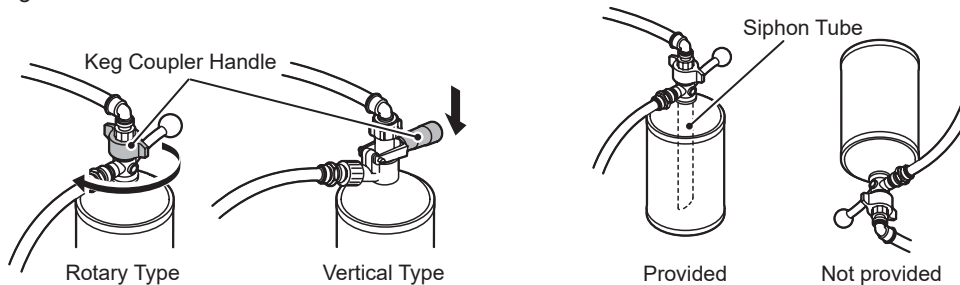
- 4) Place a bucket on the drain pan to receive cleaning water.



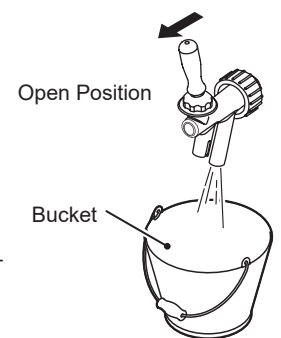
- 5) Check that the beer tap lever is in the closed (normal) position. Open the main valve of the CO2 gas cylinder by turning it counterclockwise a few times.
- 6) Turn the regulator adjust dial to set the pressure to "0.15" (MPa).
- 7) Open the beer circuit.
 Rotary type: Turn the keg coupler handle clockwise until it stops.
 Vertical type: Push down the keg coupler handle until it locks in place.



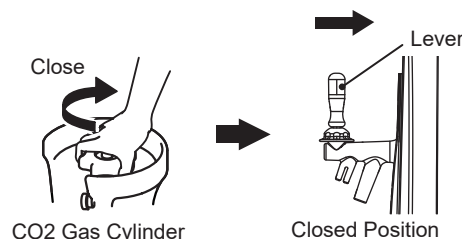
Note: If the cleaning tank is provided with a siphon tube, lay the cleaning tank with the ferrule at the top. If not, lay the cleaning tank with the ferrule at the bottom.



- 8) Pull the beer tap lever toward you to pour water out of the liquid nozzle.
- 9) Check the CO2 gas circuit for gas leaks. If it is leaking, correct the hose connections.
- 10) Check the beer circuit for water leaks. If it is leaking, correct the hose connections.



- 11) Keep the beer tap lever in the open position and turn the regulator adjust dial to set the pressure to "0" (MPa).
- 12) Close the main valve of the CO2 gas cylinder by turning it clockwise.
- 13) When CO2 gas stops coming out of the nozzle, push the beer tap lever back to the closed position.



8. CHECKS AFTER INSTALLATION

- 1) Fill the water tank with the specified water. See "II. 2. FILLING WATER TANK".
- 2) Flush the beer circuit and check for water leaks. See "III. 2. BEER CIRCUIT (DAILY)".
- 3) Check for proper power supply voltage.
- 4) Plug in the unit.

* Check that the refrigeration unit and agitator motor start.
 (In low temperature conditions, the condenser fan motor may not start until the condenser temperature goes up.)

* After 8 to 13 hours (depending on ambient/water temperature), open the top cover and check that ice is stored in the water tank.

- 5) Instruct the user on how to operate the unit.
- 6) Hand this instruction manual to the user.

9. SOLD OUT SENSOR SETTING ("U07")

Choose among the four modes according to the type of beverage to dispense (e.g. beer, cocktail).

- 1) Lower the operation panel unit on the desired side.
- 2) Press and hold the set button on the operation panel to show "U01" on the display.
- 3) Use the foam button or liquid button to show "U07" on the display.

ENGLISH

4) Press the set button to show the current number on the display. Use the foam button or liquid button to choose the desired number (see table below). Press the set button to set the flashing number.

No.	Setting
0	Setting A (mainly beer)
1	Setting B (mainly cocktail)
2	Setting C (mainly cocktail)
3	Setting D (optional)

Note: The sold out sensor is factory set to "0: Setting A (mainly beer)". The setting depends on the brand of beverage to dispense. Check with your dealer/supplier.

5) Press the set button again to show "U07" on the display. Press and hold the set button for more than 3 seconds to complete the setting.

Note: If no operation is performed for more than 1 minute, the dispensing mode is resumed. In that case, go back to step 2) above.

10. USER SETTINGS

To make or change settings:

Press and hold the set button for 3 seconds to enter the setting mode (see "9. SOLD OUT SENSOR SETTING ("U07)").

To complete settings:

With "U__" on the display, press and hold the set button for 3 seconds to enter the dispensing mode.

The dispensing mode is also resumed if no operation is performed for more than 1 minute.

Item		Description	Default	Setting Range
U01	Digital display (in dispensing mode)	0: No indication 1: Number of mugs (*) * Number switches between the larger and smaller mugs when the mug setting is changed. * To reset, press and hold the stop button for 3 seconds.	0	0 - 1
U02	Log of number of mugs	Log of number of mugs for each reset in descending order * Log is indicated in turn for each keg replacement by "U04". * Log is indicated for both larger and smaller mugs when the mug setting is changed. * To reset all the current and past logs, press and hold the stop button for 3 seconds. This reset is not counted for "U04".	0	Up to 5 logs
U03	Number of flush cycles	Number of flush cycles performed * A flush cycle consists of liquid button operation (total 10 seconds) + foam button operation (total 3 seconds) in the flush mode except when no automatic dispensing action is made during the cycle. * To reset, press and hold the stop button for 3 seconds.	0	0 - 9999
U04	Number of keg replacements (reset frequency)	Reset frequency for number of mugs * Keg replacement is counted every time the number of kegs is reset by the stop button operation. * To reset, press and hold the stop button for 3 seconds.	0	0 - 9999
U05	Dispense lamp brightness	Adjustment of dispense lamp brightness	6	1 - 8
U06	Dispense lamp flashing duration	Adjustment of dispense lamp flashing duration after completion of dispensing * The dispense lamp flashes to prevent another mug is placed while foam is still dripping. * Automatic dispensing action is not available while the lamp is flashing.	1	0 - 10
U07	Sold out sensor setting	0: Setting A (mainly beer) / threshold: 2.2V 1: Setting B (mainly cocktail) / threshold: 2.5V 2: Setting C (mainly cocktail) / threshold: 2.8V 3: Setting D (optional) / threshold: optional * The setting depends on the brand of beverage to dispense. Check with your dealer/supplier.	0	0 - 3

U08	Self mode setting	0: No 1: Yes (no button operation is available except dispense/stop button) * The self mode is reset when the manual dispensing mode is selected (by lifting up the operation panel unit). To resume the self mode, switch to the automatic dispensing mode (by pulling down the operation panel unit) and press the dispense button.	0	0 - 1
U09	Mug tilting operation	0: Yes (mug is tilted while beer is being dispensed) 1: No (mug is kept upright while beer is being dispensed)	0	0 - 1
U10	Reset number of mugs	0: Manual 1: Manual or when sold out sensor detects * To reset manually, press and hold the stop button for 3 seconds.	0	0 - 1
U90	Reset settings	Initialize only the user settings * To initialize, with "1" shown on the display, press and hold the stop button for 3 seconds. * If the settings are updated, "U90" appears on the display. If not updated, "0" appears again.	0	0 - 1

II. OPERATING INSTRUCTIONS

1. CLEANING BEER CIRCUIT

Although the beer circuit is cleaned before shipping, clean it again before use. See "III. 2. BEER CIRCUIT (DAILY)". Check that the parts are installed in their correct positions. See "I. 1. CONSTRUCTION".

2. FILLING WATER TANK

NOTICE

Use only the specified water to fill the water tank. Use of any other water or mixture of salt, vinegar or juice may cause insufficient ice storage, corrosion or perforation.

[a] HOW TO MAKE COOLING WATER

IMPORTANT

Carefully read this before filling the water tank.

Electric conductivity (E.C.) of cooling water for water tank

Do not use tap water.

Fill the water tank with water having 100-300 $\mu\text{S}/\text{cm}$ of E.C.

Measure the electric conductivity with conductivity meter.

* E.C.: Physical property to show the ability of conducting electricity.

Unit: μS (microsiemens)/cm

Below 100 $\mu\text{S}/\text{cm}$:

Compressor may not work resulting in poor cooling performance.

Above 300 $\mu\text{S}/\text{cm}$:

Excessive ice may build up on evaporator and freeze beer inside beer coil preventing beer from being dispensed properly.

How to make cooling water with 100-300 $\mu\text{S}/\text{cm}$ of E.C.

The capacity of the water tank of this unit is approx. 30 L.

Make the cooling water by dissolving 5 g of pure baking soda in approx. 10 L of distilled water, and then add approx. 20 L of distilled water to fill the water tank.

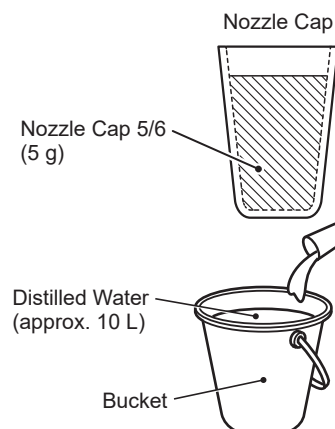
Step 1

Measure 5 g of pure baking soda with nozzle cap (accessory).

Step 2

Fill a bucket with approx. 10 L of distilled water and stir well after adding the 5 g of baking soda measured in step 1.

Rinse the nozzle cap after use.



ENGLISH

[b] COOLING WATER SUPPLY

⚠ WARNING

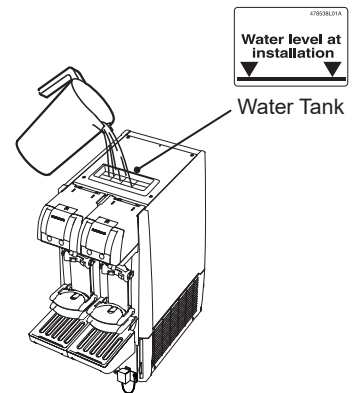
Before filling the water tank, turn off the power switch (earth leakage breaker) and unplug the unit.

NOTICE

Do not splash water on the electrical parts.

Do not fill the water tank above the water level line, or the drain pan will overflow and spill water.

- 1) Remove the top cover.
- 2) Pour the bucket (approx. 10 L) of cooling water prepared.
- 3) Fill the water tank up with approx. 20 L of distilled water to the water level line marked inside the water tank.
- 4) Use a conductivity meter if measuring the electric conductivity.
- 5) Close the top cover.



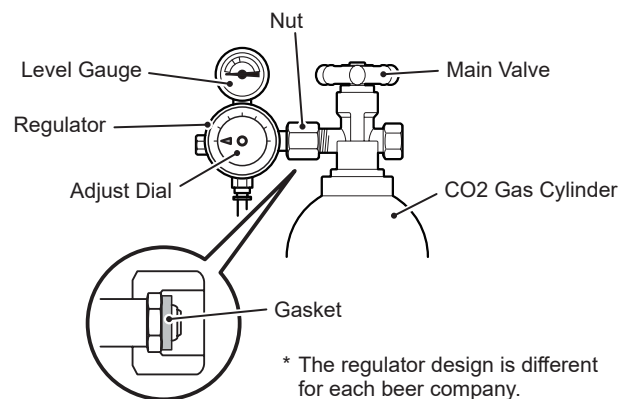
3. CHECKS BEFORE OPERATION (DAILY)

[a] CHECKING CO2 GAS CYLINDER

Open the main valve of the CO2 gas cylinder, and check the gas pressure by the level gauge of the regulator:

* If the level gauge reading is not more than 3 MPa or falls into the yellow zone, the cylinder contains little CO2 gas.

* If the level gauge reading is not more than 1 MPa or falls into the red zone, replace with a new cylinder.

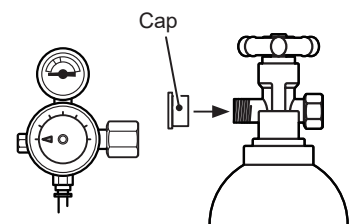


[b] REPLACING CO2 GAS CYLINDER

- 1) Close the main valve of the CO2 gas cylinder by turning it clockwise.
- 2) Turn the regulator adjust dial to set the pressure to "0" (MPa).
- 3) Use the spanner (accessory) to loosen the nut and remove the regulator from the CO2 gas cylinder.

Note: Be sure to cap the CO2 gas cylinder.

- 4) Open the main valve of the new CO2 gas cylinder for a second to blow dirt and dust off the joint (together with CO2 gas).
- 5) Check the regulator gasket. If it is damaged or not provided, install a new gasket. (Contact the liquor shop, beer company or distributor.)
- 6) Install the regulator securely on the CO2 gas cylinder.



NOTICE

Tighten the nut by hand first, then with the spanner (accessory) so that the level gauge will be upright.

- 7) Open the main valve by turning it counterclockwise, and check the regulator nut for gas leak (sound). If gas is leaking, the nut must be loose or the gasket must be damaged or not provided.

Note: To check for gas leaks, apply a sponge with soap to the joint. Bubbles form if gas is leaking.

- 8) Turn the regulator adjust dial to set to an appropriate pressure as shown below.

⚠ WARNING

The CO₂ gas pressure on the beer keg must not exceed 0.37 MPa. Otherwise, the beer keg or hose can explode resulting in injury.

The CO₂ gas pressure on the beer keg prevents separation of CO₂ gas from beer. The higher the beer keg temperature is, the easier the CO₂ gas separates and a higher gas pressure is required.

Beer Keg Temperature	Gas Pressure
10°C	0.20 MPa (Scale 2)
20°C	0.22 MPa (Scale 2.2)
30°C	0.32 MPa (Scale 3.2)

Note: The values are for reference only. Set to the appropriate pressure specified by the beer company.

[c] CHECKING BEER KEG

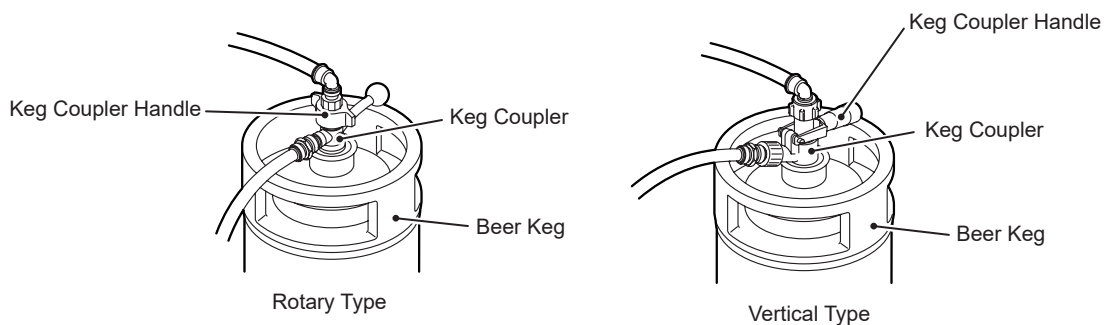
If the sold out lamp comes on and no more beer is dispensed, replace the beer keg.
Do not store an open beer keg in a refrigerator. But keep it under 30°C.

[d] REPLACING BEER KEG

⚠ WARNING

Do not loosen the ferrule on the beer keg, or inside pressure may blow off the ferrule resulting in injury.

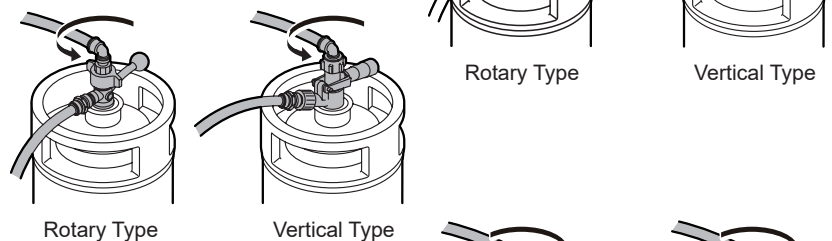
Handle the beer keg with care to avoid vibration. Rolling or shaking the beer keg can cause excessive foaming.



- 1) Close the beer circuit.
Rotary type: Turn the keg coupler handle counterclockwise until it stops.
Vertical type: Unlock and lift the keg coupler handle all the way up.

- 2) Turn the regulator adjust dial to set the pressure to "0" (MPa).

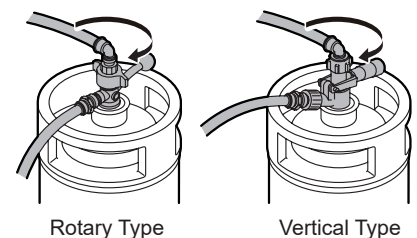
- 3) Turn the keg coupler counterclockwise to remove it from the beer keg.



- 4) Turn the keg coupler clockwise to attach it to the new beer keg.

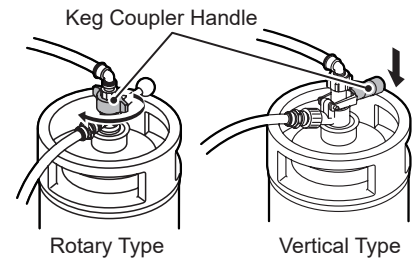
Note: Wash the joint between the keg coupler and beer keg if it is not clean.

- 5) Turn the regulator adjust dial to set to an appropriate pressure according to the beer keg temperature. See "[b] REPLACING CO₂ GAS CYLINDER".



ENGLISH

- 6) Open the beer circuit.
Rotary type: Turn the keg coupler handle clockwise until it stops.
Vertical type: Push down the keg coupler handle until it locks in place.



- 7) Before dispensing beer, lead beer to the beer tap according to "4. [b] LEADING BEER TO TAP".

4. START UP

⚠ WARNING

In case of a gas leak, turn off the main gas supply and ventilate the room. To prevent sparks and resulting fire and explosion, do not unplug the unit.

Do not use combustible spray or place volatile and flammable substances near the unit. They could catch fire from sparks.

If the power goes off, contact your dealer/supplier. To prevent electric shock or fire, do not turn it back on.

In case of trouble, unplug the unit or disconnect the main power supply, and immediately contact your dealer/supplier. To prevent possible electric shock or fire, do not keep the unit in operation.

- 1) Plug in the unit.
- 2) The refrigeration unit and agitator motor start.

IMPORTANT

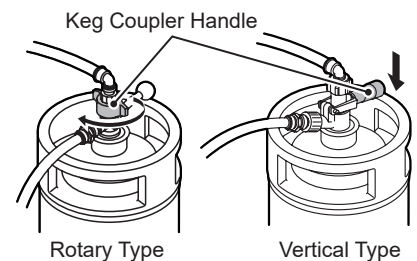
It takes about 8 to 13 hours from startup to completion of ice storage in the water tank. Dispensed beer may not be cold enough until ice production completes.

[a] SWITCHING MODE

Each push of the flush button on the operation panel will switch between the ready mode and flush mode. In the ready mode, the dispense lamp lights up. In the flush mode, the flush lamp lights up.

[b] LEADING BEER TO TAP

- 1) Check that the regulator adjust dial is set to the appropriate pressure specified by the beer company.
- 2) Open the beer circuit.
Rotary type: Turn the keg coupler handle clockwise until it stops.
Vertical type: Push down the keg coupler handle until it locks in place.
- 3) Place a mug on the platform.
- 4) Press and hold the foam button to purge air out of the beer circuit through the foam nozzle. Release the foam button when no more air is purged and a steady flow of foam is obtained. When beer reaches the sold out sensor, the sold out lamp goes off and the ready lamp comes on.
- 5) Press the liquid button to check that clear beer is dispensed. Release the liquid button to stop beer.



IMPORTANT

If the liquid nozzle is used to purge air out of the beer circuit, liquid will splash out together with gas. When connecting or replacing a beer keg, always use the foam nozzle to purge air.

5. SETTING LIQUID AND FOAM AMOUNTS

⚠ CAUTION

To reduce the risk of injury, do not put your fingers behind the platform while it is moving.

IMPORTANT

The liquid and foam amounts are adjusted by visual check of dispensed beer and button operation. The set amounts vary with the CO2 gas pressure. Readjustment is necessary every time the CO2 gas pressure is changed.

The setting is available for any two mug sizes. Place the larger mug on the lower platform and the smaller mug on the upper platform. The larger mug must be at least 2 cm higher than the smaller mug.

The automatic dispensing is intended for a standard glass mug. To avoid excessive foaming, do not use a paper cup or ceramic mug.

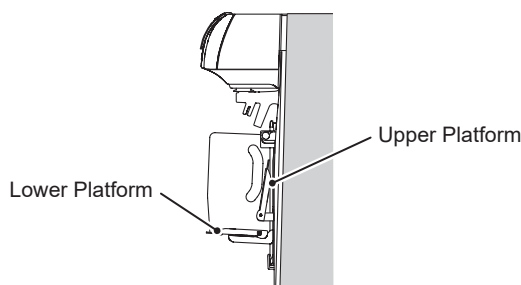
The set amounts may vary depending on the ambient temperature, beer keg temperature, use condition and remaining beer level.

The tolerance of set amounts is about 30 mL per 400 mL mug. The CO2 gas pressure must be adjusted according to the beer keg temperature. The set amounts may vary depending on the performance of the regulator controlling the CO2 gas pressure. If the set amounts vary too much, the regulator must be replaced.

Empty the drain pan frequently before it overflows onto the floor. The cooling water inside the water tank absorbs moisture in the air and flows through the overflow hose into the drain pan.

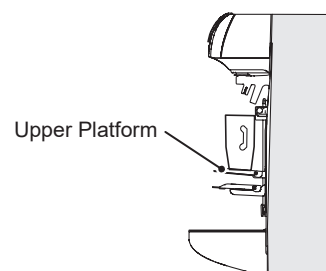
[a] LARGER MUG SETTING

- 1) Flip up the upper platform (accessory). Place a clean mug on the lower platform (accessory) with its back against the wall.
- 2) Press the set button. The set lamp lights up and the dispense lamp flashes.
- 3) Press and hold the dispense button to raise the platform up to an angle of 40 degrees.
- 4) While pressing the dispense button, press and hold the liquid button. When the desired amount of liquid is dispensed, release the liquid button only. The platform stays at an angle.
- 5) While pressing the dispense button, choose how to move the platform back to the original position.
To move the platform while dispensing liquid, press and hold the liquid button for the desired dispensing duration.
To move the platform without dispensing liquid, press the stop button.
- 6) [If no foam is needed, skip step 6) and go to step 7).]
While pressing the dispense button, press and hold the foam button. When the desired amount of foam is dispensed, release the foam button only. To add more foam, press the foam button again.
- 7) Release the dispense button to complete the larger mug setting. The set lamp goes off and the dispense lamp stops flashing and stays on. If the setting fails to complete, go back to step 2).



[b] SMALLER MUG SETTING

- 1) Flip down the upper platform. Place a clean mug on the upper platform with its back against the wall.
- 2) See steps 2) to 7) in "[a] LARGER MUG SETTING".



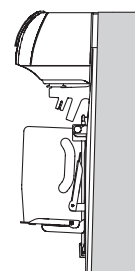
6. DISPENSING

IMPORTANT

Serve beer in accordance with the applicable local regulations.

[a] AUTOMATIC DISPENSING

- 1) Check that the beer tap is not dripping. Place a clean mug on the same platform as used for the setting.



ENGLISH

- 2) Press the dispense button. The unit automatically dispenses the set amount of liquid and foam.

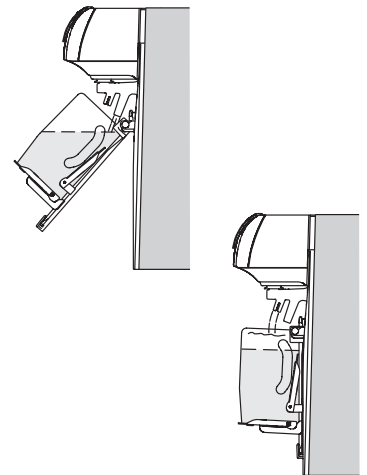
IMPORTANT

The mug tilting operation is factory set to "0: Yes" (mug is tilted while beer is being dispensed).

- 3) To add more foam, press and hold the foam button until the desired amount of foam is dispensed.

IMPORTANT

Place a mug on the platform after the beer tap stops dripping remaining foam.



[b] STOPPING AUTOMATIC DISPENSING

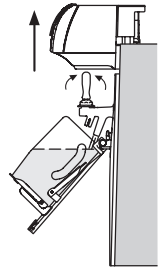
IMPORTANT

If power failure occurs during the dispensing operation and the operation panel unit is lifted up, do not pull it down by force after power supply is resumed, but contact your dealer/supplier.

If the display shows an error code (E_ _), turn off the power supply and turn it back on. If the display still shows the error code, contact your dealer/supplier.

To stop the automatic dispensing operation halfway through:

- 1) Press the stop button. The platform stops at that position.
When the stop button is pressed again, the platform goes back to the original position.
- 2) If the dispensing operation does not stop with the stop button pressed, lift up the operation panel unit. The beer tap lever comes off the operation panel unit and goes back to the closed position. If beer still keeps running, move the lever back and forth.



CAUTION

To reduce the risk of injury, do not put your fingers into the bottom opening of the operation panel unit while it is lifted up.

- 3) Close the keg coupler attached to the beer keg. See "II. 3. [d] REPLACING BEER KEG".

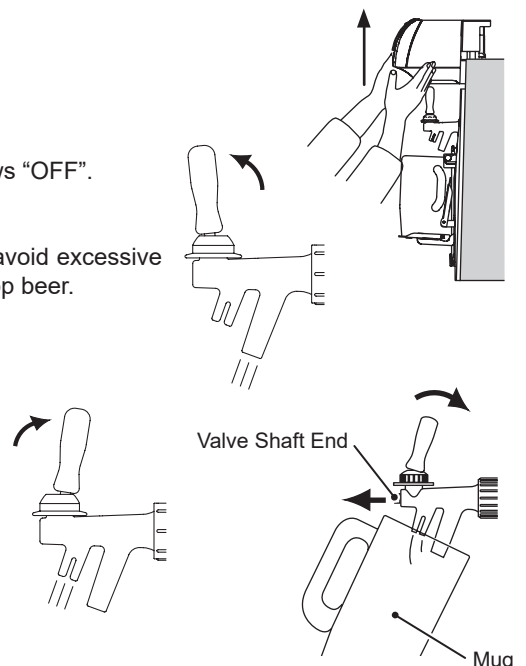
To stop the automatic dispensing operation in case of power failure or error:

Follow steps 2) and 3) above.

[c] MANUAL DISPENSING

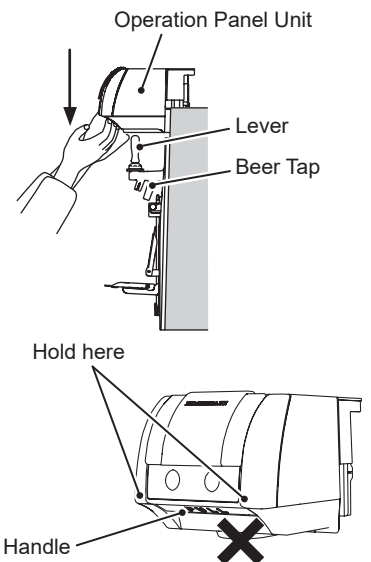
- 1) Lift up the operation panel unit slowly until it locks into place. The display shows "OFF".
- 2) To dispense beer, pull the beer tap lever quickly toward you until it stops. To avoid excessive foaming, do not pull the lever slowly or stop it halfway. Release the lever to stop beer.
- 3) To dispense foam, push the beer tap lever quickly away from you until it stops. To avoid liquid foam, do not stop the lever halfway. Release the lever to stop foam.

Note: When the beer tap lever is pushed during manual dispensing operation, the valve shaft end comes out. Be careful not to hit the mug on the shaft.



[d] SWITCHING TO AUTOMATIC DISPENSING MODE

- 1) Hold the bottom of the operation panel unit and pull the front handle toward you to unlock.
- 2) Pull down the operation panel unit until it stops to cover up the beer tap lever. The dispense lamp comes on.



⚠ CAUTION

To prevent injury, do not hold the cross-marked part but hold the curved surface at the front side when pulling down the operation panel unit.

To avoid damage, do not pull down the operation panel unit by force without unlocking the handle.

7. SOLD OUT SENSOR

When the beer keg becomes empty, the unit automatically detects the condition and stops the dispensing operation. The sold out lamp lights up, and the dispense button becomes unavailable.

IMPORTANT

The sold out sensor is factory set to "0: Setting A (mainly beer)".

In the manual dispensing mode, the unit will not stop dispensing even if the sold out lamp lights up. Be careful with the keg level while dispensing beer.

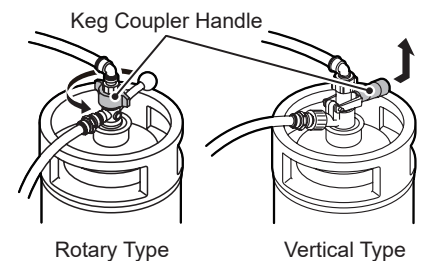
When the sold out lamp lights up, replace the beer keg. See "3. [d] REPLACING BEER KEG" and "4. [b] LEADING BEER TO TAP".

8. END OF DISPENSING OPERATION

- 1) Close the beer circuit.
 - Rotary type: Turn the keg coupler handle counterclockwise until it stops.
 - Vertical type: Unlock and lift the keg coupler handle all the way up.

IMPORTANT

When the keg coupler on the keg is closed, gas may stay inside the beer circuit. To prevent excessive foaming or improper dispensing actions, lead beer into the beer circuit until gas comes out of the beer tap before starting operation on the following day. See "4. [b] LEADING BEER TO TAP".

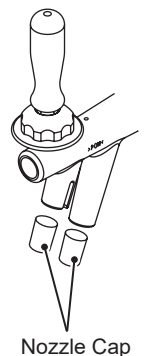


- 2) Flush the beer circuit according to "III. 2. BEER CIRCUIT (DAILY)".
- 3) Turn the regulator adjust dial to set the pressure to "0" (MPa).
- 4) Close the main valve of the CO2 gas cylinder by turning it clockwise.

Note: To prevent too much CO2 gas entering the beer keg, always close the main valve of the CO2 gas cylinder at the end of dispensing operation.

- 5) Wipe off moisture from the end of the beer tap nozzles. Clean and attach the nozzle caps (accessory).

Note: Always attach the accessory nozzle caps at the end of dispensing operation or during periods of non-use to prevent entrance of insects or dirt into the beer tap nozzles.



9. SHUT DOWN

[a] SHUT DOWN

- 1) Check that the keg coupler is closed. See "8. END OF DISPENSING OPERATION".

Note: If the keg coupler is open, the floor can be wet in the event of beer leakage.

ENGLISH

2) Unplug the unit. The refrigeration unit and agitator motor stop.

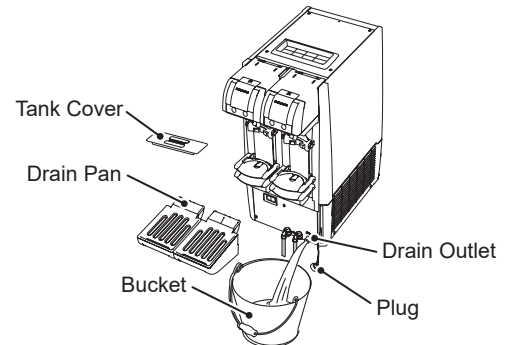
[b] DRAINING WATER TANK

▲HYGIENE

When shutting down the dispenser for more than a week, drain the water tank to prevent water contamination.

Note: It takes a few days after shutdown to melt ice in the water tank. Before draining the water tank, shut down the unit in advance and check that ice has melted in the water tank. Otherwise, it cannot be drained completely.

- 1) Remove the drain pan (accessory). See "III. 3. DRAIN PAN AND GRILLE (DAILY)".
- 2) Place a bucket with a capacity of at least 35 L in front of the unit. Remove the plug from the drain outlet to drain the water tank.
- 3) After draining the water tank, remove the top cover to dry the water tank interior.



III. MAINTENANCE

▲WARNING

Before carrying out any cleaning or maintenance operations, unplug the dispenser from the electrical supply network.

This appliance must not be cleaned by use of a water jet.

NOTICE

To prevent possible damage, do not clean the plastic parts with water above 40°C or in a dishwasher.

Use a neutral cleaner for daily maintenance and invert soap (benzalkonium chloride) for sanitization.

To prevent damage to the painted or plastic surfaces, do not use thinner, benzine, alcohol, petroleum, soap powder, polishing powder, alkaline detergent, acid, scrub brush, and especially cleanser for use on fans and cooking ranges. Also, to prevent corrosion, do not use a chlorine bleach (sodium hypochlorite).

When using chemical wipes, follow the manufacturer's instructions.

Use a clean cloth with clean hands.

More frequent cleaning may be required in some cases.

▲HYGIENE

When using invert soap or sodium hypochlorite, thoroughly read and understand the instructions provided to prevent potential health problems.

At the end of dispensing operation, clean the beer circuit every day to prevent contamination.

Clean your hands before handling or cleaning the parts.

1. BASIC CLEANING

- 1) Wash your hands.
- 2) Prepare clean cloths.
- 3) Unplug the unit.
- 4) Mix about 10 mL of 10% invert soap (benzalkonium chloride) solution in 1 L of warm water (30 to 40°C). Damp a dry cloth to wipe the parts clean.
- 5) After 3 minutes, wipe off any remaining soap with a cloth containing cold or warm water. Then, wipe dry with a clean cloth.

IMPORTANT

Any remaining cleaning solution may damage the metal and plastic surfaces.

To remove dirt buildup, use a neutral cleaner and rinse with tap water.

2. BEER CIRCUIT (DAILY)

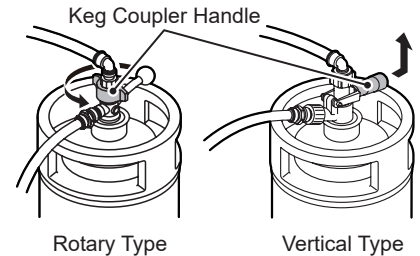
To flush the beer circuit, use the cleaning tank specified by the beer company. Follow the instructions provided with the cleaning tank.

1) Press the flush button on the operation panel. Check that the flush lamp lights up.

2) Close the beer circuit.

Rotary type: Turn the keg coupler handle counterclockwise until it stops.

Vertical type: Unlock and lift the keg coupler handle all the way up.



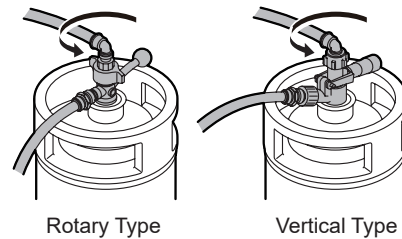
3) Turn the regulator adjust dial to set the pressure to "0" (MPa).

4) Close the main valve of the CO2 gas cylinder by turning it clockwise.

5) Press the liquid button to dispense the beer left in the circuit.

6) When no more beer comes out, press the stop button.

7) Turn the keg coupler counterclockwise to remove it from the beer keg.

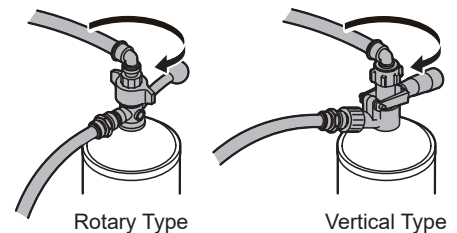


8) Wash the cleaning tank thoroughly and fill it with tap water.

Note: If the cleaning tank is not clean, the beer circuit will be contaminated.

9) Turn the keg coupler clockwise to attach it to the cleaning tank.

Note: Wash the joint between the keg coupler and cleaning tank if it is not clean.



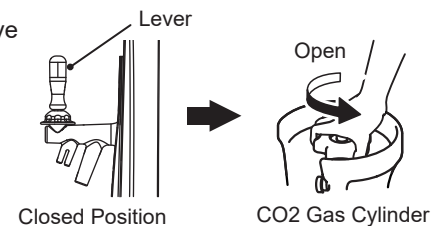
10) Check that the beer tap lever is in the closed (normal) position. Open the main valve of the CO2 gas cylinder by turning it counterclockwise a few times.

11) Turn the regulator adjust dial to set the pressure to "0.15" (MPa).

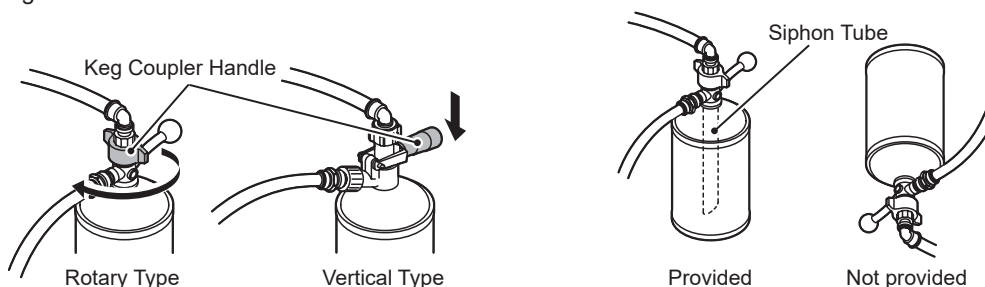
12) Open the beer circuit.

Rotary type: Turn the keg coupler handle clockwise until it stops.

Vertical type: Push down the keg coupler handle until it locks in place.



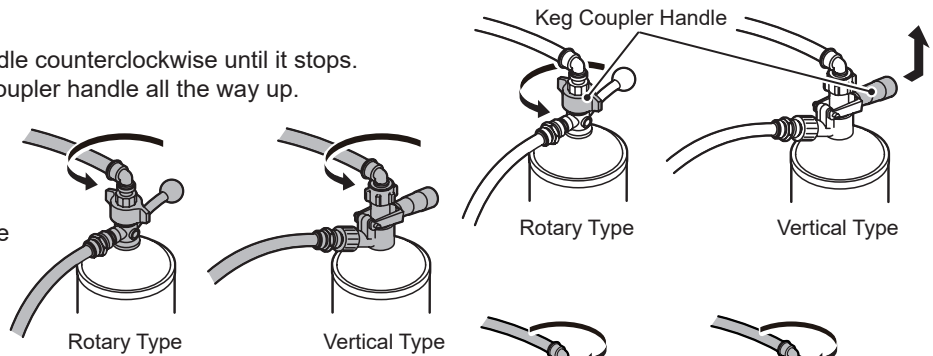
Note: If the cleaning tank is provided with a siphon tube, lay the cleaning tank with the ferrule at the top. If not, lay the cleaning tank with the ferrule at the bottom.



ENGLISH

- 13) Remove the platforms and drain pan and place a bucket under the beer tap.
- 14) Press the liquid button to dispense water from the liquid nozzle. Repeat a few times until no more water comes out. Then, press the foam button to dispense water from the foam nozzle. Repeat a few times until no more water comes out.
- 15) When no more water comes out of the nozzle, keep the beer tap lever in the open position and turn the regulator adjust dial to set the pressure to "0" (MPa).
- 16) Close the main valve of the CO2 gas cylinder by turning it clockwise.
- 17) When CO2 gas stops coming out of the nozzle, press the stop button to close the beer tap.

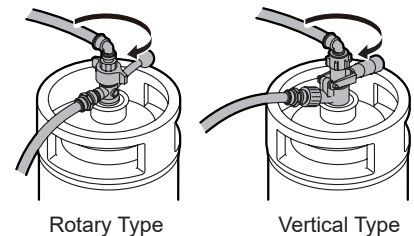
- 18) Close the beer circuit.
 Rotary type: Turn the keg coupler handle counterclockwise until it stops.
 Vertical type: Unlock and lift the keg coupler handle all the way up.



- 19) Turn the keg coupler counterclockwise to remove it from the cleaning tank.

- 20) Turn the keg coupler clockwise to attach it to the beer keg.

Note: Wash the joint between the keg coupler and beer keg if it is not clean.



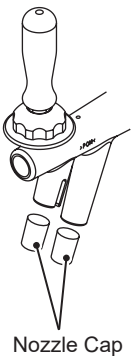
- 21) Wash the cleaning tank interior thoroughly, turn the tank upside down to dry, and cap it tightly for storage.

- 22) Set the platform on the arms.

- 23) Press the flush button on the operation panel. Check that the flush lamp goes off and the sold out lamp comes on.

- 24) Wipe off moisture from the end of the beer tap nozzles. Clean and attach the nozzle caps (accessory).

Note: Always attach the accessory nozzle caps at the end of dispensing operation or during periods of non-use to prevent entrance of insects or dirt into the beer tap nozzles.



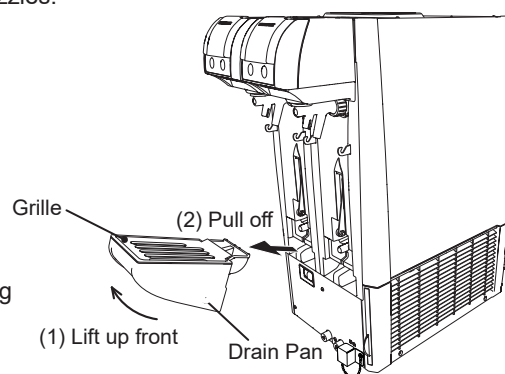
3. DRAIN PAN AND GRILLE (DAILY)

- 1) Lift up the front of the drain pan and pull it off toward you.

Note: Be careful not to spill water and beer in the drain pan.

- 2) Wash the grille and drain pan with tap water.

- 3) Set the grille on the drain pan and fit the drain pan by pushing it securely into the drain pan support.



4. PLATFORM (DAILY)

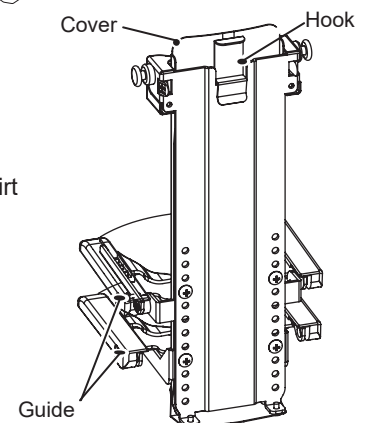
- 1) Slightly lift up and remove the platform from the arms.

- 2) Lift the cover off the platform.

- 3) Wash the cover and platform with tap water. Use warm water and a cloth or sponge to remove dirt buildup in the gaps.

- 4) Insert the cover into the platform until it hooks up.

- 5) Refit the platform to the arms.



NOTICE

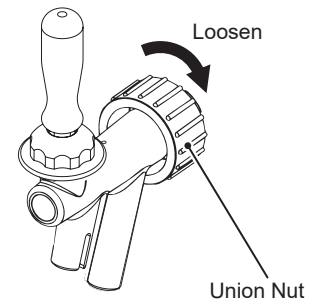
Handle the platform with care. If it is dropped and damaged, proper mug size detection may not be available.

If the platform is damaged, contact your dealer/supplier.

5. CLEANING BEER CIRCUIT WITH SPONGE (WEEKLY)

To flush the beer circuit, use the cleaning tank specified by the beer company. Follow the instructions provided with the cleaning tank.

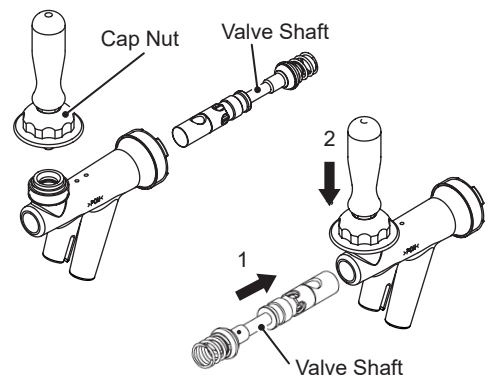
- 1) Follow the steps of "2. BEER CIRCUIT (DAILY)".
- 2) Lift up the operation panel unit slowly until it locks into place.
- 3) Turn the union nut clockwise to remove the beer tap.



NOTICE

Handle the beer tap with care and do not drop it.

- 4) Loosen the cap nut to disassemble the beer tap. Fit the valve shaft in the opposite direction and tighten the cap nut.



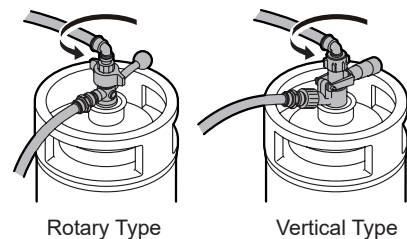
NOTICE

Attach the valve shaft in the opposite direction to prevent the cleaning sponge from clogging the beer tap.

Handle the valve shaft with care. If it is deformed or damaged, beer may leak.

Handle the beer tap lever with care and do not drop it.

- 5) Attach the beer tap on the unit by turning the union nut counterclockwise.
- 6) Remove the accessory drain pan and grille. See "3. DRAIN PAN AND GRILLE (DAILY)".
- 7) Place a bucket under the beer tap to receive cleaning water.
- 8) Turn the keg coupler counterclockwise to remove it from the beer keg.



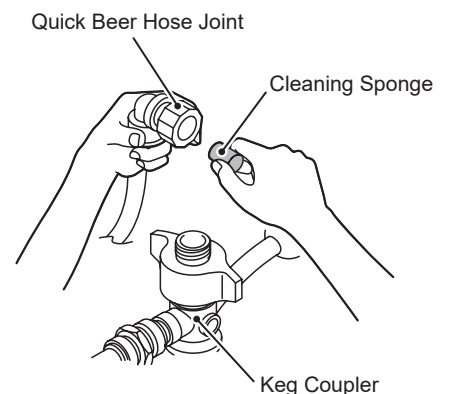
- 9) Remove the quick beer hose joint from the keg coupler, and put only one cleaning sponge (accessory) into the joint.

NOTICE

Use of more than one cleaning sponge or a non-accessory sponge can cause clogging of the beer circuit. In such case, contact your dealer/supplier.

- 10) Attach the quick beer hose joint to the keg coupler.
- 11) Wash the cleaning tank thoroughly and fill it with tap water.

Note: If the cleaning tank is not clean, the beer circuit will be contaminated.



ENGLISH

12) Turn the keg coupler clockwise to attach it to the cleaning tank.

Note: Wash the joint between the keg coupler and cleaning tank if it is not clean.

13) Open the main valve of the CO2 gas cylinder by turning it counterclockwise a few times.

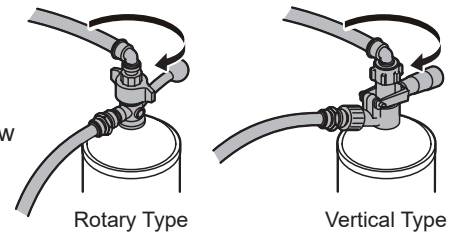
14) Turn the regulator adjust dial to set the pressure to "0.15" (MPa).

15) Open the beer circuit.

Rotary type: Turn the keg coupler handle clockwise until it stops.

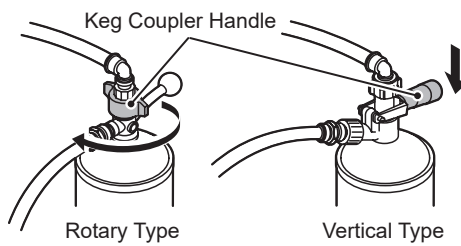
Vertical type: Push down the keg coupler handle until it locks in place.

Note: If the cleaning tank is provided with a siphon tube, lay the cleaning tank with the ferrule at the top. If not, lay the cleaning tank with the ferrule at the bottom.



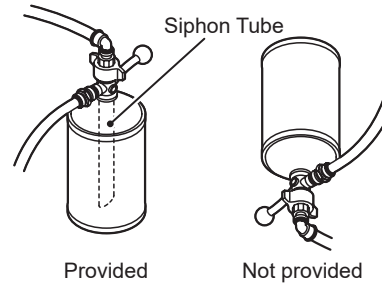
Rotary Type

Vertical Type



Rotary Type

Vertical Type



Provided

Not provided

16) Wait until the cleaning sponge and water come out of the liquid nozzle.

17) Turn the regulator adjust dial to set the pressure to "0" (MPa).

18) Close the main valve of the CO2 gas cylinder by turning it clockwise.

19) Check that CO2 gas stops coming out of the nozzle.

20) Close the beer circuit.

Rotary type: Turn the keg coupler handle counterclockwise until it stops.

Vertical type: Unlock and lift the keg coupler handle all the way up.

21) Turn the keg coupler counterclockwise to remove it from the cleaning tank.

22) Thoroughly wash and dry the cleaning sponge and store it for later use.

23) Repeat the above steps 9) to 22) until clear water comes out of the beer tap.

Note: Receive the water in a mug or glass to check its clearness. Repeat a few times until water becomes clear.

24) Turn the union nut clockwise to remove the beer tap.

25) Loosen the cap nut to disassemble the beer tap. Fit the valve shaft in the original (normal) direction while aligning the holes in the beer tap and valve shaft (larger hole facing up), and tighten the cap nut.

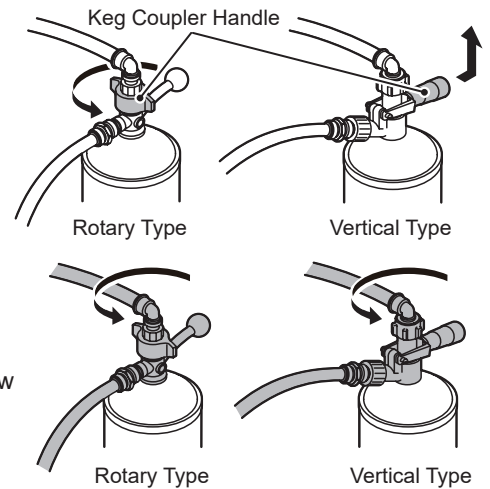
Note: Assemble the beer tap correctly, or beer cannot be dispensed properly.

26) Attach the beer tap on the unit by turning the union nut counterclockwise.

27) Wash the cleaning tank interior thoroughly, turn the tank upside down to dry, and cap it tightly for storage.

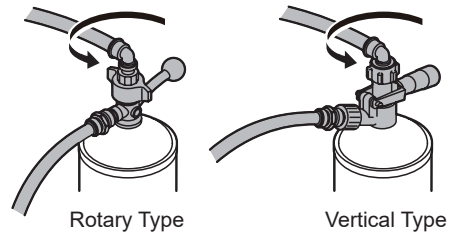
28) Hold the bottom of the operation panel unit and pull the front handle toward you to unlock. Pull down the operation panel unit until it stops to cover up the beer tap lever.

Note: To prevent malfunction, do not pull down the operation panel unit with the beer tap removed.



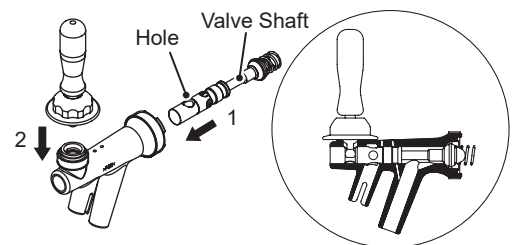
Rotary Type

Vertical Type



Rotary Type

Vertical Type



Hole

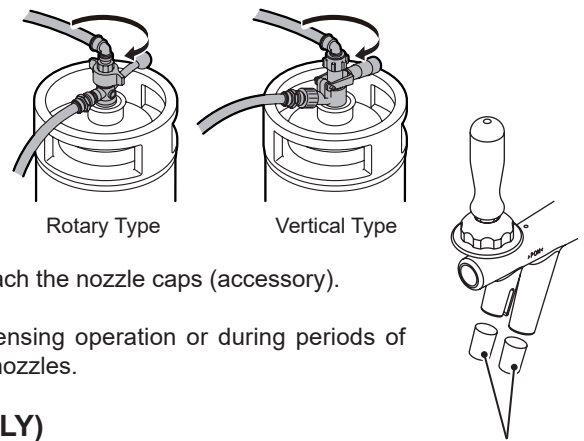
Valve Shaft

2

1

29) Turn the keg coupler clockwise to attach it to the beer keg.

Note: Wash the joint between the keg coupler and beer keg if it is not clean.



30) Wipe off moisture from the end of the beer tap nozzles. Clean and attach the nozzle caps (accessory).

Note: Always attach the accessory nozzle caps at the end of dispensing operation or during periods of non-use to prevent entrance of insects or dirt into the beer tap nozzles.

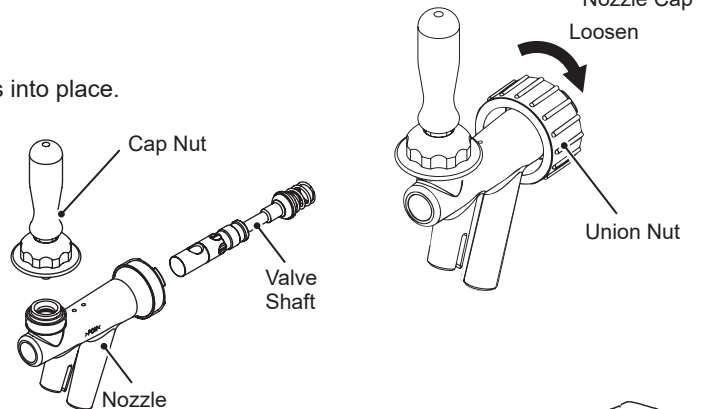
6. DISASSEMBLY AND CLEANING OF BEER TAP (WEEKLY)

1) Follow the steps 1) to 7) of "2. BEER CIRCUIT (DAILY)".

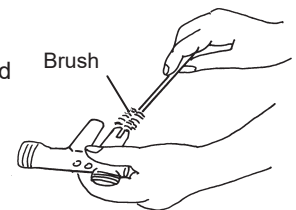
2) Lift up the operation panel unit slowly until it clicks and locks into place.

3) Turn the union nut clockwise to remove the beer tap.

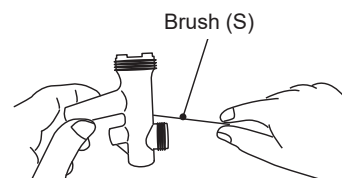
4) Loosen the cap nut to disassemble the beer tap.



5) Use a neutral dishwashing detergent and the accessory brush to clean inside the beer tap and valve shaft.



6) Use the accessory brush (S) to clean the two small holes in the beer tap.

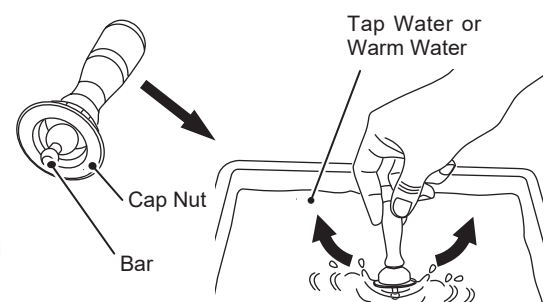


7) Soak the bar and cap nut interior in tap water or warm water and shake them to remove dirt.

8) Rinse the parts thoroughly with tap water.

9) Fit the valve shaft in the original (normal) direction while aligning the holes in the beer tap and valve shaft (larger hole facing up), and tighten the cap nut.

Note: Assemble the beer tap correctly, or beer cannot be dispensed properly.

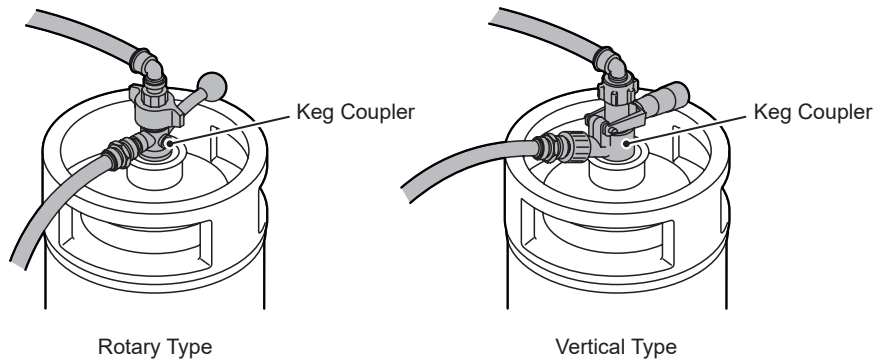


10) Hold the bottom of the operation panel unit and pull the front handle toward you to unlock. Pull down the operation panel unit until it stops to cover up the beer tap lever.

ENGLISH

7. KEG COUPLER (WEEKLY)

Follow the instructions provided by the beer company to clean the keg coupler.



8. EXTERIOR (WEEKLY)

The exterior is easily contaminated. Always keep it clean.

NOTICE

To prevent damage, do not use any cleaner other than a neutral cleaner on the plastic exterior.

- 1) Wipe with a cloth containing warm water and a neutral cleaner.
- 2) Use a damp cloth to wipe off any remaining cleaner.

9. AIR FILTER (BIWEEKLY)

NOTICE

Keep the air filter clean to ensure proper operation.

Do not operate the unit with the air filter removed. Dust may enter the unit resulting in failure.

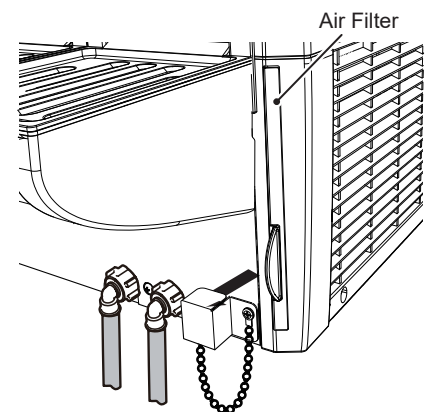
IMPORTANT

The air filter must be cleaned as required by the installation condition.

- 1) Pull out the air filter.
- 2) Wash the air filter with cold water or warm water containing a neutral cleaner.

Note: Be careful not to damage the mesh.

- 3) Dry the air filter well in the shade.
- 4) Refit the air filter.



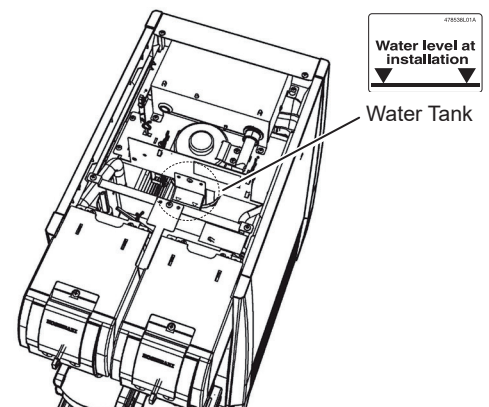
IV. INSPECTION

1. COOLING WATER AND ELECTRODE (BIANNUALLY)

IMPORTANT

Replace the cooling water and check the electrode for cleanliness twice a year.

- 1) Unplug the unit. The refrigeration unit and agitator motor stop.
- 2) Remove the top cover.
- 3) Check that the water level is above the water level mark inside the water tank.

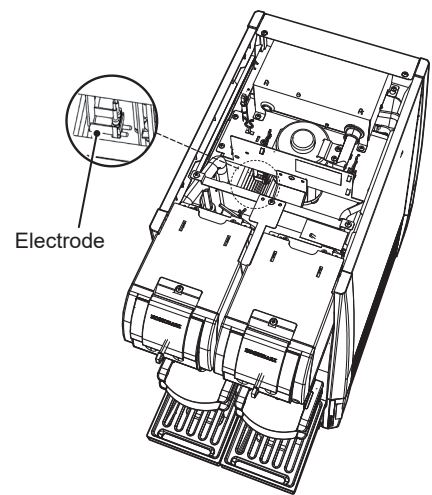


4) Drain the water tank. See "II. 9. [b] DRAINING WATER TANK".

5) Check if the electrode is clean.

NOTICE

If the electrode has turned brown or black or is not clean, contact your dealer/supplier.



6) Fill the water tank. See "II. 2. FILLING WATER TANK".

7) Plug in the unit. The refrigeration unit and agitator motor start.

IMPORTANT

It takes about 8 to 13 hours from startup to completion of ice storage in the water tank. Dispensed beer may not be cold enough until ice production completes.

2. GAS HOSE AND BEER HOSE (MONTHLY)

Check the gas and beer hoses for damage, deformation, and water leak marks (stains). If any problem is found, contact your dealer/supplier.

3. ATTACHMENT PLUG AND POWER CORD (ANNUALLY / BIANNUALLY)

⚠ WARNING

Check periodically that the attachment plug blades and their vicinity are free of dust and that the attachment plug is securely plugged into the receptacle. Dusty blades or loose connection may cause electric shock or fire.

Do not damage the power cord. It should not be additionally processed, jerked, bundled, weighed down or caught in. It could cause electric shock or fire.

The unit must have a separate power supply. Branching off the power cord, using an extension cord, or sharing a single power supply with other appliances may result in electric shock, heat generation or fire.

Check that:

- * The attachment plug blades and their vicinity and the receptacle are free of dust. Clean them if necessary.
- * The attachment plug and power cord are not damaged, weighed down or caught in.
- * The attachment plug is plugged into a separate receptacle.

V. OTHER INFORMATION

1. PREPARING THE DISPENSER FOR LONG STORAGE

⚠ WARNING

When shutting down the dispenser for more than a week, unplug the unit.

1) Drain the water tank according to "II. 9. [b] DRAINING WATER TANK".

2) Carry out the following maintenance procedures to clean and drain the beer circuit and to keep the unit clean:

- III. 5. CLEANING BEER CIRCUIT WITH SPONGE (WEEKLY)
- 6. DISASSEMBLY AND CLEANING OF BEER TAP (WEEKLY)
- 7. KEG COUPLER (WEEKLY)
- 8. EXTERIOR (WEEKLY)
- 9. AIR FILTER (BIWEEKLY)

ENGLISH

3) When restarting the unit, follow the procedures below:

- II. 1. CLEANING BEER CIRCUIT
2. FILLING WATER TANK
3. CHECKS BEFORE OPERATION (DAILY)
4. START UP
5. SETTING LIQUID AND FOAM AMOUNTS
6. DISPENSING
7. SOLD OUT SENSOR
8. END OF DISPENSING OPERATION

2. BEFORE CALLING FOR SERVICE

If the dispenser does not work properly, check the following table before calling for service. If the problem still exists, turn off the power switch (earth leakage breaker) and contact your dealer/supplier.

Do not attempt to repair the unit by yourself. Only qualified personnel may repair the unit.

Problem	Possible Cause	Remedy
Unit will not start.	The unit is unplugged.	Plug in.
	The fuse is blown out.	Contact your dealer/supplier.
	Power failure.	Wait until power is resumed.
Beer is not cold.	No ice in the water tank.	Wait until ice is produced.
	Less than 8 to 13 hours after the power switch (earth leakage breaker) is turned on.	Ice production takes 8 to 13 hours depending on ambient and water temperatures. Wait for 8 to 13 hours before dispensing beer.
	Ambient temperature is above 30°C.	Ventilate with a fan to lower ambient temperature.
	No cooling water in the water tank.	Fill the water tank. See "II. 2. FILLING WATER TANK".
	The air inlet or outlet is blocked or not clean.	Clean or unblock. See "III. 9. AIR FILTER (BIWEEKLY)".
No beer is dispensed.	The beer keg is empty.	Replace with a new keg. See "II. 3. [d] REPLACING BEER KEG".
	The CO2 gas cylinder is empty.	Replace with a new cylinder. See "II. 3. [b] REPLACING CO2 GAS CYLINDER".
	The main valve of CO2 gas cylinder is closed.	Open.
	The regulator is set to "0".	Adjust the regulator to a proper pressure. See "II. 3. [b] REPLACING CO2 GAS CYLINDER".
	The keg coupler is not attached to the beer keg correctly.	Check and correct. See "II. 3. [d] REPLACING BEER KEG".
	The keg coupler handle is closed.	Open the beer circuit. See "II. 3. [d] REPLACING BEER KEG".
	Beer clogs the beer tap and the lever cannot move smoothly.	Disassemble and clean the beer tap. See "III. 6. DISASSEMBLY AND CLEANING OF BEER TAP (WEEKLY)".
Abnormal noise.	Operation sound of the refrigeration unit or condenser fan motor.	No problem.
	The foundation is not firm.	Contact your dealer/supplier.
	The foundation is not level.	Contact your dealer/supplier.
	Something is touching the unit.	Keep it away from the unit.

Too much foam.	The beer keg has just been shaken or moved.	Wait until beer in the keg settles down.
	The beer keg is almost empty.	Replace with a new keg. See "II. 3. [d] REPLACING BEER KEG".
	The CO2 gas cylinder is left open after the end of dispensing operation.	Close the cylinder every day at the end of dispensing operation. See "II. 8. END OF DISPENSING OPERATION".
	The regulator is not set to a proper pressure.	Adjust the regulator to a proper pressure. See "II. 3. [b] REPLACING CO2 GAS CYLINDER".
	Mug or glass is not clean.	Clean.
	The mug or glass temperature is too high.	Follow the instructions of the beer company.
	The beer tap or beer circuit is not clean.	Clean See "III. 2. BEER CIRCUIT (DAILY)".
	No ice in the water tank.	Wait until ice is produced.
	The gas hose is reversely connected.	Reconnect.
Excessive foam overflows.	The mug size or platform used is different from that at the time of setting.	Set a mug of the same size on the same platform as used at the time of setting.
Too little or too much liquid or foam.	The regulator adjust dial has been turned after liquid amount adjustment.	Readjust the CO2 gas pressure and the liquid and foam amounts.
Sold out lamp lights up while keg is not empty.	The CO2 gas pressure is not properly adjusted.	Readjust the CO2 gas pressure and the liquid and foam amounts.
	Foam is in the hose.	See "Too much foam" above.

3. DISPOSAL

Comply with local regulations regarding disposal of this appliance and its refrigerant gas.

Correct disposal of this product:

This marking indicates that this product should not be disposed with other household wastes throughout the EU. To prevent possible harm to the environment or human health from uncontrolled waste disposal, recycle it responsibly to promote the sustainable reuse of material resources. To return your used device, use the return and collection systems or contact the retailer where the product was purchased. They can take this product for environmental safe recycling.



4. WARRANTY

Hoshizaki warrants to the original owner/user that all Hoshizaki branded products shall be free of defects in material and/or workmanship for the duration of the "warranty period". The warranty shall be effective for one year from the date of installation. Hoshizaki's liability under the terms of the warranty are limited and shall exclude routine servicing, cleaning, essential maintenance and/or repairs occasioned by misuse and installations not in accordance with Hoshizaki guidelines.

Warranty repairs should be completed by an approved Hoshizaki dealer or service agency using genuine Hoshizaki components.

To obtain full details of your warranty and approved service agency, please contact your dealer/supplier, or the nearest Hoshizaki Service office:

Hoshizaki UK - UK, Ireland
 TEL: +44 845 456 0585
 FAX: +44 132 283 8331
 uksales@hoshizaki.uk

Hoshizaki Middle East - Middle East
 TEL: +971 48 876 612
 FAX: +971 48 876 613
 sales@hoshizaki.ae

Hoshizaki Deutschland - Germany, Switzerland, Austria, Poland, Czech Republic, Slovakia
 TEL: +49 5121 697370
 FAX: +49 5121 6973719
 vertrieb@hoshizaki.de

Hoshizaki Benelux - Netherlands, Belgium, Luxembourg
 TEL: +31 85 018 83 70
 info@hoshizaki.nl

ENGLISH

Hoshizaki France - France
TEL: +33 1 48 63 93 80
FAX: +33 1 48 63 93 88
info@hoshizaki.fr

Hoshizaki Italia - Italy
TEL: +39 344 0616467
TEL: +39 348 3022156
info@hoshizaki.it

Hoshizaki Iberia - Spain, Portugal
TEL: +34 93 478 09 52
FAX: +34 93 478 08 00
info@hoshizaki.es

Hoshizaki Europe B.V. - all other countries within Europe and Africa
TEL: +31 20 6918499
FAX: +31 20 6918768
sales@hoshizaki.nl

SPECIFICATIONS

Model	DBF-AS65WE-EU-HC
Power Supply	1 phase 220 - 240V 50Hz
Dispensing Capacity	65 L (30°C to 8°C / 4 hrs)
Ice Making Time	11 hrs (Initial Cooling Water Temp 25°C)
Ice Storage Capacity	12 L
Dimensions	367mm(W) x 674mm(D) x 764mm(H)
Refrigerant	R600a, 80g
Insulation Foam Blowing Agent	HFO-1233zd(E)
Weight	Net: 50kg (Gross: 77kg)
Ambient Temp	5 - 32°C

INFORMATIONS IMPORTANTES RELATIVES A LA SECURITE

Tout au long de ce manuel, des remarques attireront votre attention sur des situations susceptibles de provoquer des blessures graves voire mortelles ou d'endommager l'appareil.

▲AVERTISSEMENT	Indique une situation dangereuse qui, si elle n'est pas évitée, est susceptible d'entraîner des blessures graves voire mortelles.
▲ATTENTION	Indique une situation dangereuse qui, si elle n'est pas évitée, est susceptible d'entraîner des blessures légères ou de gravité modérée.
AVIS	Indique une situation dangereuse qui, si elle n'est pas évitée, est susceptible d'entraîner des dommages sur l'appareil.
▲HYGIENE	Indique des précautions importantes en matière d'hygiène et de sécurité alimentaire.
IMPORTANT	Indique des informations importantes relatives à l'utilisation et à l'entretien de l'appareil.

Cette tireuse à bière automatique utilise du réfrigérant sans HFC (isobutane) et une mousse isolante sans HFC, des matériaux écologiques qui n'appauvrissent pas la couche d'ozone et ont un très faible potentiel de réchauffement climatique.

▲AVERTISSEMENT	
<p>Cette tireuse à bière automatique contient un réfrigérant inflammable dans son système de réfrigération ; son montage, sa manipulation, son entretien et sa mise au rebut doivent, par conséquent, n'être réalisés que par des techniciens agréés.</p>	
<p>Le réfrigérant contenu dans cette tireuse à bière est inflammable et contenu de manière hermétique dans le système de réfrigération. Bien que le réfrigérant ne présente aucun risque de fuite dans des conditions d'utilisation normales, manipulez la tireuse à bière avec la plus grande précaution afin d'éviter d'endommager le système.</p>	
<p>En cas d'endommagement accidentel du système de réfrigération entraînant une fuite de réfrigérant :</p> <ul style="list-style-type: none"> * Interdire toute étincelle ou corps incandescent dans le voisinage. * N'utiliser aucun interrupteur ni prise électrique dans le voisinage. * Ne pas utiliser de flamme nue. * Ventiler immédiatement la pièce en ouvrant les portes et/ou fenêtres. * Appeler un technicien de réparation. 	

IMPORTANT	
<p>Le présent manuel est une partie intégrante et essentielle de l'appareil et doit être conservé par l'utilisateur.</p>	
<p>Veillez lire attentivement les instructions et les avertissements qu'il contient. Ce sont des informations essentielles qui permettront à l'installateur/l'utilisateur d'installer, d'utiliser et d'entretenir l'appareil correctement et en toute sécurité.</p>	
<p>Veillez conserver ce manuel afin de pouvoir vous y reporter en cas de besoin.</p>	

▲AVERTISSEMENT

Cet appareil est une tireuse à bière automatique à usage commercial, qui doit être utilisée uniquement pour l'usage pour lequel elle a été conçue.

Toute autre utilisation sera considérée comme inappropriée et, par conséquent, dangereuse. Le fabricant ne saurait être tenu pour responsable de quelconques dommages résultant d'une utilisation inadaptée, inappropriée ou déraisonnable.

L'installation de l'appareil ainsi que son transfert éventuel doivent être effectués par du personnel qualifié, dans le respect des réglementations en vigueur et des instructions fournies par le fabricant.

Veillez à maintenir les orifices de ventilation dégagés, tant au niveau du boîtier de l'appareil que de la structure dans laquelle il est encastré.

N'endommagez pas le circuit de réfrigération.

Les opérations d'entretien doivent être réalisées par une personne qualifiée. L'accès à la zone de service est limité aux personnes connaissant la machine et l'ayant déjà utilisée, en particulier en ce qui concerne la sécurité et l'hygiène.

Certaines règles fondamentales doivent être respectées lors de l'utilisation d'appareils électriques. En particulier :

- * Un niveau d'humidité élevé augmente les risques de court-circuit et de chocs électriques. En cas de doute, débranchez la tireuse.
- * N'endommagez pas le cordon d'alimentation électrique et ne tirez pas dessus pour débrancher la tireuse de la prise d'alimentation réseau.
- * S'il s'avère nécessaire de remplacer le cordon d'alimentation électrique et/ou la prise, faites toujours appel à un technicien de maintenance qualifié.
- * Ne touchez pas les pièces électriques et n'actionnez pas les commandes avec des mains humides.
- * Cet appareil n'est pas conçu pour une utilisation par des personnes (enfants inclus) présentant des capacités physiques, sensorielles ou mentales réduites, ou ne disposant pas de l'expérience et des connaissances nécessaires. Il peut cependant être utilisé par des enfants à partir de 8 ans et par des personnes présentant des capacités physiques, sensorielles ou mentales réduites, ou ne disposant pas de l'expérience et des connaissances nécessaires, à condition qu'ils aient reçu de l'aide ou des informations sur la manière d'utiliser l'appareil par une personne responsable de leur sécurité.
- * Les enfants ne doivent pas jouer avec l'appareil.
- * Le nettoyage et l'entretien de cet appareil ne doivent pas être effectués par des enfants sans surveillance.
- * Ne tentez pas de modifier la tireuse. Seul le personnel qualifié est habilité à démonter ou réparer l'appareil.

Lors du positionnement de l'appareil, vérifiez que le cordon d'alimentation n'est pas coincé ni endommagé.

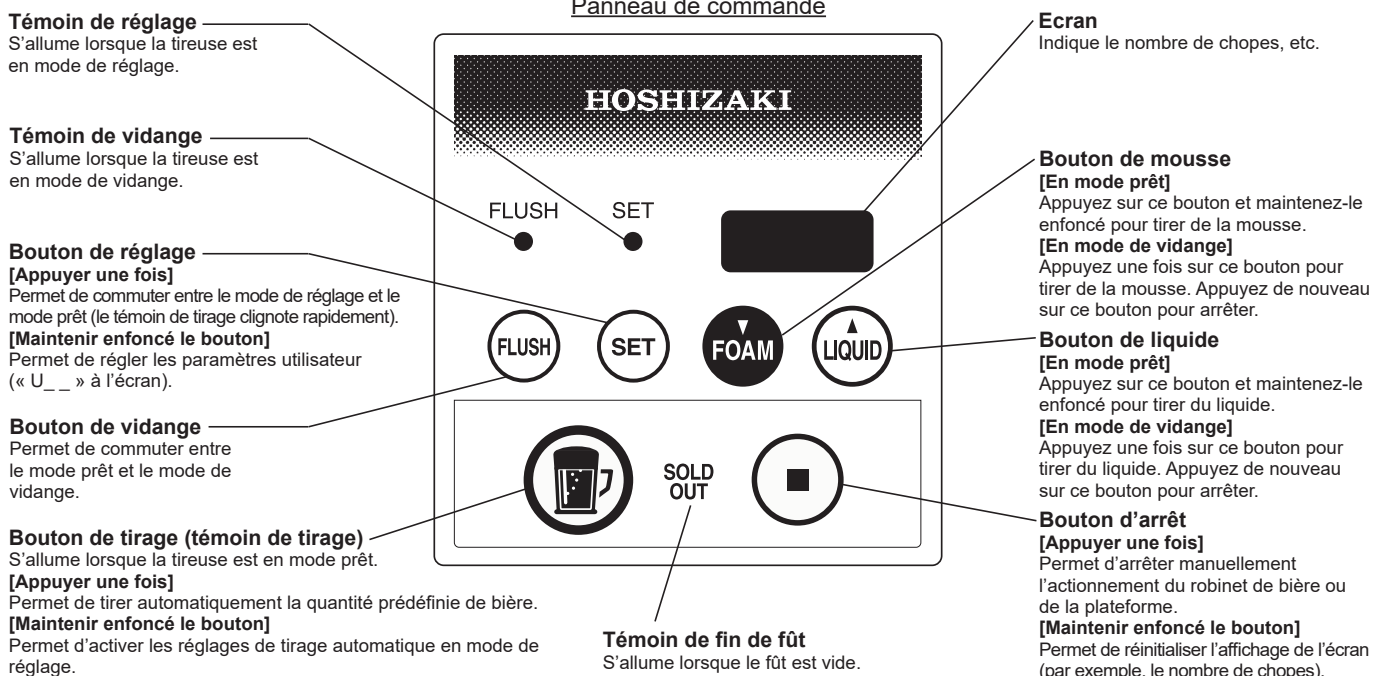
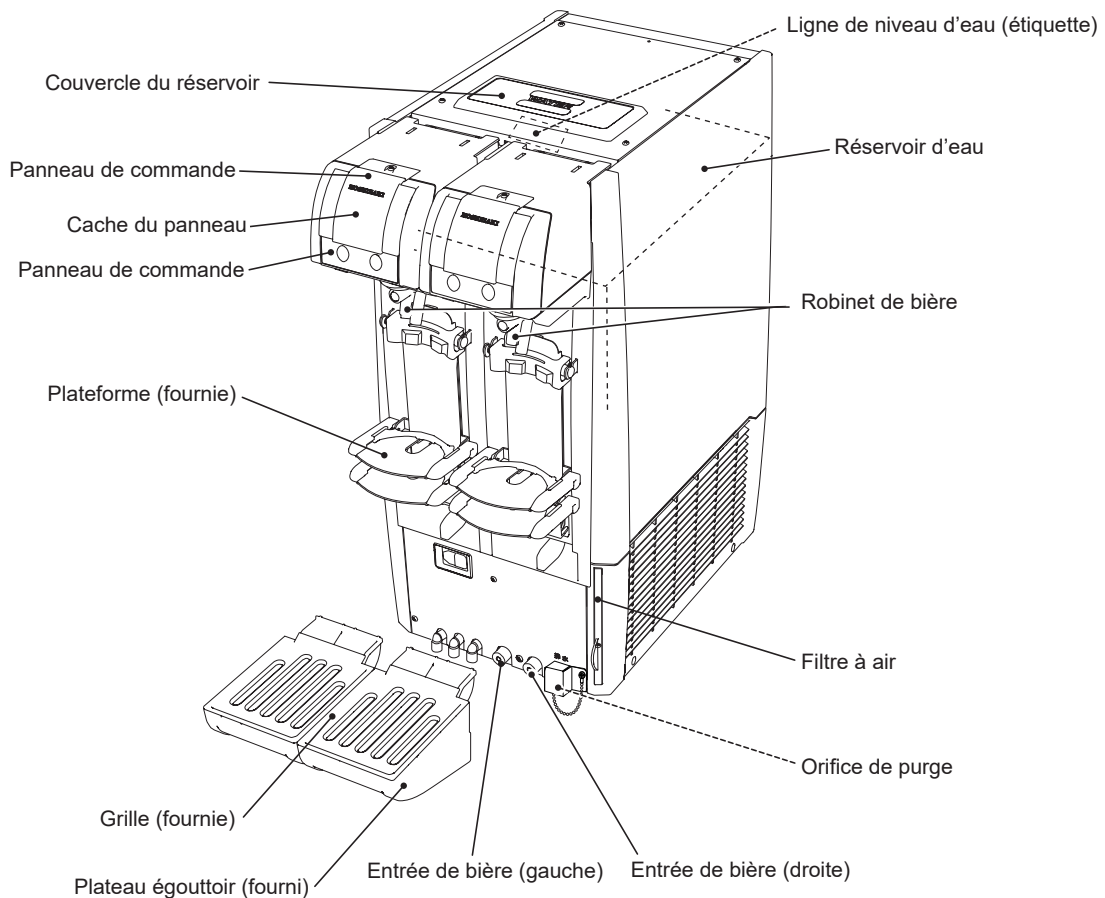
Ne placez pas de blocs multiprises ni d'alimentations électriques portatives à l'arrière de l'appareil.



Signification du symbole de la norme ISO 7010 W021 :
Avertissement : Risque d'incendie

I. INSTRUCTIONS D'INSTALLATION

1. COMPOSANTS



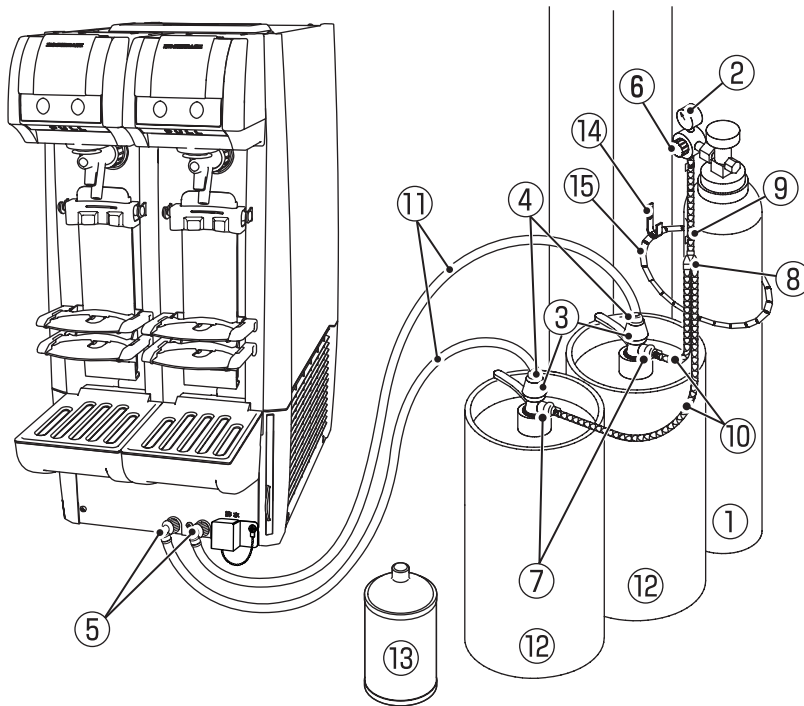
AVIS

Ouvrez le cache du panneau pour accéder aux boutons et aux témoins différents du bouton de tirage (témoin de tirage), du témoin de fin de fût et du bouton d'arrêt.

Afin de ne pas endommager le cache du panneau, n'exercez aucune force pour l'ouvrir.

FRANÇAIS

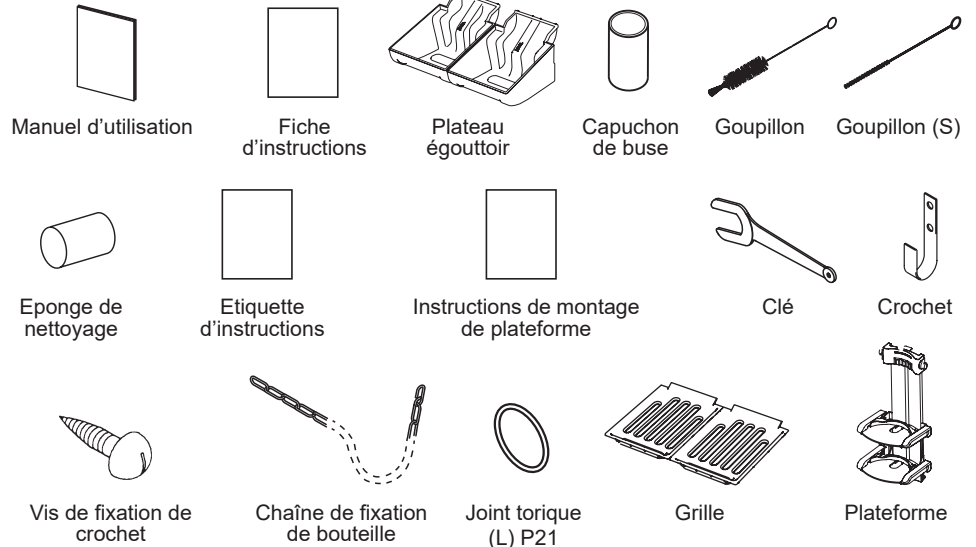
Préparez et installez le matériel suivant. Demandez conseil auprès du vendeur de boissons alcoolisées, du brasseur ou du distributeur pour préparer le détendeur, le raccord pour fût et une bouteille de CO2 adaptés à la bière à tirer.



- [1] Bouteille de CO2
- [2] Détendeur
- [3] Raccord pour fût
- [4] Raccord rapide pour tuyau de bière (côté raccord)
- [5] Raccord rapide pour tuyau de bière (côté tireuse)
- [6] Raccord rapide pour tuyau de gaz (côté détendeur)
- [7] Raccord rapide pour tuyau de gaz (côté raccord)
- [8] Raccord en Y
- [9] Tuyau de gaz (court)
- [10] Tuyau de gaz (long)
- [11] Tuyau de bière
- [12] Fût de bière
- [13] Réservoir de nettoyage
- [14] Crochet (fourni)
- [15] Chaîne de fixation de bouteille (fournie)

2. ACCESSOIRES

Manuel d'utilisation	1
Fiche d'instructions	1
Plateau égouttoir	2
Capuchon de buse	8
Goupillon	1
Goupillon (S)	1
Eponge de nettoyage	6
Etiquette d'instructions	1
Instructions de montage de plateforme	1
Clé	1
Crochet	1
Vis de fixation de crochet	2
Chaîne de fixation de bouteille	1
Joint torique (L) P21	1
Grille	2
Plateforme	2



Manuel d'utilisation

Fiche d'instructions

Plateau égouttoir

Capuchon de buse

Goupillon

Goupillon (S)

Eponge de nettoyage

Etiquette d'instructions

Instructions de montage de plateforme

Clé

Crochet

Vis de fixation de crochet

Chaîne de fixation de bouteille

Joint torique (L) P21

Grille

Plateforme

3. DEBALLAGE

⚠️ AVERTISSEMENT

Maintenez les éléments d'emballage (sacs en plastique et polystyrène expansé) hors de portée des enfants, car ils peuvent constituer une source de danger.

⚠️ ATTENTION

Ne soulevez / manipulez pas la boîte en carton en la tenant par les sangles de maintien.

Lorsque vous transportez l'appareil à la main, supportez-le par le fond.

Ne tenez pas l'appareil par le robinet pour le soulever. Vous risqueriez d'endommager le robinet ou de faire tomber l'appareil et de vous blesser.

Portez toujours des gants de protection pour transporter l'appareil.

Lorsque vous manipulez la boîte en carton ou l'appareil non déballé, faites-vous assister par une deuxième personne afin d'éviter les risques de blessures.

AVIS

Retirez le carton de livraison, les bandes adhésives et l'emballage. Si vous laissez des éléments d'emballage sur la tireuse, elle ne fonctionnera pas correctement.

Afin d'éviter les dommages, n'inclinez pas la tireuse à plus de 45°.

- 1) Après avoir retiré l'emballage, assurez-vous que la tireuse est en bon état. En cas de doute, n'utilisez pas la tireuse et faites appel à un professionnel qualifié.
- 2) Retirez le film plastique de protection de la surface extérieure. Si la tireuse est exposée au soleil ou à la chaleur, retirez le film une fois que la tireuse a refroidi.
- 3) Retirez les accessoires de leur emballage. Contrôlez le contenu en vous reportant à « 2. ACCESSOIRES ».

4. EMPLACEMENT

⚠ AVERTISSEMENT

Cette tireuse n'est pas conçue pour une utilisation en extérieur.

La tireuse ne doit pas se trouver à proximité d'un four, d'un grill ou de toute autre source de chaleur.

Cet appareil n'est pas conçu pour se trouver dans des zones où un jet d'eau est utilisé.

⚠ ATTENTION

L'emplacement choisi doit offrir une surface d'appui plane et stable pour la tireuse.

AVIS

Veillez à ne pas obstruer les orifices de ventilation.

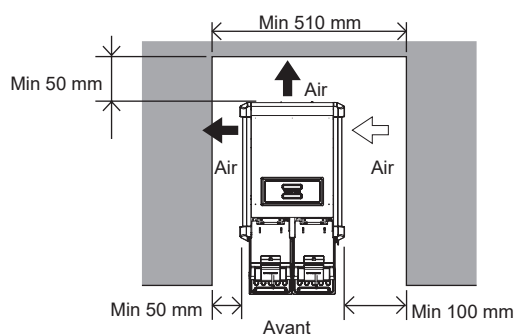
IMPORTANT

La température ambiante de fonctionnement normale doit être comprise entre 5 °C et 32 °C, la température de l'eau de rafraîchissement ne doit pas dépasser 25 °C, et la température du fût de bière doit être comprise entre 10 °C et 30 °C. L'utilisation prolongée de la tireuse hors de ces plages de température normales pourrait affecter sa capacité de production.

Laissez 10 mm d'espace supplémentaire sur le lieu d'installation pour satisfaire à toutes les exigences d'installation (un espace supplémentaire est également requis pour une circulation de l'air appropriée et un raccordement correct des tuyaux).

Tenez la tireuse éloignée du rayonnement direct du soleil.

Veillez à conserver les espaces libres spécifiés ci-dessous afin de permettre une circulation correcte de l'air et de faciliter les éventuelles opérations d'entretien.



Dans certains environnements où l'humidité est élevée, de la condensation risque de se former à l'intérieur de la machine et de s'égoutter sur le sol. Ne l'installez pas dans des zones où le sol risque de s'abîmer au contact de l'eau.

Éviter toute exposition prolongée de l'appareil à la lumière directe du soleil.

5. INSTALLATION

⚠ ATTENTION

Une installation incorrecte peut blesser des gens et des animaux ou entraîner des dommages matériels dont le fabricant ne pourrait en être tenu responsable.

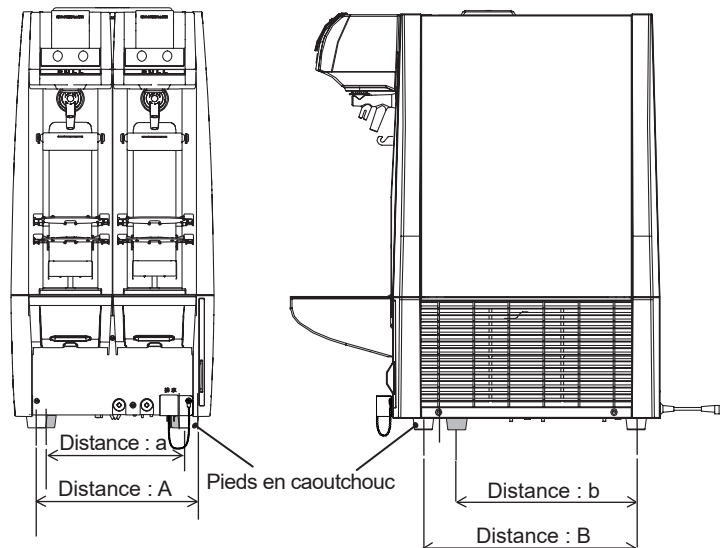
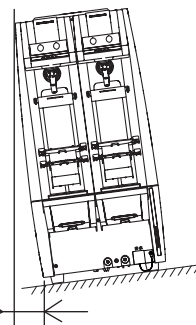
FRANÇAIS

[a] TIREUSE

Les pieds avant en caoutchouc peuvent être reculés par rapport à leur position d'origine. Si les pieds ne peuvent pas être logés dans l'espace d'installation sur le comptoir ou la table, dévissez les pieds avant à l'aide d'un tournevis et remontez-les aux positions suivantes.

Configuration d'usine	Distance : A	274 mm
	Distance : B	388 mm
Après réglage	Distance : a	244 mm
	Distance : b	328 mm

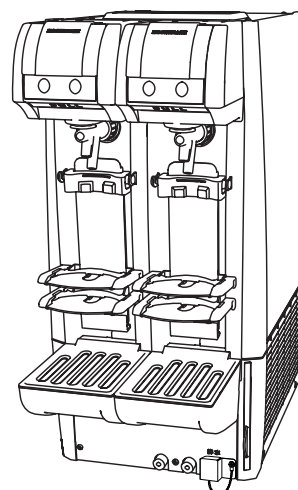
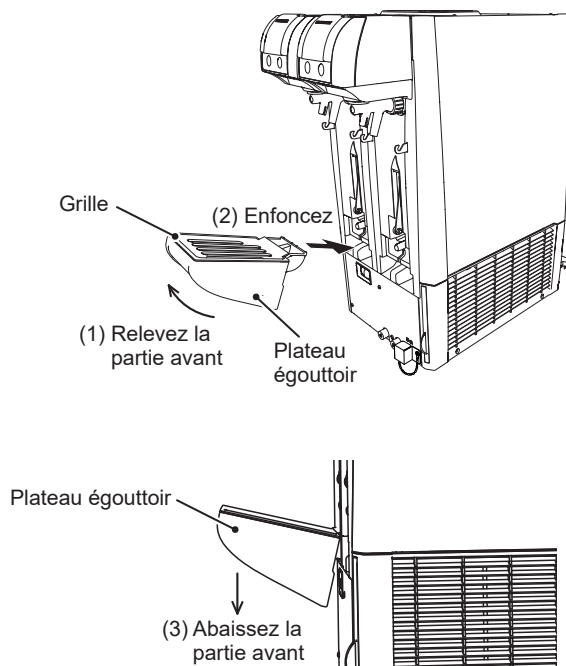
Ne pas incliner de plus de 1 cm



[b] PLATEAU EGOUTTOIR

Pour attacher le plateau égouttoir (fourni) et la grille (fournie) :

- (1) relevez la partie avant du plateau égouttoir,
- (2) enfoncez bien le plateau égouttoir dans son support, et
- (3) abaissez la partie avant du plateau égouttoir.

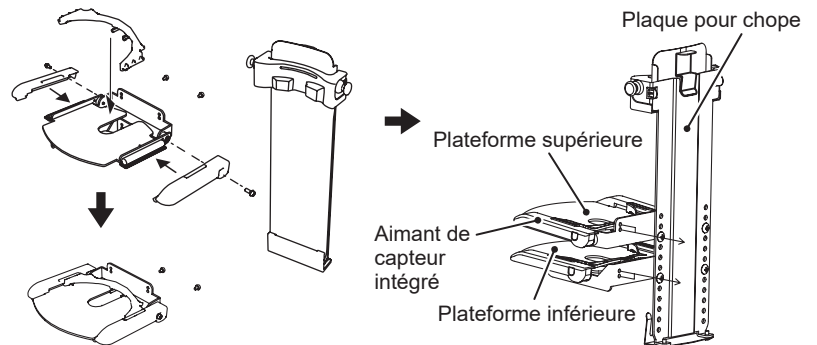


Après le montage des accessoires

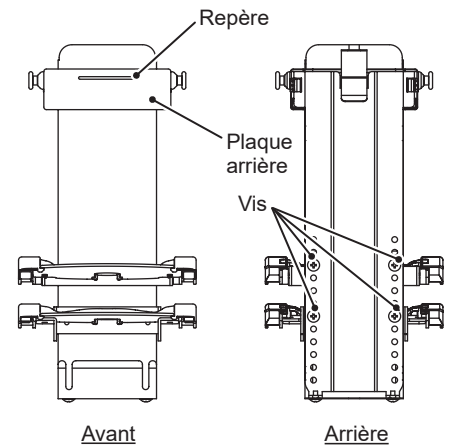
[c] REGLAGE DE LA PLATEFORME

Les positions des plateformes supérieures et inférieures peuvent être réglées pour accueillir deux hauteurs de chope. Le guide peut également être déplacé d'avant en arrière en fonction de la forme de la chope.

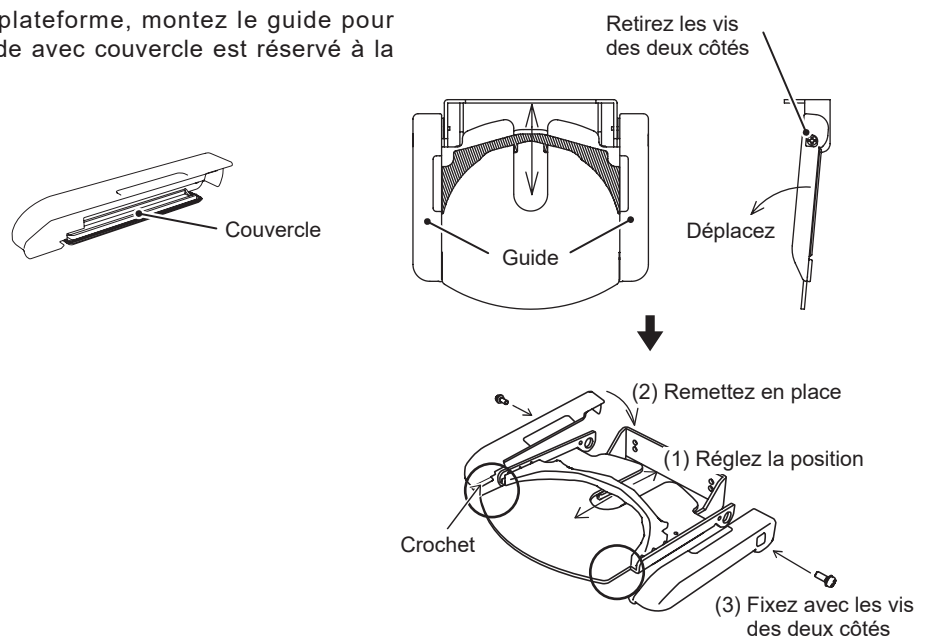
1) L'ensemble plateforme est constitué des composants illustrés à droite.



2) Déplacez la plateforme dans la position souhaitée et fixez-la à l'aide des vis.
La position de la plateforme supérieure peut être réglée entre les 1er et 7e niveaux de la plaque pour chope, et la position de la plateforme inférieure peut être réglée entre les 4e et 12e niveaux. Le haut de la chope doit être en face du repère de la plaque arrière lorsqu'elle est placée sur la plateforme. (Voir le tableau de la page suivante pour connaître les hauteurs de chope et les positions de la plateforme.)



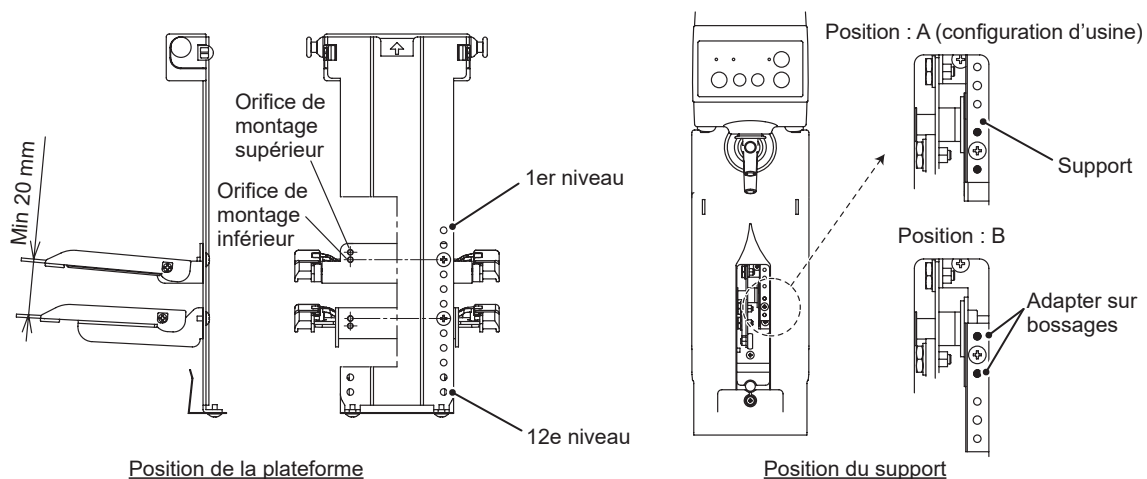
3) Après avoir réglé les positions de la plateforme, montez le guide pour positionner le bas de la chope. Le guide avec couvercle est réservé à la plateforme supérieure.



4) Remettez en place les plateformes sur l'appareil.

AVIS

Lors du réglage de la position de la plateforme supérieure, il convient de régler également la position du support conformément au tableau de la page suivante.



Niveau de la plaque pour chope	Plateforme supérieure			Plateforme inférieure			
	Orifice de montage	Hauteur de la chope (mm)	Position du support	Orifice de montage	Hauteur de la chope (mm)		
1	Inférieur	135	A	Non disponible			
	Supérieur	140					
2	Inférieur	145					
	Supérieur	150					
3	Inférieur	155					
	Supérieur	160					
4	Inférieur	165	B	Inférieur	155		
	Supérieur	170		Supérieur	160		
5	Inférieur	175		Inférieur	165		
	Supérieur	180		Supérieur	170		
6	Inférieur	185		Inférieur	175		
	Supérieur	190		Supérieur	180		
7	Inférieur	195		Inférieur	185		
	Supérieur	200		Supérieur	190		
8	Non disponible			Inférieur	195		
9				Supérieur	200		
				Inférieur	205		
10				Supérieur	210		
				Inférieur	215		
11				Supérieur	220		
				Inférieur	225		
12				Supérieur	230		
				Inférieur	235		
						Supérieur	240

Remarque :

- Diamètre de la chope : diamètre intérieur 50 mm, diamètre extérieur et inférieur jusqu'à 105 mm
- La grande chope doit être au moins 20 mm plus haute que la petite chope.

6. BRANCHEMENTS ELECTRIQUES

⚠️ AVERTISSEMENT

CET APPAREIL DOIT ETRE RELIE A LA TERRE

Cette tireuse nécessite un branchement à la terre conforme aux normes électriques locales et nationales.

Afin d'éviter d'éventuels chocs électriques graves sur les individus ou des dommages importants sur l'appareil, installez un fil de terre sur la tireuse.

Avant toute opération d'entretien, de réparation ou de nettoyage, débranchez la prise de l'alimentation secteur.

⚠️ ATTENTION

La variation de tension admissible maximale ne doit pas dépasser $\pm 10\%$ de la tension nominale. Le fonctionnement de l'appareil en dehors de cette plage peut entraîner de la fumée, un incendie, un endommagement de l'appareil ou une réduction des performances.

* Cet appareil requiert une alimentation électrique séparée. L'alimentation électrique doit être protégée par un disjoncteur adapté.

* Un permis de travail sur installations électriques et les services d'un électricien qualifié sont généralement requis.

* Si le cordon d'alimentation est endommagé, il doit être remplacé par un cordon de rechange disponible auprès de votre revendeur/fournisseur.

7. BRANCHEMENTS DES CIRCUITS DE GAZ ET DE BIÈRE

[a] Bouteille de CO2

⚠️ AVERTISSEMENT

Utilisez une bouteille de CO2 conçue pour un usage avec de la bière. L'utilisation d'une bouteille de type inadapté risquerait de provoquer une explosion ou une pollution atmosphérique.

Lors du transport de la bouteille de CO2, maintenez son chapeau fermé et évitez de cogner la bouteille afin d'éviter le risque d'explosion ou de fuites de gaz.

Conservez la bouteille de CO2 à distance du rayonnement direct du soleil ou de températures supérieures à 40 °C pour éviter une augmentation excessive de sa température et une explosion.

Le détendeur doit être équipé d'un joint en bon état afin d'éviter le risque de fuites de gaz. Dans le cas contraire, contactez le vendeur de boissons alcoolisées, le brasseur ou le distributeur pour monter un joint neuf.

Placez la bouteille de CO2 à la verticale et fixez-la bien à l'aide de la chaîne fournie pour empêcher qu'elle ne se renverse, ce qui entraînerait des blessures ou une explosion.

N'approchez pas votre visage de la bouteille de CO2 lorsque vous soufflez la poussière et les impuretés pour les éliminer du détendeur. La pénétration de poussière dans les yeux pourrait entraîner une déficience visuelle.

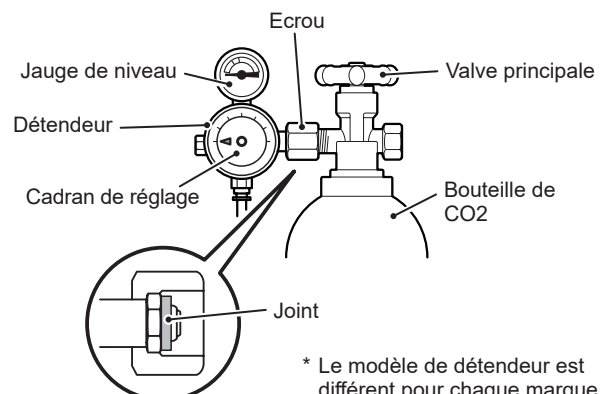
Manipulez le détendeur avec soin pour éviter tout choc, il pourrait sinon ne pas fonctionner correctement et le fût de bière ou le tuyau pourrait exploser.

Avant d'ouvrir la valve principale de la bouteille de CO2 ou de retirer le raccord pour fût de bière, réglez le détendeur sur « 0 ». Dans le cas contraire, l'application brusque d'une pression de gaz sur le fût de bière pourrait entraîner une explosion ou éjecter le raccord pour fût.

1) Ouvrez la valve principale de la nouvelle bouteille de CO2 pendant une seconde afin que le souffle produit élimine la poussière et les impuretés du raccord (à l'aide de CO2).

2) Inspectez le joint du détendeur. S'il est endommagé ou manquant, montez un nouveau joint. (Contactez le vendeur de boissons alcoolisées, le brasseur ou le distributeur.)

3) Installez correctement le détendeur sur la bouteille de CO2.



AVIS

Serrez d'abord l'écrou à la main, puis à l'aide de la clé (fournie) afin que la jauge de niveau soit à la verticale.

FRANÇAIS

- 4) Ouvrez la valve principale en la tournant dans le sens inverse des aiguilles d'une montre, et vérifiez qu'il n'y a pas de fuite de gaz au niveau de l'écrou du détendeur (inspection sonore). Si le gaz fuit, il est probable que l'écrou ne soit pas suffisamment serré ou que le raccord soit endommagé ou manquant.

Remarque : Pour vérifier l'absence de fuites de gaz, appliquez une éponge avec du savon sur le raccord. Des bulles se forment si le gaz fuit.

[b] RACCORDEMENTS DES TUYAUX

⚠ AVERTISSEMENT

Pour empêcher le risque de fuites de gaz et l'explosion des tuyaux, n'utilisez pas de tuyaux différents de ceux spécifiés par le brasseur.

Coupez l'extrémité du tuyau à angle droit et insérez-le fermement dans le raccord rapide pour tuyau pour garantir l'absence de fuite au niveau du raccord.

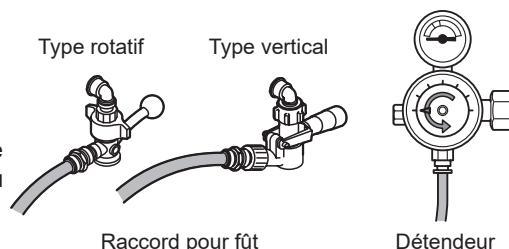
AVIS

Ne raccordez pas les tuyaux avant de les avoir coupés sur environ 20 mm.

Coupez les tuyaux à l'aide d'un outil spécialisé tel qu'un ciseau pour flexibles. N'utilisez pas de ciseau standard : vous risqueriez d'écraser les tuyaux, ce qui pourrait être à l'origine de fuites.

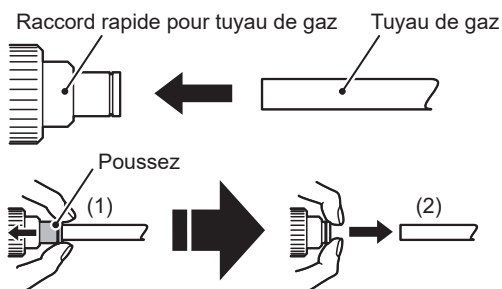
Tuyau de CO2

- 1) Coupez le tuyau de CO2 à angle droit et à une longueur de 1,4 m maximum.
- 2) Insérez fermement le tuyau de CO2 dans le raccord rapide pour tuyau de gaz situé sur le raccord pour fût et le détendeur. Tirez avec force sur le tuyau afin de contrôler la solidité des raccords.



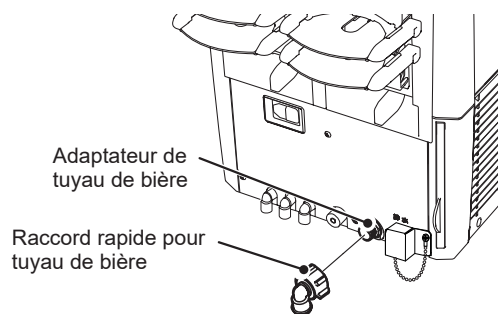
Raccord rapide pour tuyau de gaz

- 1) Pour raccorder le tuyau de CO2, enfoncez-le complètement.
- 2) Pour détacher le tuyau de CO2, enfoncez et tenez la partie (1) avec les doigts et tirez le flexible (2) pour l'extraire.

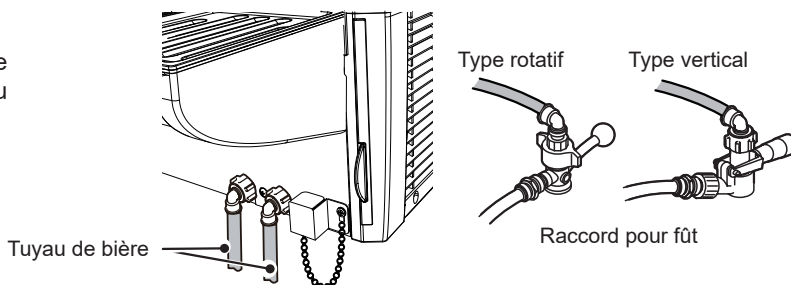


Tuyau de bière

- 1) Fixez le raccord rapide pour tuyau de bière spécifié par le brasseur sur l'adaptateur de tuyau de bière.
- 2) Coupez le tuyau de bière à angle droit et à une longueur de 2,1 m maximum.
- 3) Insérez fermement le tuyau de bière dans le raccord pour fût et le raccord rapide pour tuyau de bière. Tirez avec force sur le tuyau afin de contrôler la solidité des raccords.



Remarque : La méthode de raccordement et de détachement du raccord rapide pour tuyau de bière dépend du brasseur.



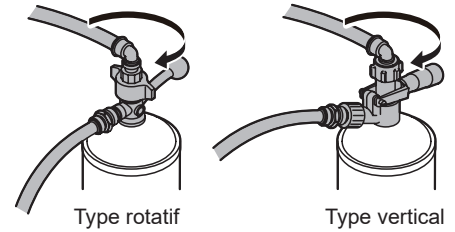
[c] CONTROLES A EFFECTUER APRES LES RACCORDEMENTS

1) Nettoyez soigneusement le réservoir de nettoyage puis remplissez-le d'eau du robinet.

Remarque : Si le réservoir de nettoyage n'est pas propre, il contaminera le circuit de bière.

2) Tournez le raccord pour fût dans le sens des aiguilles d'une montre pour le fixer au réservoir de nettoyage.

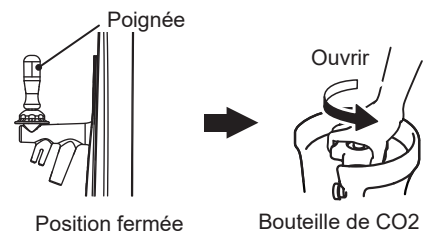
Remarque : Nettoyez le raccord entre le raccord pour fût et le réservoir de nettoyage s'il n'est pas propre.



3) Relevez et déposez la plateforme.

4) Placez un seau sur le plateau égouttoir pour recueillir l'eau ayant servi au nettoyage.

5) Vérifiez que la poignée du robinet est en position (normale) fermée. Ouvrez la valve principale de la bouteille de CO2 en la tournant plusieurs fois dans le sens inverse des aiguilles d'une montre.



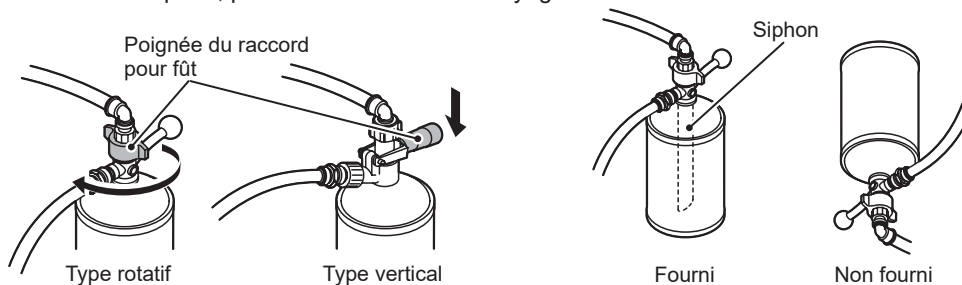
6) Tournez le cadran de réglage du détendeur pour régler la pression sur « 0,15 » (MPa).

7) Ouvrez le circuit de bière.

Type rotatif : Tournez la poignée du raccord pour fût dans le sens des aiguilles d'une montre jusqu'en butée.

Type vertical : Abaissez la poignée du raccord pour fût jusqu'à ce qu'elle se verrouille en position.

Remarque : Si le réservoir de nettoyage est équipé d'un siphon, posez le réservoir de nettoyage orienté virole en haut. En l'absence de siphon, posez le réservoir de nettoyage orienté virole en bas.



8) Tirez la poignée du robinet vers vous pour évacuer l'eau de la buse de liquide.

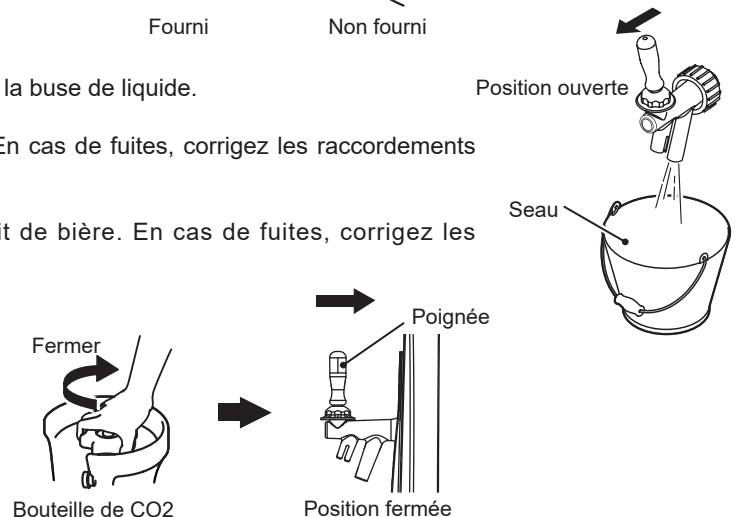
9) Vérifiez l'absence de fuites au niveau du circuit de CO2. En cas de fuites, corrigez les raccordements des tuyaux.

10) Vérifiez l'absence de fuites d'eau au niveau du circuit de bière. En cas de fuites, corrigez les raccordements des tuyaux.

11) Maintenez la poignée du robinet en position ouverte et tournez le cadran de réglage du détendeur pour régler la pression sur « 0 » (MPa).

12) Fermez la valve principale de la bouteille de CO2 en la tournant dans le sens des aiguilles d'une montre.

13) Lorsque le CO2 ne sort plus de la buse, remettez la poignée du robinet en position fermée.



8. CONTROLES A EFFECTUER APRES L'INSTALLATION

- 1) Remplissez le réservoir d'eau avec de l'eau spécifiée. Reportez-vous à « II. 2. REMPLISSAGE DU RESERVOIR D'EAU ».
- 2) Rincez le circuit de bière et vérifiez l'absence de fuites d'eau. Reportez-vous à « III. 2. CIRCUIT DE BIERE (AU QUOTIDIEN) ».
- 3) Vérifiez la tension d'alimentation.
- 4) Branchez l'appareil.
 - * Vérifiez que l'unité de réfrigération et le moteur d'agitateur démarrent.
(Dans des conditions de température basses, le moteur de ventilateur du condenseur risque de ne pas démarrer tant que la température du condenseur n'est pas remontée.)
 - * Après 8 à 13 heures (en fonction de la température ambiante/de l'eau), ouvrez le couvercle supérieur et vérifiez la présence de glace dans le réservoir d'eau.
- 5) Indiquez à l'utilisateur comment il doit utiliser l'appareil.
- 6) Confiez ce manuel d'utilisation à l'utilisateur.

9. REGLAGE DU CAPTEUR DE FIN DE FUT (« U07 »)

Choisissez parmi les quatre modes en fonction du type de boisson à tirer (p.ex. bière, cocktail).

- 1) Abaissez le panneau de commande du côté souhaité.
- 2) Appuyez sur le bouton de réglage du panneau de commande et maintenez-le enfoncé pour afficher « U01 » à l'écran.
- 3) Utilisez le bouton de mousse ou le bouton de liquide pour afficher « U07 » à l'écran.
- 4) Appuyez sur le bouton de réglage pour afficher le numéro actuel à l'écran. Utilisez le bouton de mousse ou le bouton de liquide pour sélectionner le numéro souhaité (voir tableau ci-dessous). Appuyez sur le bouton de réglage pour régler le numéro clignotant.

N°	Réglage
0	Réglage A (principalement de la bière)
1	Réglage B (principalement des cocktails)
2	Réglage C (principalement des cocktails)
3	Réglage D (facultatif)

Remarque : Le capteur de fin de fût est réglé en usine sur « 0 : Réglage A (principalement de la bière) ». Le réglage dépend de la marque de la boisson à tirer. Vérifiez auprès de votre revendeur/fournisseur.

- 5) Appuyez de nouveau sur le bouton de réglage pour afficher « U07 » à l'écran. Appuyez sur le bouton de réglage pendant plus de trois secondes pour terminer le réglage.

Remarque : Si aucune opération n'est réalisée pendant plus d'une minute, le mode de tirage est relancé. Le cas échéant, revenez à l'étape 2) ci-dessus.

10. PARAMETRES UTILISATEUR

Pour effectuer ou modifier des réglages :

Appuyez sur le bouton de réglage pendant trois secondes pour passer en mode de réglage (reportez-vous à « 9. REGLAGE DU CAPTEUR DE FIN DE FUT (« U07 ») »).

Pour terminer les réglages :

« U__ » étant affiché à l'écran, appuyez sur le bouton de réglage pendant trois secondes pour passer en mode de tirage. Le mode de tirage est également relancé si aucune opération n'est réalisée pendant plus d'une minute.

Élément		Description	Par défaut	Plage de réglages
U01	Affichage numérique (en mode de tirage)	0 : Aucune indication 1 : Nombre de chopes (*) * Le nombre change en fonction des grandes et petites chopes lorsque le réglage de la chope est modifié. * Pour le réinitialiser, appuyez sur le bouton d'arrêt pendant trois secondes.	0	0 - 1
U02	Journal du nombre de chopes	Journal du nombre de chopes pour chaque réinitialisation dans l'ordre décroissant * Le journal est indiqué tour à tour pour chaque remplacement de fût par « U04 ». * Le journal est indiqué pour les grandes et petites chopes lorsque le réglage de la chope est modifié. * Pour réinitialiser tous les journaux courants et passés, appuyez sur le bouton d'arrêt pendant trois secondes. Cette réinitialisation n'est pas comptabilisée pour « U04 ».	0	Jusqu'à 5 journaux
U03	Nombre de cycles de vidange	Nombre de cycles de vidange réalisés * Un cycle de vidange consiste à actionner le bouton de liquide (10 secondes) + le bouton de mousse (3 secondes) en mode de vidange sauf lorsqu'aucun tirage automatique n'est réalisé pendant le cycle. * Pour le réinitialiser, appuyez sur le bouton d'arrêt pendant trois secondes.	0	0 - 9999
U04	Nombre de remplacements de fût (Fréquence de réinitialisation)	Fréquence de réinitialisation pour le nombre de chopes * Le remplacement de fût est comptabilisé à chaque réinitialisation du nombre de fûts par l'actionnement du bouton d'arrêt. * Pour le réinitialiser, appuyez sur le bouton d'arrêt pendant trois secondes.	0	0 - 9999
U05	Luminosité du témoin de tirage	Réglage de la luminosité du témoin de tirage	6	1 - 8
U06	Durée de clignotement du témoin de tirage	Réglage de la durée de clignotement du témoin de tirage à la fin du tirage * Le témoin de tirage clignote pour empêcher qu'une autre chope soit placée alors que la mousse est encore en train de s'égoutter. * La distribution automatique est impossible lorsque le témoin de tirage clignote.	1	0 - 10
U07	Réglage du capteur de fin de fût	0 : Réglage A (principalement de la bière) / seuil : 2,2 V 1 : Réglage B (principalement du cocktail) / seuil : 2,5 V 2 : Réglage C (principalement du cocktail) / seuil : 2,8 V 3 : Réglage D (facultatif) / seuil : facultatif * Le réglage dépend de la marque de la boisson à tirer. Vérifiez auprès de votre revendeur/fournisseur.	0	0 - 3
U08	Réglage du mode automatique	0 : Non 1 : Oui (actionnements des boutons impossible, sauf pour le bouton de tirage/d'arrêt) * Le mode automatique est réinitialisé lorsque le mode de tirage manuel est sélectionné (en soulevant le panneau de commande). Pour reprendre le mode automatique, commutez sur le mode de tirage automatique (en abaissant le panneau de commande) et appuyez sur le bouton de tirage.	0	0 - 1
U09	Opération d'inclinaison de la chope	0 : Oui (la chope est inclinée pendant le tirage de la bière) 1 : Non (la chope est maintenue à la verticale pendant le tirage de la bière)	0	0 - 1
U10	Réinitialisation du nombre de chopes	0 : Manuelle 1 : Manuelle ou lorsque le capteur de fin de fût détecte la fin de fût * Pour le réinitialiser manuellement, appuyez sur le bouton d'arrêt pendant trois secondes.	0	0 - 1
U90	Réinitialisation des paramètres	Initialise uniquement les paramètres utilisateur * Pour initialiser, « 1 » étant affiché à l'écran, appuyez sur le bouton d'arrêt pendant trois secondes. * Si les paramètres sont mis à jour, « U90 » s'affiche à l'écran. S'ils ne sont pas mis à jour, « 0 » s'affiche de nouveau.	0	0 - 1

II. INSTRUCTIONS D'UTILISATION

1. NETTOYAGE DU CIRCUIT DE BIÈRE

Bien que le circuit de bière soit nettoyé avant expédition de l'appareil, il convient de le nettoyer de nouveau avant utilisation. Reportez-vous à « III. 2. CIRCUIT DE BIÈRE (AU QUOTIDIEN) ».

Vérifiez que les positions de montage des pièces sont correctes. Reportez-vous à « I. 1. COMPOSANTS ».

2. REMPLISSAGE DU RESERVOIR D'EAU

AVIS

Utilisez uniquement l'eau spécifiée pour remplir le réservoir d'eau. L'utilisation d'un autre type d'eau ou d'un mélange de sel, de vinaigre ou de jus peut entraîner un stockage de glace insuffisant, de la corrosion ou une perforation.

[a] PREPARATION DE L'EAU DE RAFRAICHISSEMENT

IMPORTANT

Veillez lire attentivement les informations suivantes avant de remplir le réservoir d'eau.

Conductibilité électrique (C.E.) de l'eau de rafraîchissement pour le réservoir d'eau

N'utilisez pas d'eau du robinet.

Remplissez le réservoir d'eau avec de l'eau présentant une C.E. de 100-300 $\mu\text{S/cm}$.

Mesurez la conductibilité électrique à l'aide d'un conductimètre.

* C.E. : propriété physique indiquant la capacité à conduire l'électricité.

Unité : μS (microsiemens)/cm

Inférieure à 100 $\mu\text{S/cm}$:

Le compresseur risque de ne pas fonctionner, entraînant de mauvaises performances de refroidissement.

Supérieure à 300 $\mu\text{S/cm}$:

Une quantité excessive de glace risque de s'accumuler sur l'évaporateur, faisant geler la bière à l'intérieur du serpentin de refroidissement, ce qui affecte le tirage de la bière.

Comment préparer une eau de rafraîchissement avec une C.E de 100-300 $\mu\text{S/cm}$

Le réservoir d'eau équipant cet appareil a une contenance d'environ 30 l.

Pour préparer l'eau de rafraîchissement, dissolvez 5 g de bicarbonate de soude pur dans environ 10 l d'eau distillée, puis ajoutez environ 20 l d'eau distillée pour remplir le réservoir d'eau.

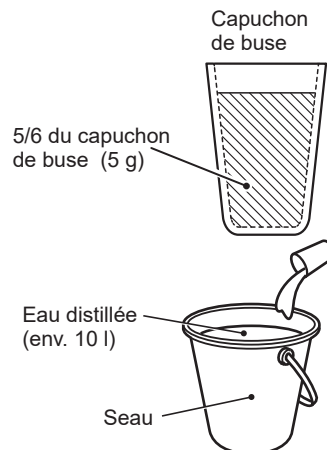
Etape 1

Mesurez 5 g de bicarbonate de soude pur à l'aide du capuchon de buse (fourni avec les accessoires).

Etape 2

Versez environ 10 l d'eau distillée dans un seau et remuez bien après avoir ajouté les 5 g de bicarbonate de soude mesurés à l'étape 1.

Rincez le capuchon de buse après utilisation.



[b] ALIMENTATION EN EAU DE RAFRAICHISSEMENT

⚠ AVERTISSEMENT

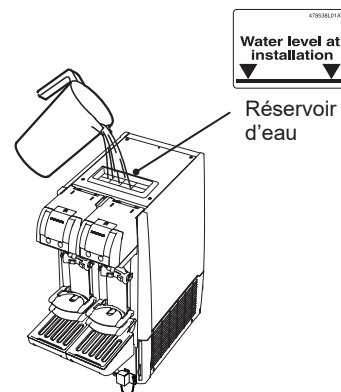
Avant de remplir le réservoir d'eau, mettez l'interrupteur d'alimentation (disjoncteur de fuite à la terre) en position arrêt et débranchez l'appareil.

AVIS

Ne projetez pas d'eau sur les pièces électriques.

Ne dépassez pas le repère de niveau d'eau lorsque vous remplissez le réservoir d'eau : le plateau égouttoir risquerait de déborder.

- 1) Déposez le panneau supérieur.
- 2) Versez le seau (env. 10 l) d'eau de refroidissement préparée.
- 3) Remplissez le réservoir d'eau d'env. 20 l d'eau distillée jusqu'à la ligne de niveau d'eau marquée à l'intérieur du réservoir d'eau.
- 4) Utilisez un conductimètre si vous souhaitez mesurer la conductibilité électrique.
- 5) Fermez le panneau supérieur.



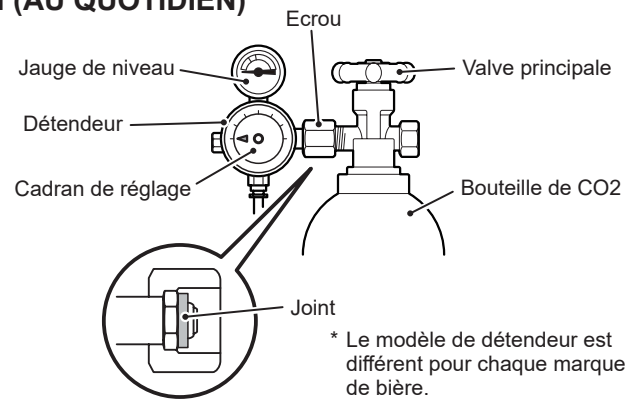
3. CONTROLES A EFFECTUER AVANT L'UTILISATION (AU QUOTIDIEN)

[a] VERIFICATION DE LA BOUTEILLE DE CO2

Ouvrez la valve principale de la bouteille de CO2, et vérifiez la pression de gaz à l'aide de la jauge de niveau du détendeur :

* Si le relevé de la jauge de niveau est inférieur ou égal à 3 MPa ou chute dans la zone jaune, la bouteille contient peu de CO2.

* Si le relevé de la jauge de niveau est inférieur ou égal à 1 MPa ou chute dans la zone rouge, remplacez la bouteille par une neuve.



[b] REMPLACEMENT DE LA BOUTEILLE DE CO2

1) Fermez la valve principale de la bouteille de CO2 en la tournant dans le sens des aiguilles d'une montre.

2) Tournez le cadran de réglage du détendeur pour régler la pression sur « 0 » (MPa).

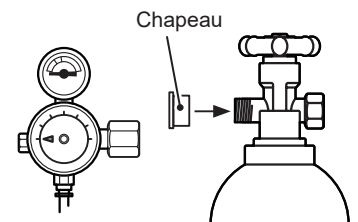
3) Desserrez l'écrou à l'aide de la clé (fournie), retirez le détendeur de la bouteille de CO2.

Remarque : Veillez à maintenir fermé le chapeau de la bouteille de CO2.

4) Ouvrez la valve principale de la nouvelle bouteille de CO2 pendant une seconde afin que le souffle produit élimine la poussière et les impuretés du raccord (à l'aide de CO2).

5) Inspectez le joint du détendeur. S'il est endommagé ou manquant, montez un nouveau joint. (Contactez le vendeur de boissons alcoolisées, le brasseur ou le distributeur.)

6) Installez correctement le détendeur sur la bouteille de CO2.



AVIS

Serrez d'abord l'écrou à la main, puis à l'aide de la clé (fournie) afin que la jauge de niveau soit à la verticale.

7) Ouvrez la valve principale en la tournant dans le sens inverse des aiguilles d'une montre, et vérifiez qu'il n'y a pas de fuite de gaz au niveau de l'écrou du détendeur (inspection sonore). Si le gaz fuit, il est probable que l'écrou ne soit pas suffisamment serré ou que le raccord soit endommagé ou manquant.

Remarque : Pour vérifier l'absence de fuites de gaz, appliquez une éponge avec du savon sur le raccord. Des bulles se forment si le gaz fuit.

8) Tournez le cadran de réglage du détendeur pour régler une pression appropriée comme indiqué ci-dessous.

⚠ AVERTISSEMENT

La pression du CO2 dans le fût de bière ne doit pas dépasser 0,37 MPa. Dans le cas contraire, le fût de bière ou le flexible peut exploser, ce qui entraînerait des blessures.

La pression de CO2 dans le fût empêche l'échappement du CO2 de la bière. Plus la température du fût de bière est élevée, plus le CO2 s'échappe facilement et une pression de gaz supérieure est requise.

Température du fût de bière	Pression de gaz
10 °C	0,20 MPa (échelle 2)
20 °C	0,22 MPa (échelle 2,2)
30 °C	0,32 MPa (échelle 3,2)

Remarque : Les valeurs sont indiquées à titre de référence uniquement. Réglez la pression appropriée spécifiée par le brasseur.

[c] VERIFICATION DU FUT DE BIERE

Si le témoin de fin de fût s'allume et qu'il ne reste plus de bière à tirer, remplacez le fût de bière.

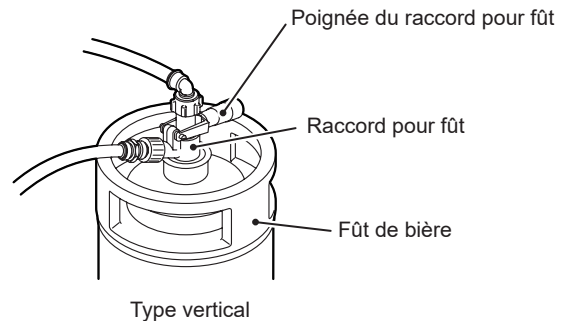
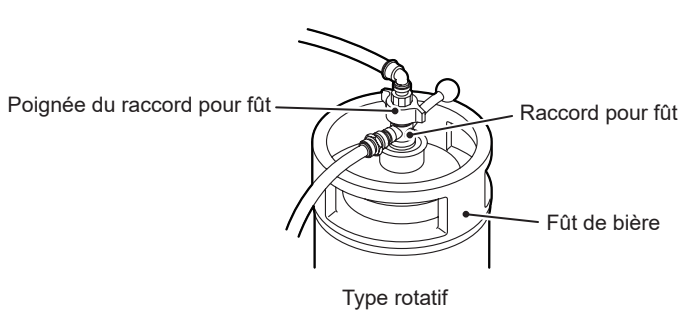
N'entreposez pas un fût de bière ouvert dans un réfrigérateur. Conservez-le à une température inférieure à 30 °C.

[d] REMPLACEMENT DU FUT DE BIÈRE

⚠ AVERTISSEMENT

Ne desserrez pas la virole sur le fût de bière, une pression interne pourrait s'échapper de la virole, ce qui entraînerait des blessures.

Manipulez le fût de bière avec soin pour éviter les vibrations. Le fait de rouler ou secouer le fût de bière peut entraîner une formation excessive de mousse.

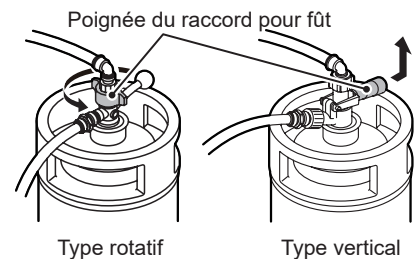


1) Fermez le circuit de bière.

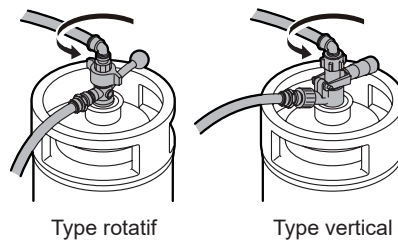
Type rotatif : Tournez la poignée du raccord pour fût dans le sens inverse des aiguilles d'une montre jusqu'en butée.

Type vertical : Déverrouillez et relevez au maximum la poignée du raccord pour fût.

2) Tournez le cadran de réglage du détendeur pour régler la pression sur « 0 » (MPa).

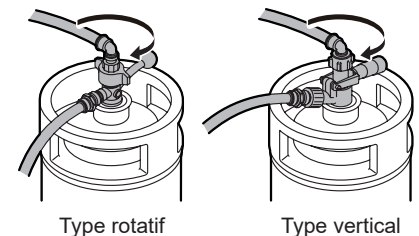


3) Tournez le raccord pour fût dans le sens inverse des aiguilles d'une montre pour le retirer du fût.



4) Tournez le raccord pour fût dans le sens des aiguilles d'une montre pour le fixer au nouveau fût de bière.

Remarque : Nettoyez le raccord entre le raccord pour fût et le fût de bière s'il n'est pas propre.

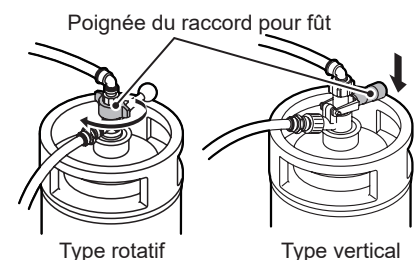


5) Tournez le cadran de réglage du détendeur pour régler une pression appropriée en fonction de la température du fût de bière. Reportez-vous à « [b] REMPLACEMENT DE LA BOUTEILLE DE CO2 ».

6) Ouvrez le circuit de bière.

Type rotatif : Tournez la poignée du raccord pour fût dans le sens des aiguilles d'une montre jusqu'en butée.

Type vertical : Abaissez la poignée du raccord pour fût jusqu'à ce qu'elle se verrouille en position.



7) Avant de servir la bière, pompez-la vers le robinet en vous reportant à « 4. [b] POMPAGE DE LA BIÈRE VERS LE ROBINET ».

4. MISE EN MARCHÉ

⚠️ AVERTISSEMENT

En cas de fuite de gaz, fermez l'alimentation principale en gaz et ventilez la pièce. Pour empêcher la formation d'étincelles et l'incendie et l'explosion qui en résulteraient, ne débranchez pas l'appareil.

N'utilisez pas d'aérosol inflammable et ne placez pas de substances volatiles et inflammables près de l'appareil. Les étincelles pourraient les enflammer.

Si l'alimentation se coupe, contactez votre revendeur/fournisseur. Pour empêcher un choc électrique ou un incendie, ne remettez pas l'appareil en marche.

En cas de panne, débranchez l'appareil ou coupez l'alimentation principale et contactez immédiatement votre revendeur/fournisseur. Pour empêcher un éventuel choc électrique ou incendie, arrêtez le fonctionnement de l'appareil.

- 1) Branchez l'appareil.
- 2) L'unité de réfrigération et le moteur d'agitateur démarrent.

IMPORTANT

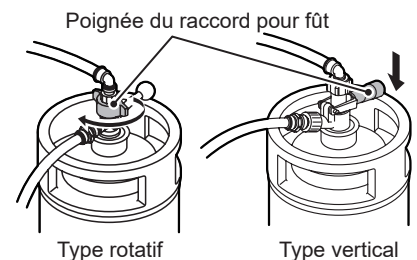
Il faut compter environ 8 à 13 h entre le démarrage et la fin du stockage de glace dans le réservoir d'eau. La bière tirée risque de ne pas être suffisamment froide tant que la fabrication de glace n'est pas terminée.

[a] MODE DE COMMUTATION

Chaque pression du bouton de vidange sur le panneau de commande commute entre le mode prêt et le mode de vidange. Dans le mode prêt, le témoin de tirage s'allume. Dans le mode de vidange, le témoin de vidange s'allume.

[b] POMPAGE DE LA BIÈRE VERS LE ROBINET

- 1) Vérifiez que le cadran de réglage du détendeur est bien réglé sur la pression appropriée spécifiée par le brasseur.
- 2) Ouvrez le circuit de bière.
 - Type rotatif : Tournez la poignée du raccord pour fût dans le sens des aiguilles d'une montre jusqu'en butée.
 - Type vertical : Abaissez la poignée du raccord pour fût jusqu'à ce qu'elle se verrouille en position.



- 3) Placez une chope sur la plateforme.
- 4) Appuyez sur le bouton de mousse et maintenez-le enfoncé pour évacuer l'air du circuit de bière à travers la buse de mousse. Relâchez le bouton de mousse lorsqu'il n'y a plus d'air à évacuer et que le débit de mousse est régulier. Lorsque la bière atteint le capteur de fin de fût, le témoin de fin de fût s'éteint et le témoin indiquant que c'est prêt s'allume.
- 5) Appuyez sur le bouton de liquide pour vérifier que de la bière claire est tirée. Relâchez le bouton de liquide pour arrêter l'écoulement de la bière.

IMPORTANT

Si la buse de liquide est utilisée pour purger l'air hors du circuit de bière, du liquide sera projeté en même temps que le gaz. Lors du raccordement ou du remplacement d'un fût de bière, utilisez toujours la buse de mousse pour purger l'air.

5. REGLAGE DES QUANTITES DE LIQUIDE ET DE MOUSSE

⚠️ ATTENTION

Afin de réduire le risque de blessures, ne placez pas vos doigts derrière la plateforme alors qu'elle se déplace.

IMPORTANT

Les quantités de liquide et de mousse sont réglées par un contrôle visuel de la bière tirée et par un actionnement de bouton. Les quantités réglées varient selon la pression de CO₂. Un nouveau réglage est nécessaire à chaque modification de la pression de CO₂.

Le réglage existe pour les deux tailles de chopes. Placez la grande chope sur la plateforme inférieure et la petite chope sur la plateforme supérieure. La grande chope doit être au moins 2 cm plus haute que la petite chope.

Le tirage automatique est prévu pour une chope en verre standard. Afin d'éviter une formation excessive de mousse, n'utilisez pas de gobelet en carton ni de chope en céramique.

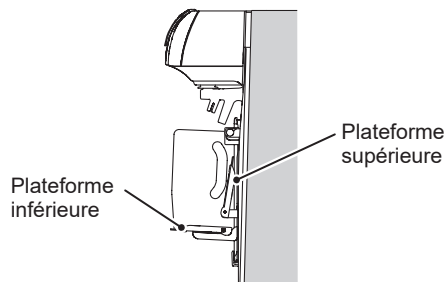
Les quantités définies peuvent varier en fonction de la température ambiante, de la température du fût de bière, des conditions d'utilisation et du niveau de bière restant.

La tolérance des quantités définies est d'environ 30 ml par chope de 400 ml. La pression de CO₂ doit être réglée en fonction de la température du fût de bière. Les quantités définies peuvent varier en fonction des performances du détendeur qui contrôlent la pression de CO₂. Si les quantités définies varient trop, le détendeur doit être remplacé.

Videz fréquemment le plateau égouttoir avant qu'il déborde sur le sol. L'eau de rafraîchissement à l'intérieur du réservoir d'eau absorbe l'humidité ambiante et s'échappe via le tuyau de trop-plein dans le plateau égouttoir.

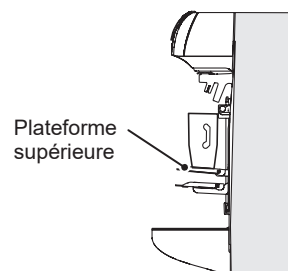
[a] REGLAGE POUR GRANDE CHOPE

- 1) Relevez la plateforme supérieure (fournie). Placez une chope propre sur la plateforme inférieure (fournie), sa partie arrière reposant contre la paroi.
- 2) Appuyez sur le bouton de réglage. Le témoin de réglage s'allume et le témoin de tirage clignote.
- 3) Appuyez sur le bouton de tirage et maintenez-le enfoncé pour relever la plateforme selon un angle de 40 degrés.
- 4) Tout en appuyant sur le bouton de tirage, appuyez sur le bouton de liquide et maintenez-le enfoncé. Lorsque la quantité de liquide souhaitée est tirée, relâchez uniquement le bouton de liquide. La plateforme reste relevée.
- 5) Tout en appuyant sur le bouton de tirage, choisissez la méthode de déplacement de la plateforme pour la remettre dans sa position d'origine.
Pour déplacer la plateforme pendant le tirage de liquide, appuyez sur le bouton de liquide et maintenez-le enfoncé pendant la durée de tirage souhaitée.
Pour déplacer la plateforme sans tirer de liquide, appuyez sur le bouton d'arrêt.
- 6) [Si vous ne souhaitez pas de mousse, sautez l'étape 6) et passez à l'étape 7).]
Tout en appuyant sur le bouton de tirage, appuyez sur le bouton de mousse et maintenez-le enfoncé. Lorsque la quantité de mousse souhaitée est tirée, relâchez uniquement le bouton de mousse. Pour ajouter davantage de mousse, appuyez de nouveau sur le bouton de mousse.
- 7) Relâchez le bouton de tirage pour terminer le réglage de la grande chope. Le témoin de réglage s'éteint et le témoin de tirage arrête de clignoter et reste allumé. Si le réglage ne peut être achevé, revenez à l'étape 2).



[b] REGLAGE POUR PETITE CHOPE

- 1) Abaissez la plateforme supérieure. Placez une chope propre sur la plateforme supérieure, sa partie arrière reposant contre la paroi.
- 2) Voir étapes 2) à 7) dans « [a] REGLAGE POUR GRANDE CHOPE ».



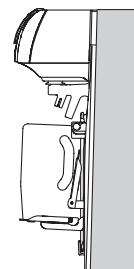
6. TIRAGE

IMPORTANT

Servez de la bière conformément aux réglementations locales applicables.

[a] TIRAGE AUTOMATIQUE

- 1) Vérifiez que le robinet de bière ne goutte pas. Placez une chope propre sur la même plateforme que celle utilisée pour le réglage.



- 2) Appuyez sur le bouton de tirage. L'appareil tire automatiquement la quantité définie de liquide et de mousse.

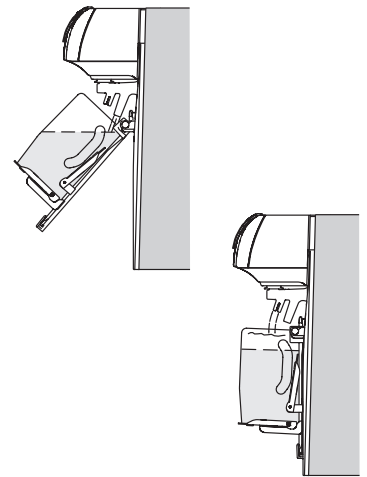
IMPORTANT

L'opération d'inclinaison de la chope est réglée en usine sur « 0 : Oui » (la chope est inclinée lors du tirage de bière).

- 3) Pour ajouter davantage de mousse, appuyez sur le bouton de mousse et maintenez-le enfoncé jusqu'à ce que la quantité de mousse souhaitée soit tirée.

IMPORTANT

Placez une chope sur la plateforme une fois que la mousse restante arrête de s'égoutter du robinet de bière.



[b] ARRET DU TIRAGE AUTOMATIQUE

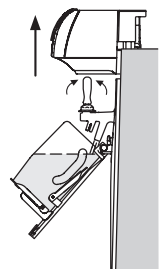
IMPORTANT

En cas de panne de courant pendant l'opération de tirage et si le panneau de commande est relevé, n'exercez aucune force pour l'abaisser une fois que le courant est revenu, contactez votre revendeur/fournisseur.

Si l'écran indique un code d'erreur (E_ _), mettez l'appareil hors tension, puis sous tension. Si l'écran affiche toujours le code d'erreur, contactez votre revendeur/fournisseur.

Pour arrêter le tirage automatique à la moitié de l'opération :

- 1) Appuyez sur le bouton d'arrêt. La plateforme s'arrête dans cette position. Lorsque le bouton d'arrêt est de nouveau enfoncé, la plateforme revient dans sa position d'origine.
- 2) Si le tirage ne s'arrête pas alors que le bouton d'arrêt est enfoncé, relevez le panneau de commande. La poignée du robinet se détache du panneau de commande et revient en position fermée. Si de la bière continue à s'écouler, déplacez la poignée d'avant en arrière.



ATTENTION

Afin de réduire le risque de blessures, ne placez pas vos doigts dans l'ouverture du bas du panneau de commande tant qu'il est relevé.

- 3) Fermez le raccord pour fût attaché au fût de bière. Reportez-vous à « II. 3. [d] REMPLACEMENT DU FUT DE BIERE ».

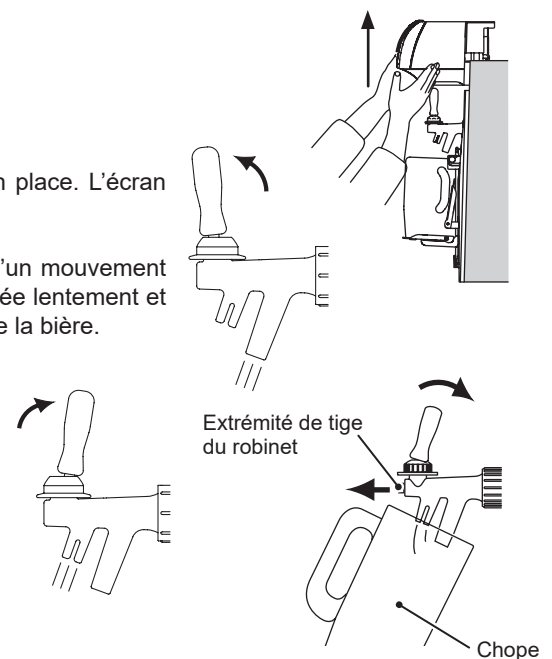
Pour arrêter le tirage automatique en cas de panne de courant ou d'erreur :

Suivez les étapes 2) et 3) ci-dessus.

[c] TIRAGE MANUEL

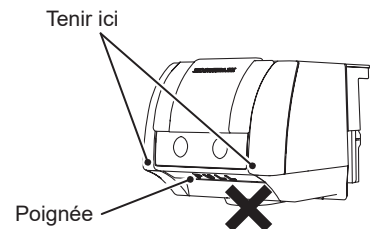
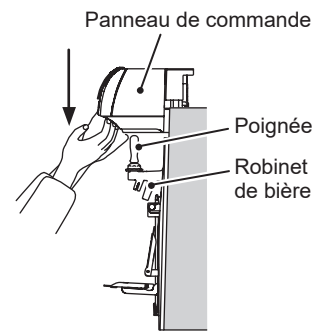
- 1) Soulevez le panneau de commande lentement jusqu'à ce qu'il se bloque en place. L'écran indique « OFF » (arrêt).
- 2) Pour tirer de la bière, tirez la poignée du robinet vers vous jusqu'en butée d'un mouvement rapide. Pour éviter une formation excessive de mousse, ne tirez pas la poignée lentement et ne l'arrêtez pas à mi-course. Relâchez la poignée pour arrêter l'écoulement de la bière.
- 3) Pour tirer de la mousse, poussez la poignée du robinet jusqu'en butée d'un mouvement rapide. Pour éviter d'obtenir de la mousse liquide, n'arrêtez pas la poignée à mi-course. Relâchez la poignée pour arrêter l'écoulement de la mousse.

Remarque : Lorsque la poignée du robinet de bière est poussée au cours d'un tirage manuel, l'extrémité de la tige du robinet ressort. Veillez à ne pas cogner la chope sur la tige.



[d] COMMUTATION VERS LE MODE DE TIRAGE AUTOMATIQUE

- 1) Tenez le bas du panneau de commande et tirez la poignée avant vers vous pour la déverrouiller.
- 2) Abaissez le panneau de commande jusqu'en butée jusqu'à cacher la poignée du robinet de bière. Le témoin de tirage s'allume.



⚠ ATTENTION

Pour éviter les blessures, ne tenez pas la partie indiquée par une croix, mais plutôt la surface courbe située à l'avant lorsque vous abaissez le panneau de commande.

Pour éviter les dommages, n'exercez aucune force pour abaisser le panneau de commande si vous n'avez pas déverrouillé la poignée.

7. CAPTEUR DE FIN DE FUT

Lorsque le fût de bière est vide, l'appareil détecte automatiquement l'état et arrête le tirage. Le témoin de fin de fût s'allume, et le bouton de tirage ne peut plus être actionné.

IMPORTANT

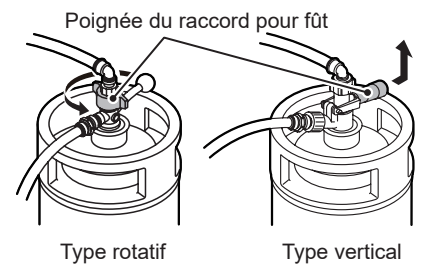
Le capteur de fin de fût est réglé en usine sur « 0 : Réglage A (principalement de la bière) ».

En mode de tirage manuel, l'appareil ne s'arrête pas de tirer même si le témoin de fin de fût s'allume. Faites attention au niveau du fût pendant le tirage de la bière.

Lorsque le témoin de fin de fût s'allume, remplacez le fût de bière. Reportez-vous à « 3. [d] REMPLACEMENT DU FUT DE BIERE » et « 4. [b] POMPAGE DE LA BIERE VERS LE ROBINET ».

8. FIN DU TIRAGE

- 1) Fermez le circuit de bière.
Type rotatif : Tournez la poignée du raccord pour fût dans le sens inverse des aiguilles d'une montre jusqu'en butée.
Type vertical : Déverrouillez et relevez au maximum la poignée du raccord pour fût.



IMPORTANT

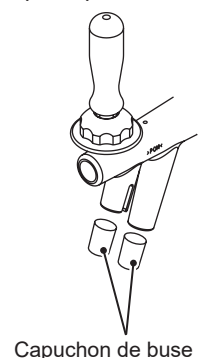
Lorsque le raccord pour fût est fermé sur le fût, il est possible qu'il reste du gaz dans le circuit de bière. Afin d'éviter la formation excessive de mousse ou un tirage insatisfaisant, pompez la bière dans le circuit jusqu'à ce que du gaz s'échappe du robinet avant de commencer à vous servir de la tireuse le jour suivant. Reportez-vous à « 4. [b] POMPAGE DE LA BIERE VERS LE ROBINET ».

- 2) Rincez le circuit de bière en vous reportant à « III. 2. CIRCUIT DE BIERE (AU QUOTIDIEN) ».
- 3) Tournez le cadran de réglage du détendeur pour régler la pression sur « 0 » (MPa).
- 4) Fermez la valve principale de la bouteille de CO2 en la tournant dans le sens des aiguilles d'une montre.

Remarque : Afin d'éviter une quantité excessive de CO2 dans le fût de bière, fermez toujours la valve principale de la bouteille de CO2 à la fin du tirage.

- 5) Essuyez l'humidité présente à l'extrémité des buses du robinet de bière. Nettoyez et attachez les capuchons de buses (fournis).

Remarque : Fixez toujours les capuchons de buse fournis à la fin du tirage ou lorsque l'appareil n'est pas utilisé, afin d'empêcher l'entrée d'insectes ou de saleté dans les buses du robinet de bière.



9. ARRET

[a] ARRET

1) Vérifiez que le raccord pour fût est fermé. Reportez-vous à « 8. FIN DU TIRAGE ».

Remarque : Si le raccord pour fût est ouvert, le sol risque d'être mouillé en cas de fuite de bière.

2) Débranchez l'appareil. L'unité de réfrigération et le moteur d'agitateur s'arrêtent.

[b] VIDANGE DU RESERVOIR D'EAU

▲ HYGIENE

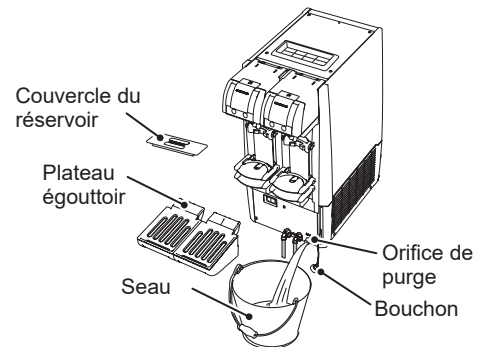
Lorsque vous arrêtez la tireuse pour plus d'une semaine, vidangez le réservoir d'eau afin d'éviter la contamination de l'eau.

Remarque : Après l'arrêt, plusieurs jours sont nécessaires à la fonte de la glace contenue dans le réservoir d'eau. Avant de vidanger le réservoir d'eau, arrêtez l'appareil à l'avance et vérifiez que la glace a fondu dans le réservoir d'eau. Dans le cas contraire, il ne pourra pas être complètement vidangé.

1) Retirez le plateau égouttoir (fourni). Reportez-vous à « III. 3. PLATEAU EGOUTTOIR ET GRILLE (AU QUOTIDIEN) ».

2) Placez un seau d'une contenance d'au moins 35 l devant l'appareil. Retirez le bouchon de l'orifice de purge pour vidanger le réservoir d'eau.

3) Après avoir vidangé le réservoir d'eau, retirez le panneau supérieur pour sécher l'intérieur du réservoir d'eau.



III. ENTRETIEN

▲ AVERTISSEMENT

Avant de réaliser des opérations de nettoyage ou d'entretien, débranchez la tireuse de la prise d'alimentation réseau.

Ne nettoyez pas cet appareil à l'aide d'un jet d'eau.

AVIS

Pour empêcher des dommages éventuels, ne nettoyez pas les pièces en plastique à l'aide d'eau à plus de 40 °C ni dans un lave-vaisselle.

Utilisez un produit nettoyant neutre pour l'entretien quotidien et un détergent cationique (chlorure de benzalkonium) pour un nettoyage antiseptique.

Pour ne pas endommager les surfaces peintes ou en plastique, n'utilisez pas de dissolvant, d'essence, d'alcool, de pétrole, de poudre de savon, de poudre de polissage, de détergent alcalin, d'acide, de brosse à récurer et, en particulier, de produits de nettoyage pour ventilateurs et cuisinières. En outre, pour éviter la formation de rouille, n'utilisez pas d'eau de javel chlorée (hypochlorite de sodium).

Si vous utilisez des lingettes nettoyantes, respectez les consignes du fabricant.

Utilisez un chiffon propre et lavez-vous les mains au préalable.

Dans certains cas, un nettoyage plus fréquent pourrait se révéler nécessaire.

▲ HYGIENE

Si vous utilisez un détergent cationique ou de l'hypochlorite de sodium, lisez attentivement les consignes fournies pour éviter des problèmes de santé potentiels.

Après le tirage, nettoyez le circuit de bière tous les jours afin d'éviter sa contamination.

Lavez-vous les mains avant de manipuler ou de nettoyer les pièces.

1. NETTOYAGE DE BASE

- 1) Lavez-vous les mains.
- 2) Préparez des chiffons propres.
- 3) Débranchez l'appareil.
- 4) Mélangez environ 10 ml de détergent cationique à 10 % (chlorure de benzalkonium) solution dans 1 l d'eau chaude (30 à 40 °C). Humidifiez un chiffon sec pour nettoyer les pièces.
- 5) Au bout de 3 minutes, essuyez tous les résidus de savon à l'aide d'un chiffon imbibé d'eau froide ou chaude. Essuyez ensuite l'appareil à l'aide d'un chiffon propre.

IMPORTANT

Les résidus de solution nettoyante risquent d'endommager les surfaces métalliques et plastiques.

Pour éliminer l'accumulation de saleté, utilisez un produit nettoyant neutre et rincez-le sous l'eau du robinet.

2. CIRCUIT DE BIÈRE (AU QUOTIDIEN)

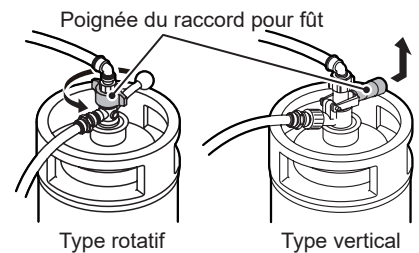
Pour vidanger le circuit de bière, utilisez le réservoir de nettoyage spécifié par le brasseur. Suivez les instructions fournies avec le réservoir de nettoyage.

- 1) Appuyez sur le bouton de vidange du panneau de commande. Vérifiez que le témoin de vidange s'allume.

- 2) Fermez le circuit de bière.

Type rotatif : Tournez la poignée du raccord pour fût dans le sens inverse des aiguilles d'une montre jusqu'en butée.

Type vertical : Déverrouillez et relevez au maximum la poignée du raccord pour fût.



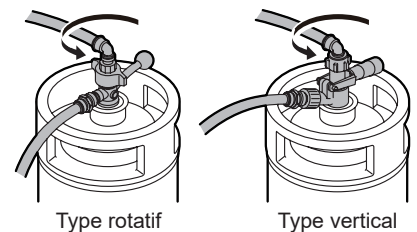
- 3) Tournez le cadran de réglage du détendeur pour régler la pression sur « 0 » (MPa).

- 4) Fermez la valve principale de la bouteille de CO2 en la tournant dans le sens des aiguilles d'une montre.

- 5) Appuyez sur le bouton de liquide pour tirer la bière restant dans le circuit.

- 6) Lorsque la bière ne sort plus, appuyez sur le bouton d'arrêt.

- 7) Tournez le raccord pour fût dans le sens inverse des aiguilles d'une montre pour le retirer du fût.

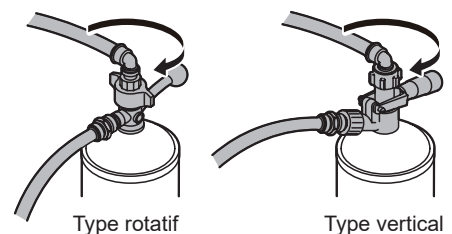


- 8) Nettoyez soigneusement le réservoir de nettoyage puis remplissez-le d'eau du robinet.

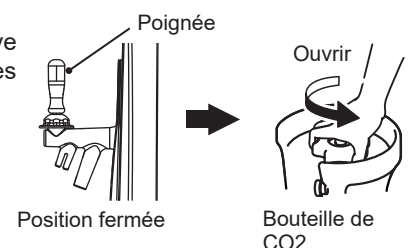
Remarque : Si le réservoir de nettoyage n'est pas propre, il contaminera le circuit de bière.

- 9) Tournez le raccord pour fût dans le sens des aiguilles d'une montre pour le fixer au réservoir de nettoyage.

Remarque : Nettoyez le raccord entre le raccord pour fût et le réservoir de nettoyage s'il n'est pas propre.



- 10) Vérifiez que la poignée du robinet est en position (normale) fermée. Ouvrez la valve principale de la bouteille de CO2 en la tournant plusieurs fois dans le sens inverse des aiguilles d'une montre.



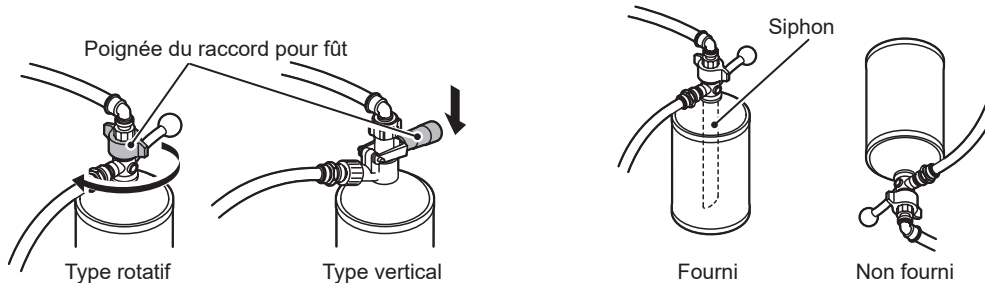
11) Tournez le cadran de réglage du détendeur pour régler la pression sur « 0,15 » (MPa).

12) Ouvrez le circuit de bière.

Type rotatif : Tournez la poignée du raccord pour fût dans le sens des aiguilles d'une montre jusqu'en butée.

Type vertical : Abaissez la poignée du raccord pour fût jusqu'à ce qu'elle se verrouille en position.

Remarque : Si le réservoir de nettoyage est équipé d'un siphon, posez le réservoir de nettoyage orienté virole en haut. En l'absence de siphon, posez le réservoir de nettoyage orienté virole en bas.



13) Retirez les plateformes et le plateau égouttoir et placez un seau sous le robinet de bière.

14) Appuyez sur le bouton de liquide pour tirer l'eau présente dans la buse de liquide. Répétez plusieurs fois l'opération jusqu'à ce qu'il ne sorte plus d'eau.

Appuyez sur le bouton de mousse pour tirer l'eau présente dans la buse de mousse. Répétez plusieurs fois l'opération jusqu'à ce qu'il ne sorte plus d'eau.

15) Lorsqu'il ne sort plus d'eau de la buse, maintenez la poignée du robinet en position ouverte et tournez le cadran de réglage du détendeur pour régler la pression sur « 0 » (MPa).

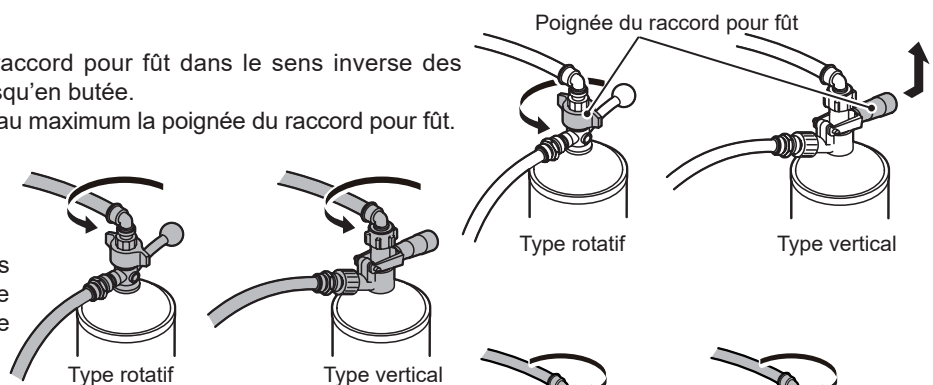
16) Fermez la valve principale de la bouteille de CO2 en la tournant dans le sens des aiguilles d'une montre.

17) Lorsque le CO2 ne sort plus de la buse, appuyez sur le bouton d'arrêt pour fermer le robinet.

18) Fermez le circuit de bière.

Type rotatif : Tournez la poignée du raccord pour fût dans le sens inverse des aiguilles d'une montre jusqu'en butée.

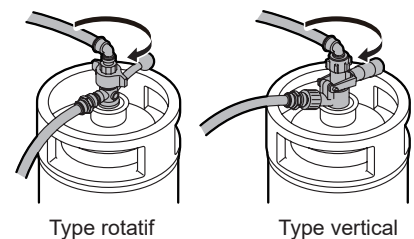
Type vertical : Déverrouillez et relevez au maximum la poignée du raccord pour fût.



19) Tournez le raccord pour fût dans le sens inverse des aiguilles d'une montre pour le retirer du réservoir de nettoyage.

20) Tournez le raccord pour fût dans le sens des aiguilles d'une montre pour le fixer au fût de bière.

Remarque : Nettoyez le raccord entre le raccord pour fût et le fût de bière s'il n'est pas propre.



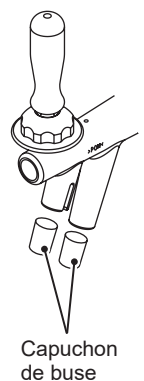
21) Nettoyez soigneusement l'intérieur du réservoir de nettoyage, posez-le à l'envers afin de le faire sécher et fermez-le bien pour le stockage.

22) Placez la plateforme sur les supports.

23) Appuyez sur le bouton de vidange du panneau de commande. Vérifiez que le témoin de vidange s'éteint et que le témoin de fin de fût s'allume.

24) Essuyez l'humidité présente à l'extrémité des buses du robinet de bière. Nettoyez et attachez les capuchons de buses (fournis).

Remarque : Fixez toujours les capuchons de buse fournis à la fin du tirage ou lorsque l'appareil n'est pas utilisé, afin d'empêcher l'entrée d'insectes ou de saleté dans les buses du robinet de bière.



3. PLATEAU EGOUTTOIR ET GRILLE (AU QUOTIDIEN)

1) Relevez l'avant du plateau égouttoir et tirez-le vers vous.

Remarque : Veillez à ne pas renverser d'eau ni de bière dans le plateau égouttoir.

2) Nettoyez la grille et le plateau égouttoir à l'eau du robinet.

3) Placez la grille sur le plateau égouttoir et montez ce dernier en le poussant bien dans son support.

4. PLATEFORME (AU QUOTIDIEN)

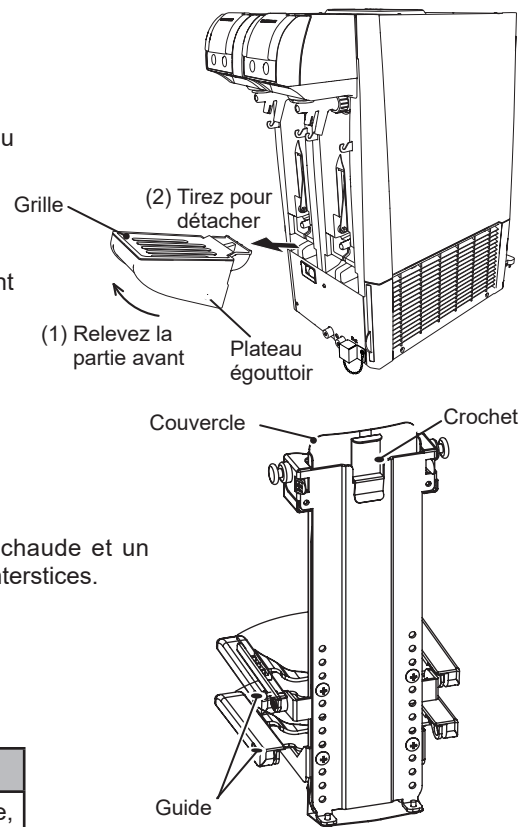
1) Relevez légèrement la plateforme et détachez-la des supports.

2) Soulevez le couvercle de la plateforme pour le détacher.

3) Nettoyez le couvercle la plateforme à l'eau du robinet. Utilisez de l'eau chaude et un chiffon ou une éponge pour éliminer la saleté qui s'est accumulée dans les interstices.

4) Insérez le couvercle dans la plateforme jusqu'à ce qu'il s'accroche.

5) Remettez la plateforme en place sur les supports.



AVIS

Manipulez la plateforme avec soin. Si cette dernière tombe et s'endommage, une détection correcte de la taille de la chope risque de ne pas être possible.

Si la plateforme est endommagée, contactez votre revendeur/fournisseur.

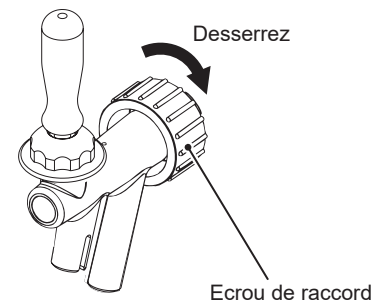
5. NETTOYAGE DU CIRCUIT DE BIERE A L'AIDE DE L'EPONGE (UNE FOIS PAR SEMAINE)

Pour vidanger le circuit de bière, utilisez le réservoir de nettoyage spécifié par le brasseur. Suivez les instructions fournies avec le réservoir de nettoyage.

1) Procédez comme indiqué dans « 2. CIRCUIT DE BIERE (AU QUOTIDIEN) ».

2) Soulevez le panneau de commande lentement jusqu'à ce qu'il se bloque en place.

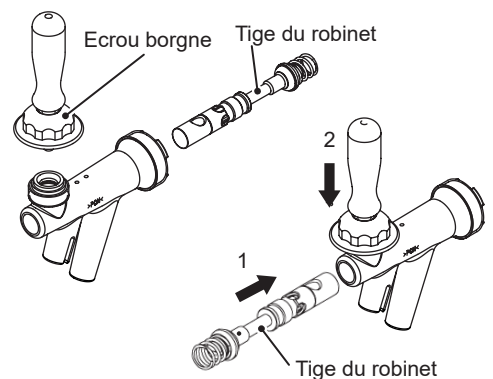
3) Tournez l'écrou de raccord dans le sens des aiguilles d'une montre afin de retirer le robinet.



AVIS

Manipulez le robinet de bière avec soin et ne le laissez pas tomber.

4) Desserrez l'écrou borgne pour démonter le robinet de bière. Positionnez la tige du robinet dans le sens opposé, puis serrez l'écrou borgne.



AVIS

Fixez la tige du robinet dans le sens opposé pour éviter que l'éponge de nettoyage ne bouche le robinet de bière.

Manipulez la tige du robinet avec soin. Si elle est déformée ou endommagée, la bière risque de fuir.

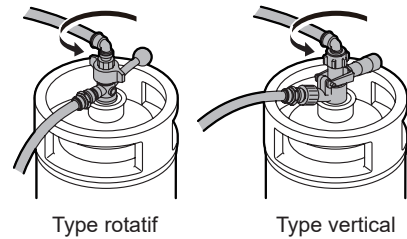
Manipulez la poignée du robinet de bière avec soin et ne la laissez pas tomber.

5) Connectez le robinet de bière sur l'appareil en tournant l'écrou de raccord dans le sens inverse des aiguilles d'une montre.

6) Retirez le plateau égouttoir et la grille fournis. Reportez-vous à « 3. PLATEAU EGOUTTOIR ET GRILLE (AU QUOTIDIEN) ».

7) Placez un seau sous le robinet de bière afin de récupérer l'eau de nettoyage.

8) Tournez le raccord pour fût dans le sens inverse des aiguilles d'une montre pour le retirer du fût.



9) Retirez le raccord rapide pour tuyau de bière du raccord pour fût, puis insérez une seule éponge de nettoyage (fournie) dans le raccord.

AVIS

L'utilisation de plusieurs éponges de nettoyage ou d'une éponge non fournie peut entraîner l'obstruction du circuit de bière. Le cas échéant, contactez votre revendeur/fournisseur.

10) Fixez le raccord rapide pour tuyau de bière sur le raccord pour fût.

11) Nettoyez soigneusement le réservoir de nettoyage puis remplissez-le d'eau du robinet.

Remarque : Si le réservoir de nettoyage n'est pas propre, il contaminera le circuit de bière.

12) Tournez le raccord pour fût dans le sens des aiguilles d'une montre pour le fixer au réservoir de nettoyage.

Remarque : Nettoyez le raccord entre le raccord pour fût et le réservoir de nettoyage s'il n'est pas propre.

13) Ouvrez la valve principale de la bouteille de CO2 en la tournant plusieurs fois dans le sens inverse des aiguilles d'une montre.

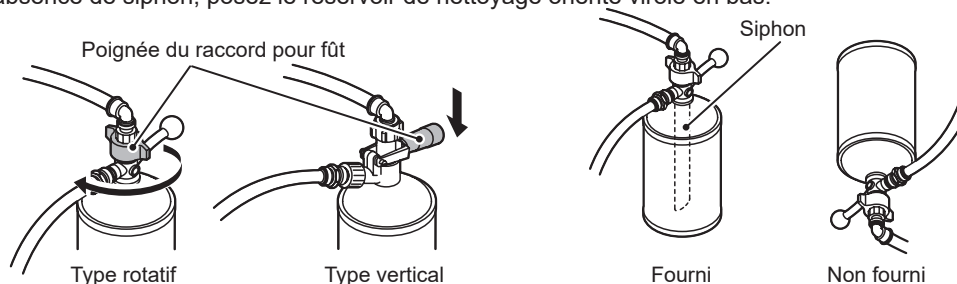
14) Tournez le cadran de réglage du détendeur pour régler la pression sur « 0,15 » (MPa).

15) Ouvrez le circuit de bière.

Type rotatif : Tournez la poignée du raccord pour fût dans le sens des aiguilles d'une montre jusqu'en butée.

Type vertical : Abaissez la poignée du raccord pour fût jusqu'à ce qu'elle se verrouille en position.

Remarque : Si le réservoir de nettoyage est équipé d'un siphon, posez le réservoir de nettoyage orienté virole en haut. En l'absence de siphon, posez le réservoir de nettoyage orienté virole en bas.



16) Attendez que l'éponge de nettoyage et l'eau ressortent de la buse de liquide.

17) Tournez le cadran de réglage du détendeur pour régler la pression sur « 0 » (MPa).

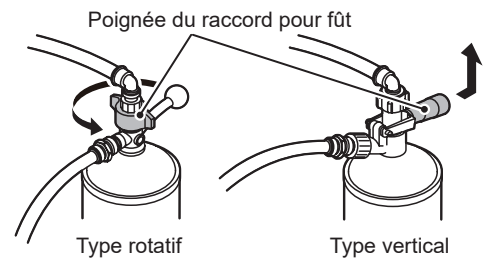
18) Fermez la valve principale de la bouteille de CO2 en la tournant dans le sens des aiguilles d'une montre.

19) Vérifiez que le CO2 arrête de s'échapper de la buse.

20) Fermez le circuit de bière.

Type rotatif : Tournez la poignée du raccord pour fût dans le sens inverse des aiguilles d'une montre jusqu'en butée.

Type vertical : Déverrouillez et relevez au maximum la poignée du raccord pour fût.

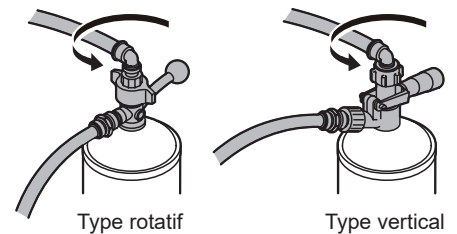


21) Tournez le raccord pour fût dans le sens inverse des aiguilles d'une montre pour le retirer du réservoir de nettoyage.

22) Nettoyez soigneusement et séchez l'éponge de nettoyage, et rangez-la pour une utilisation ultérieure.

23) Répétez les étapes 9) à 22) ci-dessus jusqu'à ce que l'eau s'échappant du robinet de bière soit limpide.

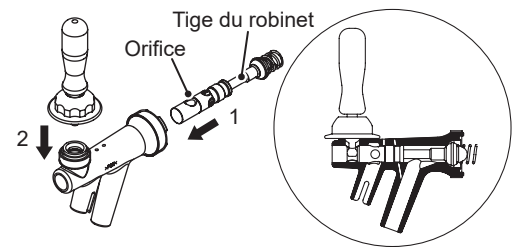
Remarque : Prélevez de l'eau dans une chope ou un verre afin d'en contrôler la limpidité. Répétez plusieurs fois l'opération jusqu'à ce que l'eau soit limpide.



24) Tournez l'écrou de raccord dans le sens des aiguilles d'une montre afin de retirer le robinet.

25) Desserrez l'écrou borgne pour démonter le robinet de bière. Positionnez la tige du robinet dans le sens d'origine (normal) tout en alignant les orifices du robinet de bière et de la tige du robinet (le gros orifice tourné vers le haut), et serrez l'écrou borgne.

Remarque : Montez correctement le robinet ; à défaut, vous ne pourriez tirer la bière correctement.



26) Connectez le robinet de bière sur l'appareil en tournant l'écrou de raccord dans le sens inverse des aiguilles d'une montre.

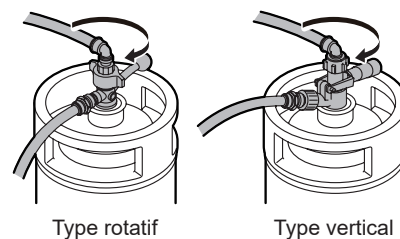
27) Nettoyez soigneusement l'intérieur du réservoir de nettoyage, posez-le à l'envers afin de le faire sécher et fermez-le bien pour le stockage.

28) Tenez le bas du panneau de commande et tirez la poignée avant vers vous pour la déverrouiller. Abaissez le panneau de commande jusqu'en butée pour cacher la poignée du robinet de bière.

Remarque : Pour éviter un dysfonctionnement, n'abaissez pas le panneau de commande alors que le robinet de bière est retiré.

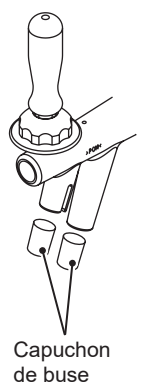
29) Tournez le raccord pour fût dans le sens des aiguilles d'une montre pour le fixer au fût de bière.

Remarque : Nettoyez le raccord entre le raccord pour fût et le fût de bière s'il n'est pas propre.



30) Essuyez l'humidité présente à l'extrémité des buses du robinet de bière. Nettoyez et attachez les capuchons de buses (fournis).

Remarque : Fixez toujours les capuchons de buse fournis à la fin du tirage ou lorsque l'appareil n'est pas utilisé, afin d'empêcher l'entrée d'insectes ou de saleté dans les buses du robinet de bière.



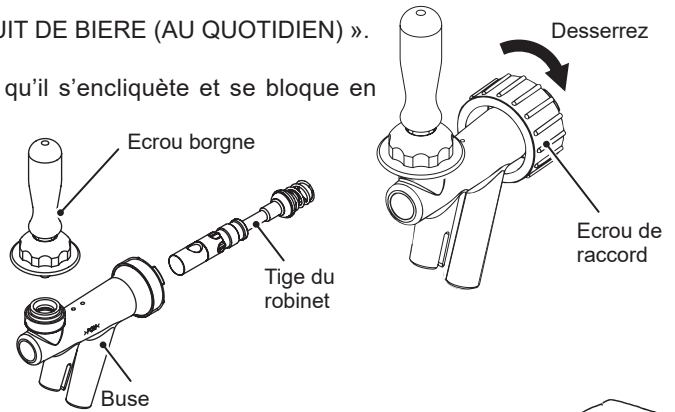
6. DEMONTAGE ET NETTOYAGE DU ROBINET DE BIÈRE (UNE FOIS PAR SEMAINE)

1) Procédez comme indiqué aux étapes 1) à 7) dans « 2. CIRCUIT DE BIÈRE (AU QUOTIDIEN) ».

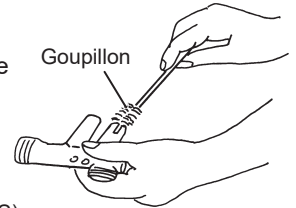
2) Soulevez le panneau de commande lentement jusqu'à ce qu'il s'encliquète et se bloque en place.

3) Tournez l'écrou de raccord dans le sens des aiguilles d'une montre afin de retirer le robinet.

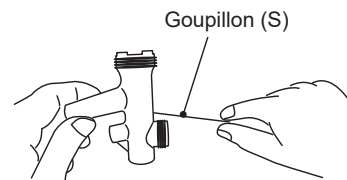
4) Desserrez l'écrou borgne pour démonter le robinet de bière.



5) Utilisez un produit vaisselle neutre et le goupillon fourni pour nettoyer l'intérieur du robinet de bière et la tige du robinet.



6) Utilisez le goupillon (S) fourni pour nettoyer les deux petits orifices du robinet.

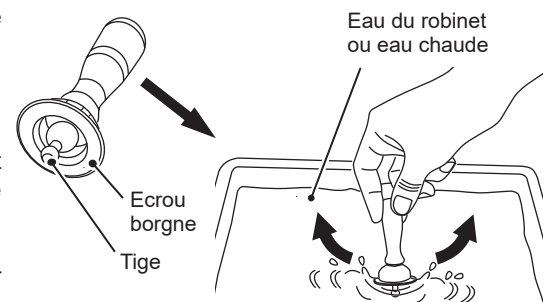


7) Trempez la tige et l'intérieur de l'écrou borgne dans de l'eau du robinet ou de l'eau chaude, puis secouez-les pour éliminer les saletés.

8) Rincez soigneusement ces pièces à l'eau du robinet.

9) Positionnez la tige du robinet dans le sens d'origine (normal) tout en alignant les orifices du robinet de bière et de la tige du robinet (le gros orifice tourné vers le haut), et serrez l'écrou borgne.

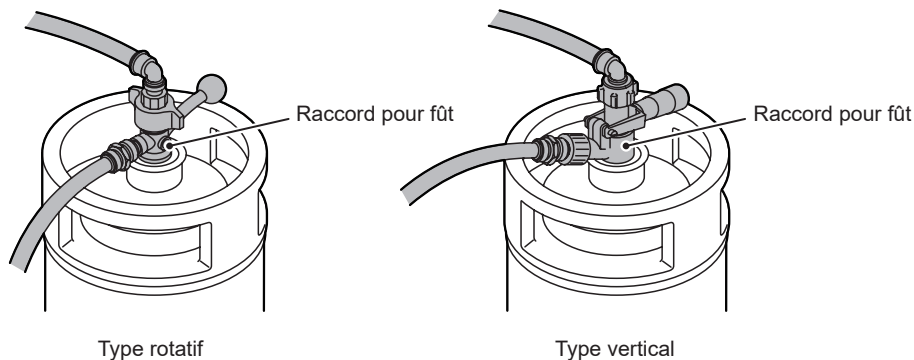
Remarque : Montez correctement le robinet ; à défaut, vous ne pourriez tirer la bière correctement.



10) Tenez le bas du panneau de commande et tirez la poignée avant vers vous pour la déverrouiller. Abaissez le panneau de commande jusqu'en butée pour cacher la poignée du robinet de bière.

7. RACCORD POUR FUT (UNE FOIS PAR SEMAINE)

Respectez les instructions du brasseur pour nettoyer le raccord pour fût.



8. EXTERIEUR (UNE FOIS PAR SEMAINE)

L'extérieur se contamine facilement. Maintenez-le toujours propre.

AVIS

Pour éviter un endommagement, n'utilisez pas de produit nettoyant autre qu'un nettoyant neutre pour nettoyer l'extérieur en plastique.

- 1) Passez-y un chiffon imbibé d'eau chaude et de produit nettoyant neutre.
- 2) Éliminez toute trace de produit nettoyant avec un chiffon humide.

9. FILTRE A AIR (TOUTES LES DEUX SEMAINES)

AVIS

Maintenez le filtre à air propre pour un fonctionnement correct.

N'utilisez pas l'appareil si le filtre à air est retiré. De la poussière pourrait entrer dans l'appareil et entraîner une panne.

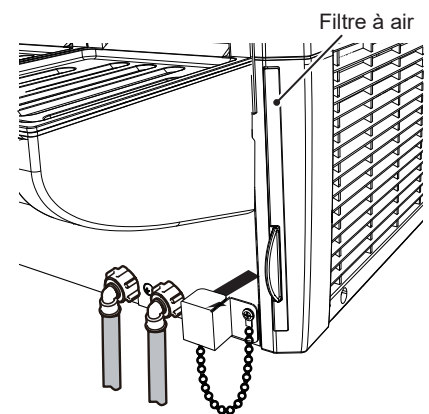
IMPORTANT

Le filtre à air doit être nettoyé tel que requis par les conditions d'installation.

- 1) Extrayez le filtre à air.
- 2) Nettoyez le filtre à air à l'eau froide ou à l'eau chaude additionnée d'un produit nettoyant neutre.

Remarque : Veillez à ne pas endommager la toile du filtre.

- 3) Séchez bien le filtre à air à l'ombre.
- 4) Remettez le filtre à air en place.



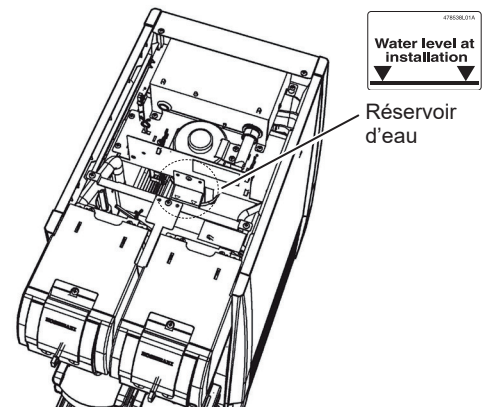
IV. INSPECTION

1. EAU DE RAFRAICHISSEMENT ET ELECTRODE (DEUX FOIS PAR AN)

IMPORTANT

Remplacez l'eau de rafraîchissement et vérifiez que l'électrode est propre deux fois par an.

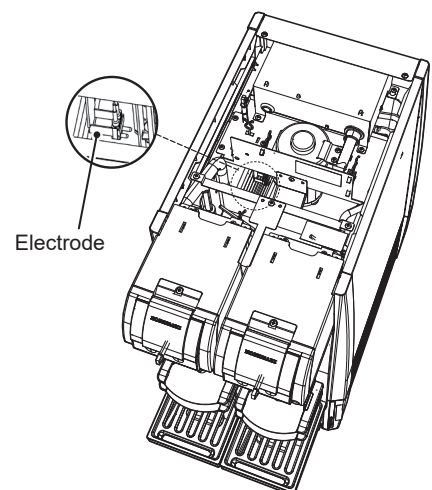
- 1) Débranchez l'appareil. L'unité de réfrigération et le moteur d'agitateur s'arrêtent.
- 2) Déposez le panneau supérieur.
- 3) Vérifiez que le niveau d'eau arrive au-dessus du repère de niveau d'eau à l'intérieur du réservoir.
- 4) Vidangez le réservoir d'eau. Reportez-vous à « II. 9. [b] VIDANGE DU RESERVOIR D'EAU ».
- 5) Vérifiez que l'électrode est propre.



AVIS

Si l'électrode a pris une teinte marron ou noire ou n'est pas propre, contactez votre revendeur/fournisseur.

- 6) Remplissez le réservoir d'eau. Reportez-vous à « II. 2. REMPLISSAGE DU RESERVOIR D'EAU ».
- 7) Branchez l'appareil. L'unité de réfrigération et le moteur d'agitateur démarrent.



IMPORTANT

Il faut compter environ 8 à 13 h entre le démarrage et la fin du stockage de glace dans le réservoir d'eau. La bière tirée risque de ne pas être suffisamment froide tant que la fabrication de glace n'est pas terminée.

2. TUYAU DE GAZ ET TUYAU DE BIERE (UNE FOIS PAR MOIS)

Vérifiez que les tuyaux de gaz et de bière ne présentent pas de dommages, de déformations ni de traces de fuite d'eau (coloration). En cas de problème, contactez votre revendeur/fournisseur.

3. PRISE ET CORDON D'ALIMENTATION ELECTRIQUE (UNE A DEUX FOIS PAR AN)

⚠ AVERTISSEMENT

Vérifiez régulièrement que les broches et la zone autour des broches de la prise sont exemptes de poussière et que la prise est correctement branchée dans le réceptacle. Des broches poussiéreuses ou un mauvais branchement pourraient être à l'origine d'un choc électrique ou d'un incendie.

N'endommagez pas le cordon d'alimentation électrique. Veillez à ne pas le modifier, tirer dessus, l'emmêler, l'écraser ou le coincer : vous risqueriez de provoquer un choc électrique ou un incendie.

L'appareil doit être branché sur une prise d'alimentation électrique qui lui est réservée. Le fait de dériver le cordon d'alimentation électrique, d'utiliser une rallonge ou de brancher d'autres appareils sur la même prise d'alimentation électrique risque de provoquer un choc électrique, un dégagement de chaleur ou un incendie.

Vérifiez que :

- * Les broches et la zone autour des broches de la prise ainsi que le réceptacle ne sont pas poussiéreux. Nettoyez-les si nécessaire.
- * La prise et le cordon d'alimentation électrique ne sont pas endommagés, écrasés ou coincés.
- * La prise est branchée sur une prise d'alimentation électrique qui lui est réservée.

V. INFORMATIONS DIVERSES

1. PREPARATION DE LA TIREUSE EN VUE D'UN STOCKAGE PROLONGE

⚠ AVERTISSEMENT

Si la tireuse n'est pas utilisée pendant plus d'une semaine, débranchez l'appareil.

- 1) Vidangez le réservoir d'eau en vous reportant à « II. 9. [b] VIDANGE DU RESERVOIR D'EAU ».
- 2) Effectuez les procédures d'entretien suivantes pour nettoyer et vidanger le circuit de bière et maintenir l'appareil propre :
 - III. 5. NETTOYAGE DU CIRCUIT DE BIERE A L'AIDE DE L'EPONGE (UNE FOIS PAR SEMAINE)
 6. DEMONTAGE ET NETTOYAGE DU ROBINET DE BIERE (UNE FOIS PAR SEMAINE)
 7. RACCORD POUR FUT (UNE FOIS PAR SEMAINE)
 8. EXTERIEUR (UNE FOIS PAR SEMAINE)
 9. FILTRE A AIR (TOUTES LES DEUX SEMAINES)
- 3) Lors du redémarrage de l'appareil, procédez comme suit :
 - II. 1. NETTOYAGE DU CIRCUIT DE BIERE
 2. REMPLISSAGE DU RESERVOIR D'EAU
 3. CONTROLES A EFFECTUER AVANT L'UTILISATION (AU QUOTIDIEN)
 4. MISE EN MARCHE
 5. REGLAGE DES QUANTITES DE LIQUIDE ET DE MOUSSE
 6. TIRAGE
 7. CAPTEUR DE FIN DE FUT
 8. FIN DU TIRAGE

2. AVANT D'APPELER UN REPARATEUR

Si la tireuse ne fonctionne pas correctement, vérifiez le tableau suivant avant d'appeler un réparateur. Si le problème existe toujours, mettez l'interrupteur d'alimentation (disjoncteur de fuite à la terre) en position arrêt et contactez votre revendeur/fournisseur.

N'essayez pas de réparer vous-même l'appareil. Seul du personnel qualifié est habilité à réparer l'appareil.

Problème	Cause possible	Solution
L'appareil ne démarre pas.	L'appareil est débranché.	Branchez-le.
	Le fusible est grillé.	Contactez votre revendeur/fournisseur.
	Panne de courant.	Attendez que le courant soit rétabli.
La bière n'est pas froide.	Pas de glace dans le réservoir d'eau.	Attendez que de la glace se soit formée.
	Moins de 8 à 13 heures après que l'interrupteur d'alimentation (disjoncteur de fuite à la terre) a été mis en position marche.	La fabrication de glace prend 8 à 13 heures en fonction de la température ambiante et de la température de l'eau. Attendez 8 à 13 heures avant de tirer la bière.
	La température ambiante est supérieure à 30 °C.	Ventilez à l'aide d'un ventilateur pour abaisser la température ambiante.
	Pas d'eau de rafraîchissement dans le réservoir d'eau.	Remplissez le réservoir d'eau. Reportez-vous à « II. 2. REMPLISSAGE DU RESERVOIR D'EAU ».
	L'entrée ou la sortie d'air est obstruée ou sale.	Nettoyez ou éliminez l'obstruction. Reportez-vous à « III. 9. FILTRE A AIR (TOUTES LES DEUX SEMAINES) ».
Aucune bière n'est tirée.	Le fût de bière est vide.	Remplacez-le par un nouveau fût. Reportez-vous à « II. 3. [d] REMPLACEMENT DU FUT DE BIERE ».
	La bouteille de CO2 est vide.	Remplacez-la par une bouteille neuve. Reportez-vous à « II. 3. [b] REMPLACEMENT DE LA BOUTEILLE DE CO2 ».
	La valve principale de la bouteille de CO2 est fermée.	Ouvrez-la.
	Le détendeur est réglé sur « 0 ».	Réglez le détendeur sur une pression appropriée. Reportez-vous à « II. 3. [b] REMPLACEMENT DE LA BOUTEILLE DE CO2 ».
	Le raccord pour fût n'est pas fixé correctement sur le fût de bière.	Vérifiez-le et fixez-le correctement. Reportez-vous à « II. 3. [d] REMPLACEMENT DU FUT DE BIERE ».
	La poignée du raccord pour fût est fermée.	Ouvrez le circuit de bière. Reportez-vous à « II. 3. [d] REMPLACEMENT DU FUT DE BIERE ».
	La bière bouche le robinet et la poignée ne se déplace pas sans à-coups.	Démontez et nettoyez le robinet de bière. Reportez-vous à « III. 6. DEMONTAGE ET NETTOYAGE DU ROBINET DE BIERE (UNE FOIS PAR SEMAINE) ».
Bruit anormal.	Bruit de fonctionnement de l'unité de réfrigération ou du moteur du ventilateur de condenseur.	Ceci n'indique pas un problème.
	La surface d'appui n'est pas solide.	Contactez votre revendeur/fournisseur.
	La surface d'appui n'est pas de niveau.	Contactez votre revendeur/fournisseur.
	Quelque chose touche l'appareil.	Tenez cet élément éloigné de l'appareil.

Trop de mousse.	Le fût de bière a été secoué ou déplacé.	Attendez que la bière dans le fût ne bouge plus.
	Le fût de bière est presque vide.	Remplacez-le par un nouveau fût. Reportez-vous à « II. 3. [d] REMPLACEMENT DU FUT DE BIERE ».
	La bouteille de CO2 est restée ouverte après le tirage.	Fermez la bouteille tous les jours à la fin du tirage. Reportez-vous à « II. 8. FIN DU TIRAGE ».
	Le détendeur n'est pas réglé sur une pression appropriée.	Réglez le détendeur sur une pression appropriée. Reportez-vous à « II. 3. [b] REMPLACEMENT DE LA BOUTEILLE DE CO2 ».
	La chope ou le verre n'est pas propre.	Nettoyez-la/le.
	La température de la chope ou du verre est trop élevée.	Respectez les instructions du brasseur.
	Le robinet de bière ou le circuit de bière n'est pas propre.	Nettoyez-le. Reportez-vous à « III. 2. CIRCUIT DE BIERE (AU QUOTIDIEN) ».
	Pas de glace dans le réservoir d'eau.	Attendez que de la glace se soit formée.
	Le tuyau de gaz est raccordé dans le mauvais sens.	Raccordez-le correctement.
L'excès de mousse déborde.	La taille de la chope ou la plateforme utilisée est différente de celle utilisée au moment du réglage.	Placez une chope de la même taille sur la même plateforme que celle utilisée au moment du réglage.
Trop peu ou trop de liquide ou de mousse.	Le cadran de réglage du détendeur a été tourné après le réglage de la quantité de liquide.	Réglez la pression de CO2 et les quantités de liquide et de mousse.
Le témoin de fin de fût s'allume alors que le fût n'est pas vide.	La pression de CO2 n'est pas correctement réglée.	Réglez la pression de CO2 et les quantités de liquide et de mousse.
	Il y a de la mousse dans le tuyau.	Reportez-vous à « Trop de mousse » ci-dessus.

3. MISE AU REBUT

Respectez la réglementation locale concernant la mise au rebut de cet appareil et de son gaz réfrigérant.

Mise au rebut adéquate de cet appareil :

Ce logo indique que cet appareil ne doit pas être mis au rebut avec d'autres déchets ménagers au sein de l'UE. Pour éviter une mise au rebut incontrôlée susceptible de porter préjudice à l'environnement ou à la santé humaine, recyclez-le de manière responsable afin d'encourager la réutilisation durable des ressources matérielles. Pour rendre votre appareil usagé, utilisez les systèmes de reprise et de collecte ou contactez le revendeur qui vous a vendu le produit. Il pourra reprendre cet appareil et s'assurer qu'il soit recyclé dans le respect de l'environnement.



4. GARANTIE

Hoshizaki garantit au propriétaire/à l'utilisateur initial que tous les appareils de marque Hoshizaki sont exempts de vices de matériaux et/ou de fabrication durant toute la « période de garantie ». La garantie est effective pour une durée d'un an à compter de la date d'installation. La responsabilité d'Hoshizaki au titre de la garantie est limitée et ne s'applique pas aux entretiens routiniers, au nettoyage ni aux travaux d'entretien et/ou de réparation essentiels consécutifs à un mauvais usage de l'appareil ou à une installation ne respectant pas les instructions fournies par Hoshizaki.

Les réparations au titre de la garantie doivent être effectuées par un revendeur ou une entreprise de services agréé(e) Hoshizaki avec des pièces d'origine Hoshizaki.

FRANÇAIS

Pour de plus amples détails sur votre garantie et les entreprises de services agréées, veuillez contacter votre revendeur/fournisseur ou le bureau Hoshizaki Service le plus proche :

Hoshizaki UK - Royaume-Uni, Irlande
TEL : +44 845 456 0585
FAX : +44 132 283 8331
uksales@hoshizaki.uk

Hoshizaki Middle East - Moyen-Orient
TEL : +971 48 876 612
FAX : +971 48 876 613
sales@hoshizaki.ae

Hoshizaki Deutschland - Allemagne, Suisse, Autriche,
Pologne, République tchèque, Slovaquie
TEL : +49 5121 697370
FAX : +49 5121 6973719
vertrieb@hoshizaki.de

Hoshizaki Benelux - Pays-Bas, Belgique, Luxembourg
TEL : +31 85 018 83 70
info@hoshizaki.nl

Hoshizaki France - France
TEL : +33 1 48 63 93 80
FAX : +33 1 48 63 93 88
info@hoshizaki.fr

Hoshizaki Italia - Italie
TEL : +39 344 0616467
TEL : +39 348 3022156
info@hoshizaki.it

Hoshizaki Iberia - Espagne, Portugal
TEL : +34 93 478 09 52
FAX : +34 93 478 08 00
info@hoshizaki.es

Hoshizaki Europe B.V. - tous les autres pays d'Europe et
d'Afrique
TEL : +31 20 6918499
FAX : +31 20 6918768
sales@hoshizaki.nl

CARACTERISTIQUES

Modèle	DBF-AS65WE-EU-HC
Alimentation électrique	Monophasée 220 - 240 V 50 Hz
Capacité de tirage	65 l (30 °C à 8 °C / 4 heures)
Temps nécessaire à la formation de la glace	11 heures (température initiale de l'eau de rafraîchissement : 25 °C)
Capacité de stockage de glace	12 l
Dimensions	367 mm (l) x 674 mm (P) x 764 mm (H)
Réfrigérant	R600a, 80 g
Agent d'expansion de mousse d'isolation	HFO-1233zd(E)
Poids	Net : 50 kg (Brut : 77 kg)
Temp. ambiante	5 - 32 °C

WICHTIGE SICHERHEITSHINWEISE

Im gesamten Handbuch erscheinen Hinweise, die auf Situationen aufmerksam machen, die zum Tod, zu schweren Verletzungen oder Schäden am Gerät führen können.

▲WARNUNG	Weist auf eine gefährliche Situation hin, die zum Tod oder zu schweren Verletzungen führen kann, wenn sie nicht vermieden wird.
▲VORSICHT	Weist auf eine gefährliche Situation hin, die zu leichten oder mittelschweren Verletzungen führen kann, wenn sie nicht vermieden wird.
HINWEIS	Weist auf eine gefährliche Situation hin, die zu Schäden am Gerät führen kann, wenn sie nicht vermieden wird.
▲HYGIENE	Weist auf wichtige Vorsichtsmaßnahmen für die Hygiene und Lebensmittelsicherheit hin.
WICHTIG	Weist auf wichtige Informationen zur Verwendung und Pflege des Geräts hin.

Diese automatische Bierzapfanlage verwendet FKW-freies Kältemittel (Isobutan) und FKW-freie Schaumstoffisolation, bei denen es sich um umweltschonende Materialien handelt, die die Ozonschicht nicht schädigen und geringes Erderwärmungspotenzial aufweisen.

▲WARNUNG	
Diese automatische Bierzapfanlage enthält in seiner Kühleinheit ein entzündliches Kältemittel; Installation, Handhabung, Wartung und Entsorgung dürfen daher nur von zugelassenen Technikern durchgeführt werden.	
Das in dieser automatischen Bierzapfanlage enthaltene Kältemittel ist entzündlich und im Kältesystem eingeschlossen. Obwohl das Kältemittel im normalen Gebrauch nicht austritt, ist beim Umgang mit dieser automatischen Bierzapfanlage äußerst vorsichtig vorzugehen, um das Kältesystem nicht zu beschädigen.	
Im Falle einer versehentlichen Beschädigung des Kältesystems und damit einhergehendem Austreten von Kältemittel:	
<ul style="list-style-type: none"> * Keine Zündquelle in dem Bereich erzeugen. * Keine elektrischen Schalter oder Stecker in dem Bereich betätigen. * Keine offenen Flammen verwenden. * Den Bereich durch Öffnen von Türen und/oder Fenstern sofort lüften. * Einen Wartungstechniker rufen. 	

WICHTIG	
Diese Broschüre ist wesentlicher Bestandteil des Produkts und sollte vom Benutzer aufbewahrt werden.	
Lesen Sie sich die Richtlinien und Warnhinweise in dieser Broschüre aufmerksam durch, denn Sie enthalten wichtige Informationen für den Monteur/Nutzer zur ordnungsgemäßen Installation und sicheren Verwendung und Wartung des Produkts.	
Bewahren Sie diese Broschüre bitte zum Nachschlagen bei möglichen späteren Fragen auf.	

▲ WARNUNG

Bei diesem Produkt handelt es sich um eine handelsübliche automatische Bierzapfanlage. Sie darf nur für den ausdrücklichen Zweck verwendet werden, für den sie konzipiert ist. Jede sonstige Nutzung ist als unsachgemäß anzusehen und daher gefährlich. Der Hersteller kann für Schäden, die durch die unsachgemäße, falsche oder unangemessene Nutzung entstehen, nicht haftbar oder verantwortlich gemacht werden.

Die Installation und ggf. Verlagerung muss von sachkundigen Personen durchgeführt werden, und zwar gemäß den geltenden Vorschriften und entsprechend den Anweisungen des Herstellers.

Halten Sie die Lüftungsöffnungen am Gehäuse des Geräts oder am Gerät selbst frei.

Beschädigen Sie den Kältemittelkreislauf nicht.

Die Wartung ist von geschultem Personal durchzuführen. Der Zugriff auf den Wartungsbereich ist auf Personen beschränkt, die über Kenntnisse und praktische Erfahrungen mit dem Gerät verfügen, insbesondere im Hinblick auf Sicherheit und Hygiene.

Beim Betrieb eines elektrischen Geräts sind einige grundlegende Regeln zu beachten. Insbesondere:

- * Bei hoher Luftfeuchtigkeit und Nässe steigt die Gefahr von Kurzschlüssen und möglichen Stromschlägen. Trennen Sie die Zapfanlage im Zweifelsfall vom Stromnetz.
- * Das Netzkabel darf nicht beschädigt werden. Ziehen Sie nicht am Kabel, um die Zapfanlage vom Stromnetz zu trennen.
- * Der eventuelle Austausch des Netzkabels und/oder Netzsteckers darf nur von einem qualifizierten Servicetechniker durchgeführt werden.
- * Mit feuchten Händen dürfen die elektrischen Teile nicht berührt oder die Schalter betätigt werden.
- * Dieses Gerät darf nicht von Personen (einschließlich Kindern) mit verminderten physischen, sensorischen oder mentalen Fähigkeiten oder mangelnden Erfahrungen und Kenntnissen bedient werden. Kinder ab 8 Jahren und Personen mit verminderten physischen, sensorischen oder mentalen Fähigkeiten oder mangelnden Erfahrungen und Kenntnissen dürfen das Gerät nur bedienen, sofern sie durch eine für ihre Sicherheit verantwortliche Person beaufsichtigt und eingewiesen werden.
- * Kinder dürfen mit dem Gerät nicht spielen.
- * Die Reinigung und vom Benutzer durchführbare Wartungsarbeiten dürfen von Kindern nicht ohne Beaufsichtigung durchgeführt werden.
- * Die Zapfanlage darf nicht modifiziert werden. Das Gerät darf nur von qualifiziertem Personal auseinanderggebaut und repariert werden.

Beim Aufstellen des Geräts darauf achten, dass das Netzkabel nicht eingeklemmt oder beschädigt wird.

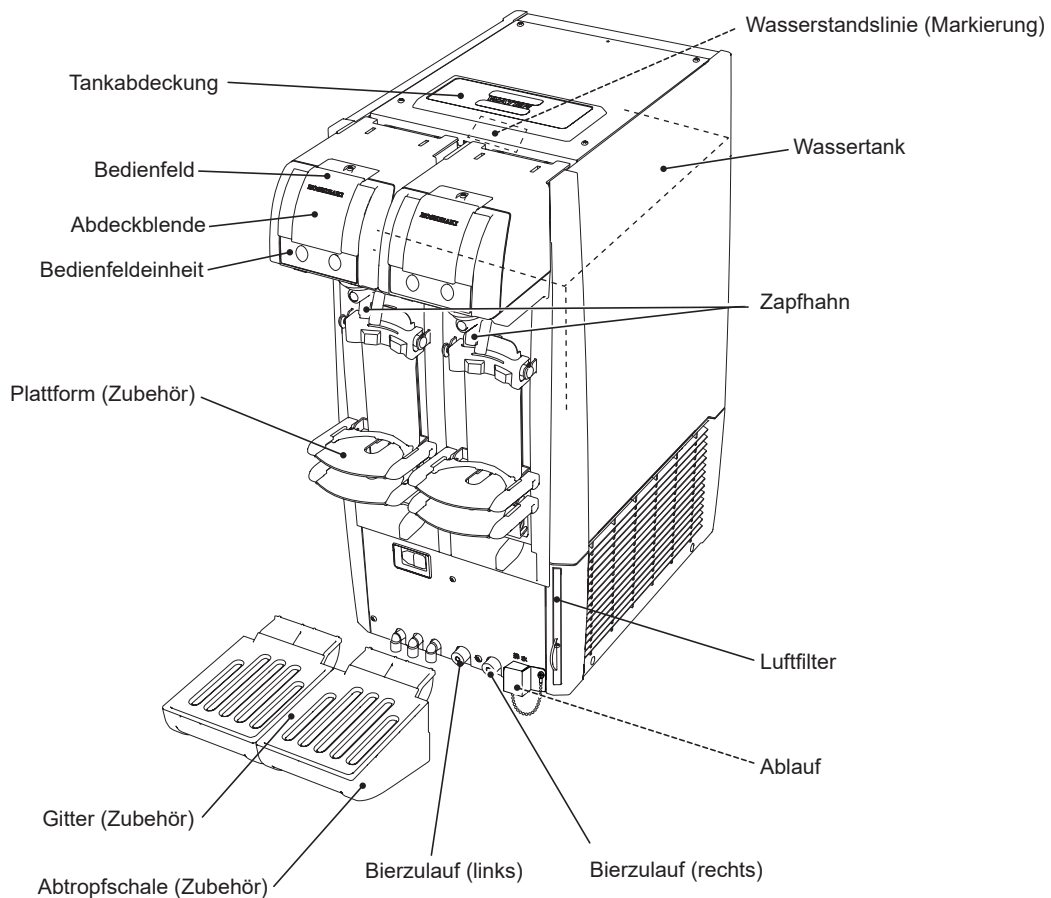
Es dürfen sich keine Mehrfachsteckerleisten oder tragbaren Netzteile hinter dem Gerät befinden.



Dieses ISO 7010 W021-Symbol bedeutet:
Warnung: Feuergefahr

I. INSTALLATIONSANWEISUNGEN

1. KOMPONENTEN



Einstelleuchte
Leuchtet im Einstellungsmodus der Zapfanlage.

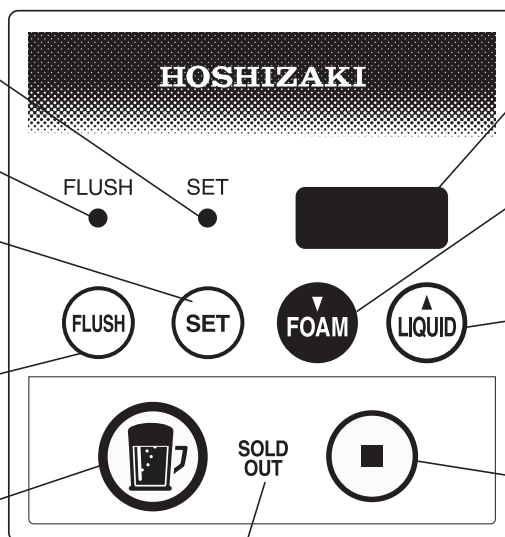
Spüleuchte
Leuchtet im Spülmodus der Zapfanlage.

Einstelltaste
[Einmal drücken]
Schaltet zwischen Einstellungsmodus und Bereitschaftsmodus um (Abgabeleuchte blinkt schnell).
[Gedrückt halten]
Zugriff auf Benutzereinstellungen („U__“ auf Display).

Spültaste
Schaltet zwischen Bereitschaftsmodus und Spülmodus um.

Zapftaste (Abgabeleuchte)
Leuchtet im Bereitschaftsmodus der Zapfanlage.
[Einmal drücken]
Die voreingestellte Menge Bier wird automatisch abgegeben.
[Gedrückt halten]
Zugriff auf die Einstellungen für automatische Abgabe im Einstellungsmodus.

Bedienfeld



Ausverkauft-Leuchte
Leuchtet auf, wenn das Bierfass leer ist.

Display
Zeigt Anzahl Gläser usw. an.

Schaumtaste
[Im Bereitschaftsmodus]
Zum Abgeben von Schaum gedrückt halten.
[Im Spülmodus]
Zum Abgeben von Schaum einmal drücken. Zum Anhalten erneut drücken.

Flüssigkeitstaste
[Im Bereitschaftsmodus]
Zum Abgeben von Flüssigkeit gedrückt halten.
[Im Spülmodus]
Zum Abgeben von Flüssigkeit einmal drücken. Zum Anhalten erneut drücken.

Stoptaste
[Einmal drücken]
Hält den Zapfhahn- oder Plattformbetrieb manuell an.
[Gedrückt halten]
Setzt die Display-Anzeige zurück (z. B. Anzahl Gläser).

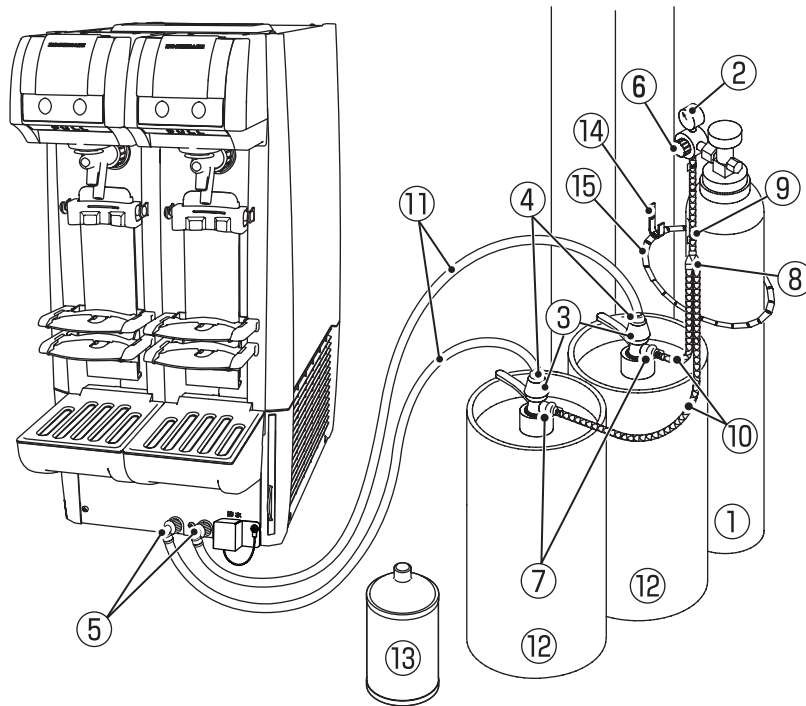
HINWEIS

Öffnen Sie die Blende zum Zugreifen auf andere Tasten und Lampen als die Zapftaste (Zapflampe), Ausverkauft-Lampe und die Stopp-Taste.

Die Blende zum Vermeiden von Schäden nicht mit Gewalt öffnen.

DEUTSCH

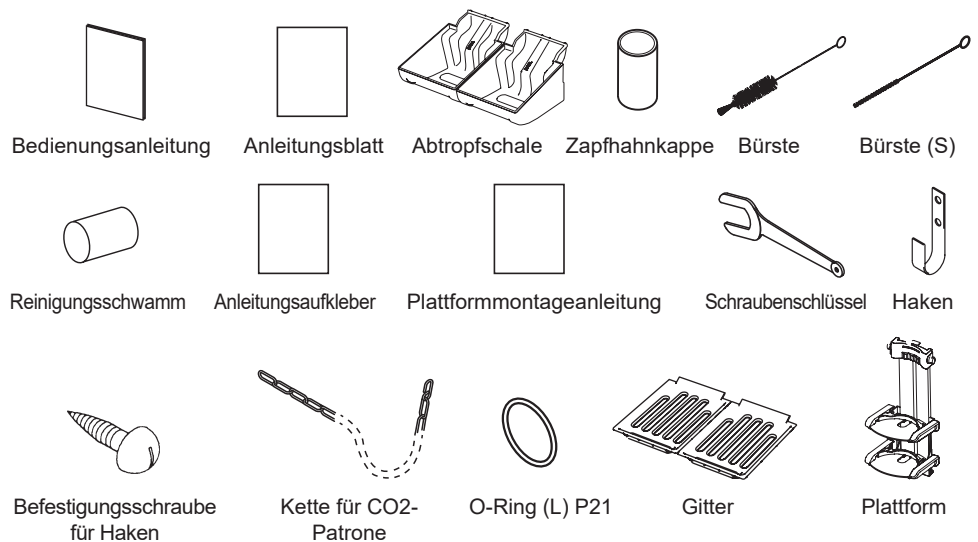
Halten Sie die folgende Ausrüstung zum Installieren bereit. Wenden Sie sich zur Bereitstellung des Reglers, des Zapfkopfs und der CO₂-Patrone für das Bierzapfen an den Getränkehändler, die Brauerei oder den Vertreter.



- [1] CO₂-Patrone
- [2] Regler
- [3] Zapfkopf
- [4] Schnellverbinder für Bierschlauch (Kupplungsseite)
- [5] Schnellverbinder für Bierschlauch (Zapfseite)
- [6] Schnellverbinder für Gasschlauch (Reglerseite)
- [7] Schnellverbinder für Gasschlauch (Kupplungsseite)
- [8] Y-Stück
- [9] Gasschlauch (kurz)
- [10] Gasschlauch (lang)
- [11] Bierschlauch
- [12] Bierfass
- [13] Reinigungstank
- [14] Haken (Zubehör)
- [15] Kette für CO₂-Patrone (Zubehör)

2. ZUBEHÖR

Bedienungsanleitung	1
Anleitungsblatt	1
Abtropfschale	2
Zapfhahnkappe	8
Bürste	1
Bürste (S)	1
Reinigungsschwamm	6
Anleitungsaufkleber	1
Plattformmontageanleitung	1
Schraubenschlüssel	1
Haken	1
Befestigungsschraube für Haken	2
Kette für CO ₂ -Patrone	1
O-Ring (L) P21	1
Gitter	2
Plattform	2



3. AUSPACKEN

⚠️ WARNUNG

Kinder von Verpackungsmaterial (Plastiktüten und Styropor) fernhalten, da diese potenzielle Gefahrenquellen darstellen.

⚠️ VORSICHT

Den Karton nicht an den Paketbändern anheben oder bewegen.

Beim Umstellen des Geräts das Gerät am Geräteboden festhalten.

Das Gerät nicht am Zapfhahn hochheben. Der Zapfhahn könnte beschädigt werden oder das Gerät könnte herunterfallen und Verletzungen verursachen.

Tragen Sie beim Transport des Geräts immer Schutzhandschuhe.

Heben Sie den Karton oder das ausgepackte Gerät immer zu zweit an, um Verletzungen zu vermeiden.

HINWEIS

Entfernen Sie den Karton, die Bänder und die Verpackung. Wenn Verpackungsmaterial in der Zapfanlage verbleibt, funktioniert das Gerät nicht einwandfrei.

Kippen Sie die Zapfanlage nicht um mehr als 45°, um Schäden zu vermeiden.

- 1) Prüfen Sie nach dem Entfernen des Verpackungsmaterials, ob sich die Zapfanlage in gutem Zustand befindet. Im Zweifelsfall sollten Sie die Zapfanlage nicht verwenden, sondern eine qualifizierte Fachkraft hinzuziehen.
- 2) Entfernen Sie die Schutzfolie vom Gerät. Wenn der Dispenser Sonne oder Wärme ausgesetzt ist, die Folie erst abziehen, nachdem der Dispenser abgekühlt ist.
- 3) Entnehmen Sie das Zubehörpaket. Prüfen Sie, ob alle Zubehörteile gemäß „2. ZUBEHÖR“ vorhanden sind.

4. STANDORT

⚠ WARNUNG

Diese Zapfanlage ist nicht zur Nutzung im Freien geeignet.

Die Zapfanlage darf nicht neben einem Ofen, Grill oder einem anderen Gerät aufgestellt werden, das Hitze erzeugt.

Dieses Gerät darf nicht an einem Ort aufgestellt werden, an dem eine Wasserdüse verwendet werden kann.

⚠ VORSICHT

Die Aufstellungsfläche für die Zapfanlage muss eben und fest sein.

HINWEIS

Die Lüftungsöffnungen müssen frei bleiben.

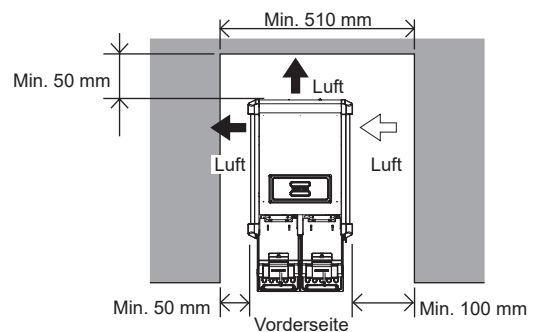
WICHTIG

Die Betriebsumgebungstemperatur muss zwischen 5 °C und 32 °C, die Kühlwassertemperatur nicht über 25 °C und die Temperatur des Bierfasses zwischen 10 °C und 30 °C liegen. Wird die Zapfanlage über einen längeren Zeitraum außerhalb dieser normalen Temperaturbereiche betrieben, kann die Produktionskapazität beeinträchtigt werden.

Lassen Sie zur Erfüllung etwaiger Installationsanforderungen 10 mm zusätzlichen Platz am Aufstellungsort (Sie brauchen auch zusätzlichen Platz für ausreichenden Luftstrom und zum Anschließen von Leitungen).

Die Zapfanlage keiner direkten Sonneneinstrahlung aussetzen.

Halten Sie die unten angegebenen Aufstellungsabstände ein, damit die Luft ungehindert zirkulieren kann und ggf. eine problemlose Wartung und/oder Instandhaltung möglich ist.



In bestimmten Umgebungen mit hoher Luftfeuchtigkeit kann sich Kondensation im Gerät bilden und auf den Boden tropfen. Nicht an einem Ort aufstellen, an dem der Boden durch Wasser beschädigt werden könnte.

Vermeiden Sie, das Gerät längere Zeit direktem Sonnenlicht auszusetzen.

5. AUFSTELLUNG

⚠ VORSICHT

Eine fehlerhafte Aufstellung kann zu Verletzungen oder Sachschäden führen, für die der Hersteller keine Haftung übernimmt.

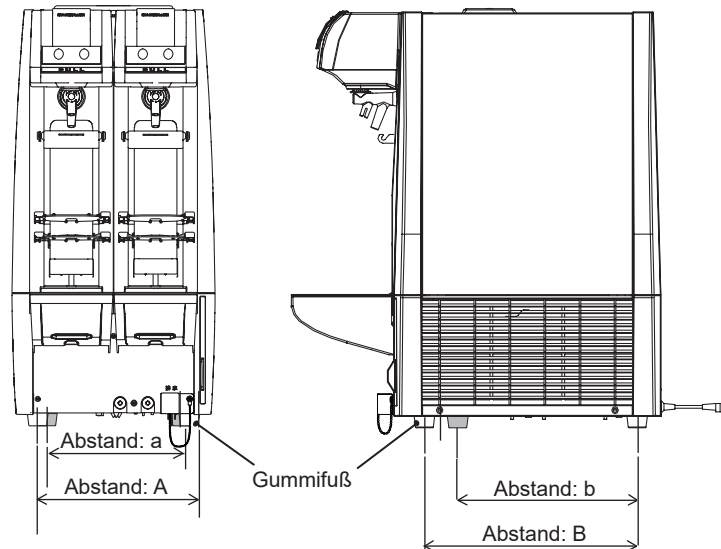
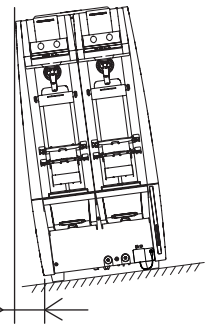
DEUTSCH

[a] ZAPFANLAGE

Die vorderen GummifüÙe lassen sich aus ihrer ursprünglichen Position nach hinten bewegen. Wenn die FüÙe nicht in den Aufstellungsbereich oder auf den Tresen oder Tisch passen, entfernen Sie die vorderen FüÙe mit einem Schraubendreher und bringen Sie sie an den folgenden Positionen wieder an.

Werkseinstellung	Abstand: A	274 mm
	Abstand: B	388 mm
Nach der Justierung	Abstand: a	244 mm
	Abstand: b	328 mm

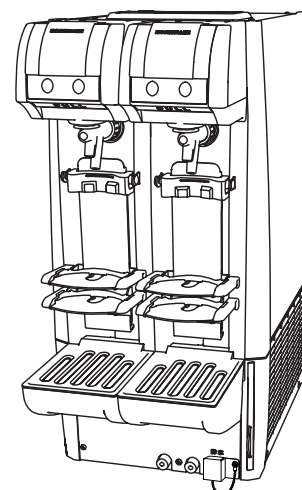
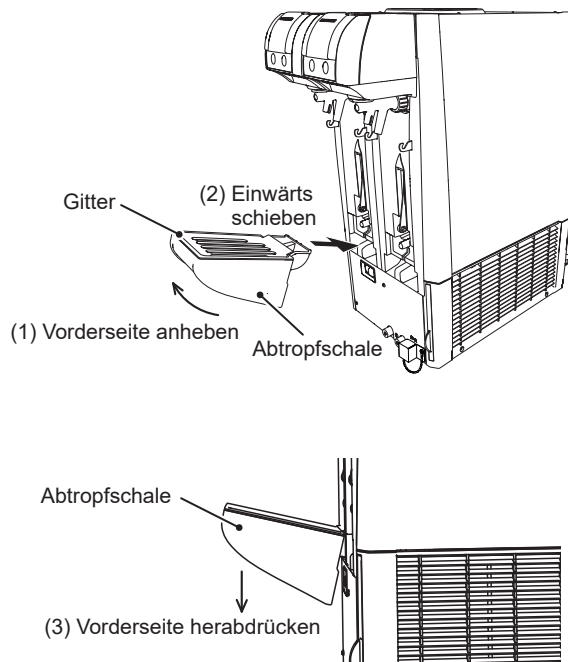
Nicht um mehr als 1 cm neigen



[b] ABTROPFSCHALE

So bringen Sie die Abtropfschale (Zubehör) und das Gitter (Zubehör) an:

- (1) Vorderseite der Abtropfschale anheben,
- (2) Abtropfschale fest in den Abtropfschalenträger schieben und
- (3) Vorderseite der Abtropfschale herabdrücken.

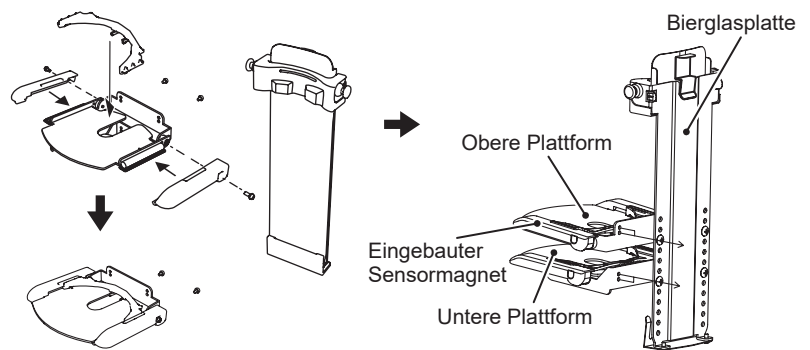


Nach der Installation von Zubehör

[c] JUSTIERUNG DER PLATTFORM

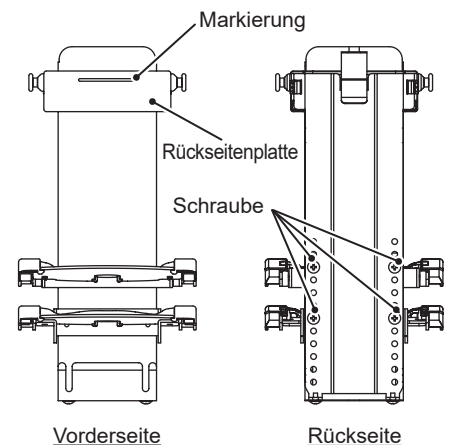
Die obere und die untere Plattformposition lassen sich in Anpassung an zwei Glasgrößen justieren. Auch die Führung kann je nach Glasgröße vor und zurück geschoben werden.

- 1) Die Plattformbaugruppe umfasst die rechts gezeigten Teile.

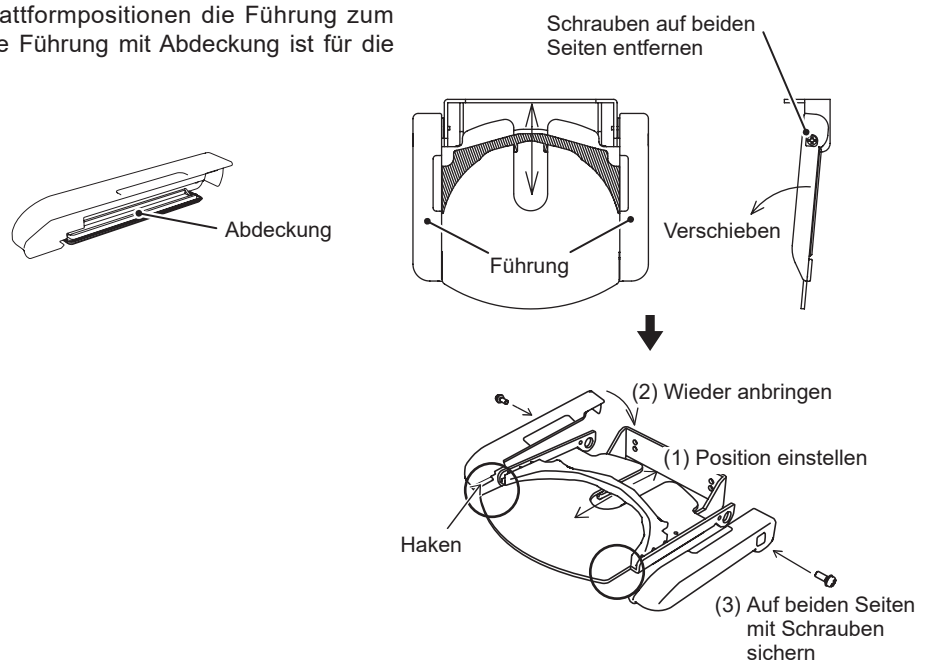


- 2) Bewegen Sie die Plattform in die gewünschte Position und befestigen Sie sie mit den Schrauben.

Die Position der oberen Plattform ist zwischen Höhe 1 und 7 des Bierglasträgers justierbar und die Position der unteren Plattform zwischen Stufe 4 und 12. Die Oberseite des auf der Plattform abgestellten Bierglases muss mit der Markierung auf der Rückplatte übereinstimmen. (Siehe Tabelle auf der nächsten Seite zu Glashöhen und Plattformpositionen.)



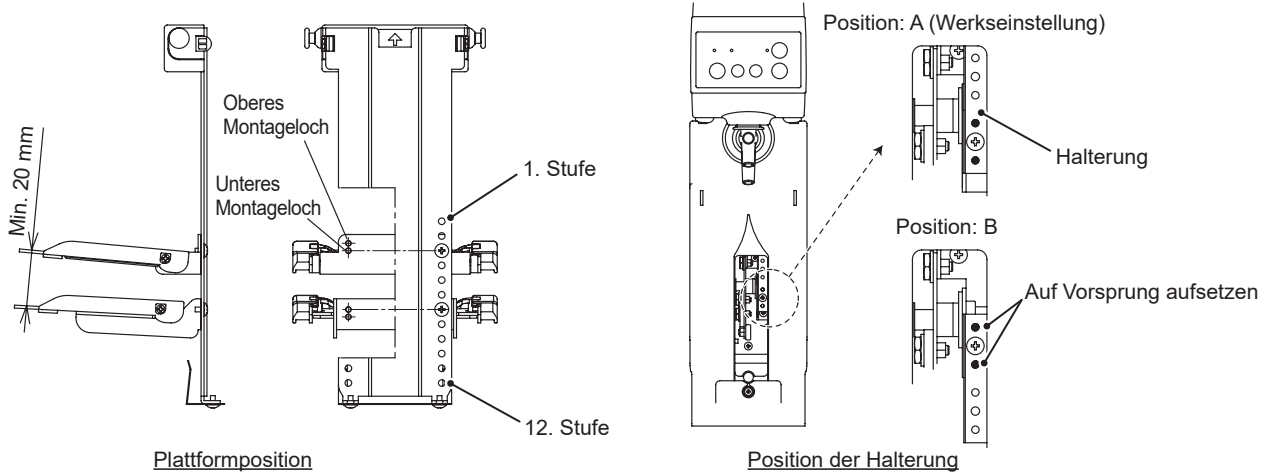
- 3) Bringen Sie nach dem Justieren der Plattformpositionen die Führung zum Positionieren des Bierglasbodens an. Die Führung mit Abdeckung ist für die obere Plattform vorgesehen.



- 4) Bringen Sie die Plattformen wieder am Gerät an.

HINWEIS

Beim Justieren der Position der oberen Plattform auch die Position der Halterung gemäß der Tabelle auf der nächsten Seite justieren.



Höhe der Bierglasplatte	Obere Plattform			Untere Plattform			
	Montageloch	Bierglashöhe (mm)	Position der Halterung	Montageloch	Bierglashöhe (mm)		
1	Unten	135	A	Nicht verfügbar			
	Oben	140					
2	Unten	145					
	Oben	150					
3	Unten	155					
	Oben	160					
4	Unten	165		B	Unten	155	
	Oben	170			Oben	160	
5	Unten	175			Unten	165	
	Oben	180			Oben	170	
6	Unten	185			Unten	175	
	Oben	190			Oben	180	
7	Unten	195	Unten		185		
	Oben	200	Oben		190		
8	Nicht verfügbar				Unten	195	
9					Oben	200	
					Unten	205	
10					Oben	210	
				Unten	215		
11				Oben	220		
				Unten	225		
12				Oben	230		
				Unten	235		
				Oben	240		

Hinweis:
 1) Bierglasdurchmesser: 50 mm Innendurchmesser bis 105 mm Außendurchmesser und Glasbodendurchmesser
 2) Das größere Bierglas muss um mindestens 20 mm höher als das kleinere Bierglas sein.

6. ELEKTRISCHE ANSCHLÜSSE

⚠️ WARNUNG

DIESES GERÄT MUSS GEERDET WERDEN.

Diese Zapfanlage muss gemäß nationaler und lokaler elektrotechnischer Vorschriften geerdet werden.

Um schwere Verletzungen von Personen durch einen elektrischen Schlag oder umfangreiche Schäden am Gerät zu verhindern, muss die Zapfanlage mittels einer geeigneten Erdungsleitung angeschlossen werden.

Ziehen Sie vor Wartungs-, Reparatur- oder Reinigungsarbeiten den Stecker aus der Netzsteckdose.

⚠️ VORSICHT

Die maximal zulässige Spannungsschwankung darf nicht höher als ± 10 Prozent der Nennspannung sein. Der Betrieb des Geräts außerhalb dieses Bereichs kann zu Rauchbildung, Entzünden, Beschädigung des Geräts oder Leistungseinbußen führen.

- * Dieses Gerät erfordert eine separate Stromversorgung. Die Stromversorgung muss durch einen geeigneten Trennschalter abgesichert sein.
- * Normalerweise muss diese Arbeit von einem lizenzierten Elektriker mit entsprechender Genehmigung durchgeführt werden.
- * Wenn das Netzkabel beschädigt ist, muss es durch ein Ersatzkabel ersetzt werden, dass Sie von Ihrem Händler/Lieferanten beziehen können.

7. ANSCHLUSS VON GAS- UND BIERKREISLAUF

[a] CO₂-PATRONE

⚠️ WARNUNG

Verwenden Sie eine zum Bierzapfen vorgesehene CO₂-Patrone. Bei Nutzung anderer Patronen kann es zu einer Explosion oder Luftverunreinigung kommen.

Halten Sie beim Tragen der CO₂-Patrone den Deckel geschlossen und vermeiden Sie Stoßeinwirkungen auf die Patrone, um die Gefahr von Explosionen oder Gaslecks zu reduzieren.

Setzen Sie CO₂-Patrone keinem direkten Sonnenlicht oder Temperaturen über 40 °C aus, um einen übermäßigen Temperaturanstieg und eine Explosion zu vermeiden.

Der Regler muss mit einem beschädigungsfreien Dichtring versehen sein, um Gaslecks zu verhindern. Ist dies nicht der Fall, wenden Sie sich zur Installation einer neuen Dichtung an den Getränkehändler, die Brauerei oder den Vertreiber.

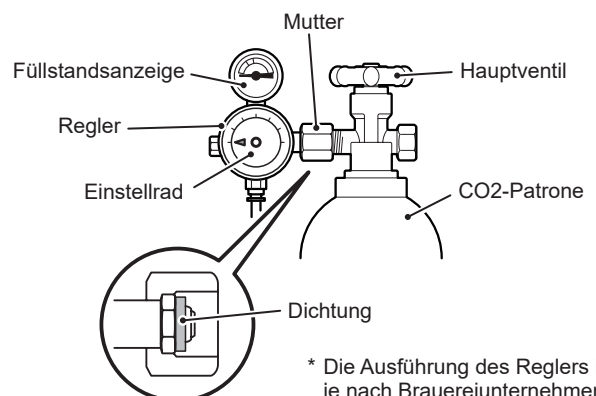
Stellen Sie die CO₂-Patrone aufrecht ab und befestigen Sie sie mit der zugehörigen Kette, damit sie nicht umkippt und Verletzungen oder eine Explosion verursacht.

Halten Sie Ihr Gesicht von der CO₂-Patrone fern, wenn Sie Schmutz und Staub von der Reglerverbindung blasen. Staub, der in Ihre Augen gelangt, kann diese schädigen.

Handhaben Sie den Regler vorsichtig, um Stöße zu vermeiden; anderenfalls funktioniert er möglicherweise nicht einwandfrei oder das Bierfass oder der Schlauch könnte explodieren.

Setzen Sie den Regler auf „0“, bevor Sie das Hauptventil der CO₂-Patrone öffnen oder den Zapfkopf vom Bierfass entfernen. Die plötzliche Einwirkung des Gasdrucks auf das Bierfass kann anderenfalls eine Explosion oder ein Abspringen des Zapfkopfs verursachen.

- 1) Öffnen Sie das Hauptventil der neuen CO₂-Patrone eine Sekunde lang, um Schmutz und Staub vom Verbindungsstück zu blasen (zusammen mit CO₂-Gas).
- 2) Prüfen Sie die Reglerdichtung. Falls sie beschädigt oder nicht vorhanden ist, installieren Sie eine neue Dichtung. (Wenden Sie sich an den Getränkehändler, die Brauerei oder den Vertreiber.)
- 3) Montieren Sie den Regler fest an der CO₂-Patrone.



HINWEIS

Ziehen Sie die Mutter zunächst von Hand und dann mit dem Schlüssel (Zubehör) so an, dass die Füllstandsanzeige aufrecht ist.

DEUTSCH

- Öffnen Sie das Hauptventil, indem Sie es gegen den Uhrzeigersinn drehen, und prüfen Sie, ob an der Reglermutter Gas austritt (Geräusch). Wenn Gas austritt, ist entweder die Mutter lose oder die Dichtung beschädigt oder gar nicht vorhanden.

Hinweis: Legen Sie zum Prüfen auf Gasaustritt einen in Seifenlösung getränkten Schwamm an die Verbindungsstelle an. Im Falle eines Gasaustritts bilden sich Seifenblasen.

[b] SCHLAUCHVERBINDUNGEN

⚠ WARNUNG

Zum Vermeiden von Gaslecks und einer Explosion des Schlauchs dürfen nur von der Brauerei vorgegebene Schläuche verwendet werden.

Schneiden Sie das Schlauchende so, dass er eine vertikale Schnittfläche aufweist, und schieben Sie es für eine leckfreie Verbindung fest in den Schlauch-Schnellverbinder.

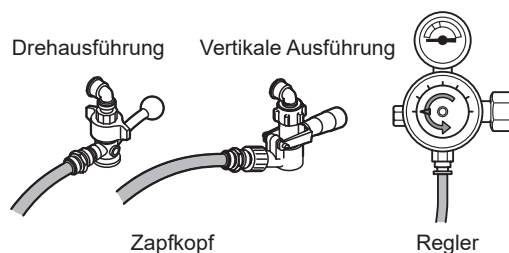
HINWEIS

Wenn ein Schlauch erneut angeschlossen wird, muss er zunächst um etwa 20 mm abgeschnitten werden.

Schneiden Sie den Schlauch mit einem Spezialwerkzeug ab, z. B. mit einem Schlauchschneider. Verwenden Sie keine Schere, da der Schlauch sonst geknickt und beschädigt werden kann, wodurch ein Leck entstehen könnte.

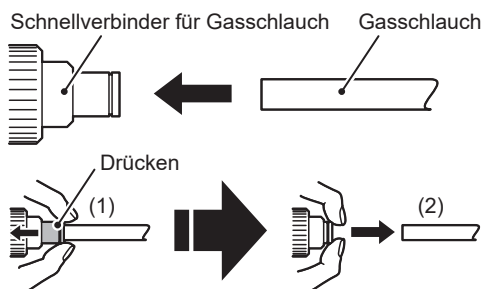
Schlauch der CO2-Patrone

- Schneiden Sie den CO2-Schlauch so ab, dass er eine vertikale Schnittfläche aufweist und nicht länger als 1,4 m ist.
- Stecken Sie den CO2-Schlauch fest in den Schlauch-Schnellverbinder am Zapfkopf und am Regler. Ziehen Sie zum Prüfen des festen Sitzes kräftig am Schlauch.



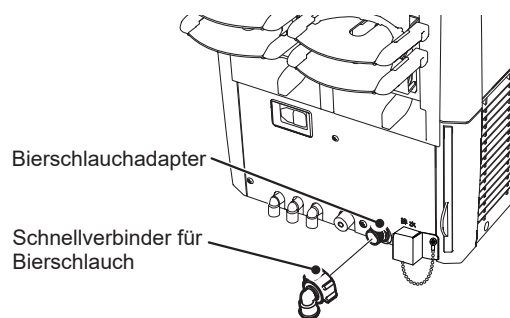
Schnellverbinder für Gasschlauch

- Schieben Sie den CO2-Schlauch zum Verbinden so weit wie möglich hinein.
- Um den CO2-Schlauch zu trennen, drücken und halten Sie den Teil (1) mit der Hand und ziehen Sie den Schlauch (2) ab.

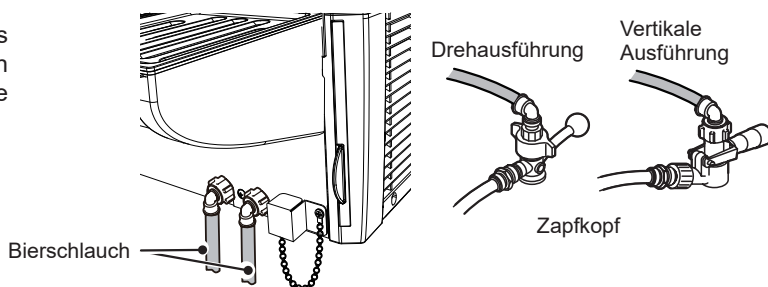


Bierschlauch

- Befestigen Sie den Schnellverbinder für den Bierschlauch, der vom Brauereunternehmen empfohlen wurde, am Bierschlauchadapter.
- Schneiden Sie den Bierschlauch so ab, dass er eine vertikale Schnittfläche aufweist und nicht länger als 2,1 m ist.
- Führen Sie den Bierschlauch fest in den Zapfkopf und Schnellverbinder für den Bierschlauch. Ziehen Sie zum Prüfen des festen Sitzes kräftig am Schlauch.



Hinweis: Die genaue Art und Weise der Verbindung des Bierschlauchs mit dem Schnellverbinder für den Bierschlauch bzw. Trennung von diesem ist je nach Brauereunternehmen unterschiedlich.



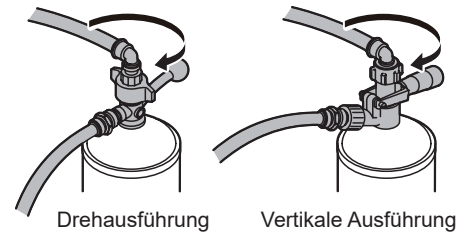
[c] KONTROLLE NACH DER VERBINDUNG

1) Waschen Sie den Reinigungstank sorgfältig aus und füllen Sie ihn mit Leitungswasser.

Hinweis: Wenn der Reinigungstank nicht sauber ist, kann dies zu einer Verunreinigung des Bierkreislaufs führen.

2) Drehen Sie den Zapfkopf im Uhrzeigersinn, um ihn am Reinigungstank anzubringen.

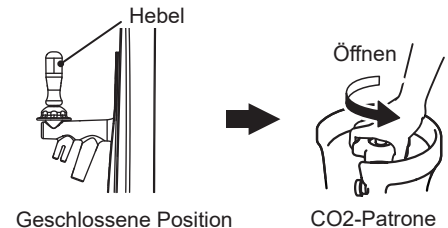
Hinweis: Waschen Sie die Verbindung zwischen dem Zapfkopf und dem Reinigungstank, falls sie verunreinigt ist.



3) Heben Sie die Plattform an, um sie zu entfernen.

4) Stellen Sie einen Eimer auf die Abtropfschale, um das Reinigungswasser aufzufangen.

5) Prüfen Sie, ob der Zapfhahn-Hebel geschlossen ist (Normalposition). Öffnen Sie das Hauptventil der CO₂-Patrone, indem Sie es einige Male entgegen dem Uhrzeigersinn drehen.

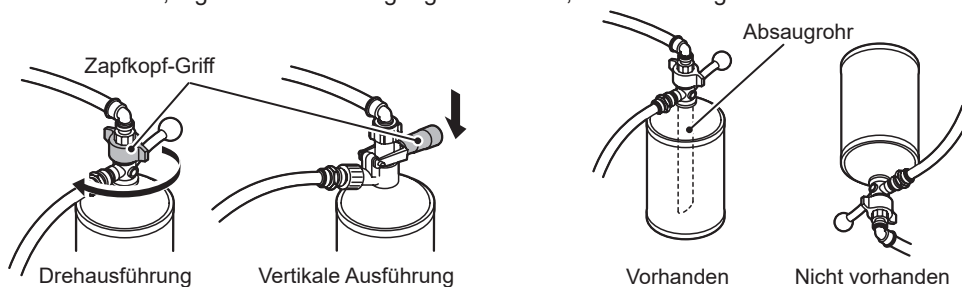


7) Öffnen Sie den Bierkreislauf.

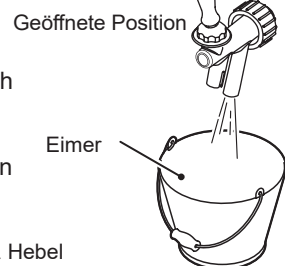
Drehausführung: Drehen Sie den Zapfkopf-Griff bis zum Anschlag im Uhrzeigersinn.

Vertikale Ausführung: Drücken Sie den Griff des Zapfkopfs herunter, bis er einrastet.

Hinweis: Wenn der Reinigungstank ein Absaugrohr besitzt, legen Sie den Reinigungstank so hin, dass der Ring nach oben weist. Wenn nicht, legen Sie den Reinigungstank so hin, dass der Ring nach unten weist.



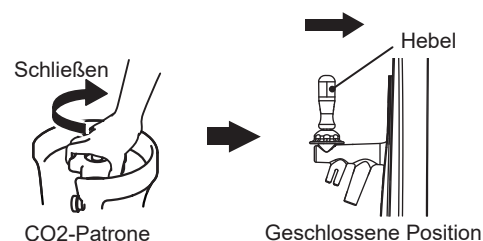
8) Ziehen Sie den Zapfhahn-Hebel zu sich hin, damit Wasser aus dem Flüssigkeitshahn austritt.



9) Prüfen Sie den CO₂-Kreislauf auf Gaslecks. Falls ein Leck vorhanden ist, schließen Sie den Schlauch erneut an.

10) Prüfen Sie den Bierkreislauf auf Wasserlecks. Falls ein Leck vorhanden ist, schließen Sie den Schlauch erneut an.

11) Halten Sie den Zapfhahn-Hebel in der geöffneten Stellung und drehen Sie das Einstellrad des Reglers, um den Druck auf „0“ (MPa) zu setzen.



12) Schließen Sie das Hauptventil der CO₂-Patrone, indem Sie es im Uhrzeigersinn drehen.

13) Wenn kein CO₂-Gas mehr aus dem Hahn austritt, drücken Sie den Zapfhahn-Hebel wieder in die geschlossene Stellung.

8. KONTROLLE NACH DER INSTALLATION

1) Füllen Sie den Wassertank wie vorgegeben mit Wasser. Dies ist unter „II. 2. WASSERTANK FÜLLEN“ beschrieben.

2) Spülen Sie den Bierkreislauf und prüfen Sie ihn auf Wasserlecks. Siehe „III. 2. BIERKREISLAUF (TÄGLICH)“ beschrieben.

3) Prüfen Sie, ob die geeignete Versorgungsspannung anliegt.

4) Schließen Sie den Netzstecker wieder an das Netz an.

* Prüfen Sie, ob die Kühleinheit und der Rührmotor starten.

(Bei niedrigen Temperaturen startet der Motor des Kondensatorgebläses möglicherweise erst, wenn sich der Kondensator um ein gewisses Maß erwärmt hat.)

* Öffnen Sie nach 8 bis 13 Stunden (je nach Umgebungs-/Wassertemperatur) die obere Abdeckung und prüfen Sie, ob sich Eis im Wassertank befindet.

5) Weisen Sie den Nutzer in die Bedienung des Geräts ein.

6) Übergeben Sie diese Anleitung an den Nutzer.

9. EINSTELLUNG DES AUSVERKAUFT-SENSORS („U07“)

Sie können je nach gezapftem Getränk (z. B. Bier, Cocktail) unter vier Modi auswählen.

1) Senken Sie das Bedienfeld auf der gewünschten Seite ab.

2) Halten Sie die Einstelltaste am Bedienfeld gedrückt, bis „U01“ auf dem Display erscheint.

3) Rufen Sie mit der Schaumtaste oder der Flüssigkeitstaste „U07“ auf dem Display auf.

4) Drücken Sie die Einstelltaste, um sich die aktuelle Nummer auf dem Display anzeigen zu lassen. Wählen Sie mit der Schaumtaste oder der Flüssigkeitstaste die gewünschte Nummer (siehe Tabelle unten). Drücken Sie die Einstelltaste zum Einstellen der blinkenden Nummer.

Nr.	Einstellung
0	Einstellung A (hauptsächlich Bier)
1	Einstellung B (hauptsächlich Cocktail)
2	Einstellung C (hauptsächlich Cocktail)
3	Einstellung D (optional)

Hinweis: Der Ausverkauft-Sensor ist werkseitig auf „0: Einstellung A (hauptsächlich Bier)“ gesetzt. Die Einstellung hängt davon ab, welche Getränkemarke gezapft wird. Fragen Sie Ihren Händler/Lieferanten.

5) Drücken Sie die Einstelltaste erneut, um „U07“ am Display aufzurufen. Halten Sie zum Abschließen der Einstellung die Einstelltaste länger als 3 Sekunden gedrückt.

Hinweis: Erfolgt länger als 1 Minute keine Bedienung, so erfolgt eine Rückkehr in den Zapfmodus. Gehen Sie in diesem Fall zurück zu Schritt 2) oben.

10. BENUTZEREINSTELLUNGEN

Einstellungen vornehmen oder ändern:

Halten Sie die Einstelltaste 3 Sekunden lang gedrückt, um den Einstellmodus aufzurufen (siehe „9. EINSTELLUNG DES AUSVERKAUFT-SENSORS („U07“)“).

Einstellungen abschließen:

Halten Sie bei Anzeige von „U_ _“ auf dem Display die Einstelltaste 3 Sekunden lang gedrückt, um den Zapfmodus aufzurufen. Auch wenn länger als 1 Minute keine Bedienung erfolgt, erfolgt eine Rückkehr in den Zapfmodus.

Element		Beschreibung	Standard	Einstellbereich
U01	Digitale Anzeige (im Zapfmodus)	0: Keine Anzeige 1: Anzahl Gläser (*) * Nummer schaltet bei Änderung der Glaseinstellung zwischen größerem und kleinerem Glas um. * Zum Zurücksetzen die Stoptaste 3 Sekunden lang gedrückt halten.	0	0 - 1

U02	Protokoll der Anzahl Gläser	<p>Protokoll der Anzahl Gläser für jede Rücksetzung in absteigender Reihenfolge</p> <p>* Das Protokoll wird nacheinander für jeden Fasswechsel durch „U04“ angezeigt.</p> <p>* Das Protokoll wird bei Änderung der Glaseinstellung für größere und kleinere Gläser angezeigt.</p> <p>* Zum Zurücksetzen des aktuellen und älterer Protokolle die Stopptaste 3 Sekunden lang gedrückt halten. Diese Rücksetzung wird unter „U04“ nicht mitgezählt.</p>	0	Bis zu 5 Protokolle
U03	Anzahl Spülzyklen	<p>Anzahl der durchgeführten Spülzyklen</p> <p>* Ein Spülzyklus besteht aus der Betätigung der Flüssigkeitstaste (10 Sekunden insgesamt) + Betätigung der Schaumtaste (3 Sekunden insgesamt) im Spülmodus, es sei denn, es erfolgt keine automatische Abgabe im Verlauf des Zyklus.</p> <p>* Zum Zurücksetzen die Stopptaste 3 Sekunden lang gedrückt halten.</p>	0	0 - 9999
U04	Anzahl Fasswechsel (Rücksetzhäufigkeit)	<p>Rücksetzhäufigkeit der Anzahl Gläser</p> <p>* Ein Fasswechsel wird immer dann gezählt, wenn die Anzahl Fässer durch Betätigen der Stopptaste zurückgesetzt wird.</p> <p>* Zum Zurücksetzen die Stopptaste 3 Sekunden lang gedrückt halten.</p>	0	0 - 9999
U05	Helligkeit der Zapfleuchte	Einstellung der Helligkeit der Zapfleuchte	6	1 - 8
U06	Blinkdauer der Zapfleuchte	<p>Einstellung der Blinkdauer der Zapfleuchte nach Abschluss des Zapfvorgangs</p> <p>* Die Zapfleuchte blinkt, um zu verhindern, dass ein weiteres Glas abgestellt wird, während noch Schaum nachtropft.</p> <p>* Die automatische Abgabe ist bei blinkender Leuchte nicht verfügbar.</p>	1	0 - 10
U07	Einstellung des Ausverkauft-Sensors	<p>0: Einstellung A (hauptsächlich Bier) / Schwellenwert: 2,2 V</p> <p>1: Einstellung B (hauptsächlich Cocktail) / Schwellenwert: 2,5 V</p> <p>2: Einstellung C (hauptsächlich Cocktail) / Schwellenwert: 2,8 V</p> <p>3: Einstellung D (optional) / Schwellenwert: optional</p> <p>* Die Einstellung hängt davon ab, welche Getränkemarkte gezapft wird. Fragen Sie Ihren Händler/Lieferanten.</p>	0	0 - 3
U08	Einstellung Selbsttätig-Modus	<p>0: Nein</p> <p>1: Ja (keine Tastenbedienung möglich außer Zapf-/Stopptaste)</p> <p>* Der Selbsttätig-Modus wird bei Auswahl des manuellen Zapfmodus zurückgesetzt (durch Anheben der Bedienfeldeinheit). Zum Wiederaufnehmen des Selbsttätig-Modus in den automatischen Zapfmodus wechseln (durch Herabziehen der Bedienfeldeinheit) und die Zapftaste drücken.</p>	0	0 - 1
U09	Glasneigevorgang	<p>0: Ja (das Glas wird während der Abgabe von Bier geneigt)</p> <p>1: Nein (das Glas wird während der Abgabe von Bier aufrecht gehalten)</p>	0	0 - 1
U10	Rücksetzung der Anzahl Gläser	<p>0: Manuell</p> <p>1: Manuell oder bei Ansprechen des Ausverkauft-Sensors</p> <p>* Zum manuellen Zurücksetzen die Stopptaste 3 Sekunden lang gedrückt halten.</p>	0	0 - 1
U90	Einstellungen zurücksetzen	<p>Es werden nur die Benutzereinstellungen zurückgesetzt</p> <p>* Zum Zurücksetzen die Stopptaste 3 Sekunden lang gedrückt halten, während „1“ auf dem Display angezeigt wird.</p> <p>* Wenn die Einstellungen aktualisiert werden, erscheint „U90“ auf dem Display. Wenn keine Aktualisierung stattfindet, erscheint wieder „0“.</p>	0	0 - 1

II. BETRIEBSANWEISUNGEN

1. REINIGUNG DES BIERKREISLAUFS

Obwohl der Bierkreislauf vor der Auslieferung gereinigt wird, sollte er vor dem Gebrauch erneut gereinigt werden. Siehe „III. 2. BIERKREISLAUF (TÄGLICH)“ beschrieben.

Prüfen Sie, ob alle Teile an der richtigen Position installiert sind. Siehe „I. 1. KOMPONENTEN“.

2. WASSERTANK FÜLLEN

HINWEIS

Füllen Sie den Wassertank nur mit dem vorgegebenen Wasser. Die Verwendung von anderem Wasser oder die Beimischung von Salz, Essig oder Saft kann Rost oder Perforierung verursachen oder bewirken, dass zu wenig Eis eingelagert wird.

DEUTSCH

[a] ERZEUGEN VON KÜHLWASSER

WICHTIG

Lesen Sie diese Anweisungen sorgfältig durch, bevor Sie den Wassertank füllen.

Elektrische Leitfähigkeit (E.C.) von Kühlwasser für den Wassertank

Verwenden Sie kein Leitungswasser.

Füllen Sie den Wassertank mit Wasser, das eine Leitfähigkeit von 100-300 $\mu\text{S/cm}$ besitzt.

Messen Sie die elektrische Leitfähigkeit mit einem Leitfähigkeitsmessgerät.

* Elektrische Leitfähigkeit: Physikalische Eigenschaft der elektrischen Leitfähigkeit.

Einheit: μS (Mikrosiemens)/cm

Unter 100 $\mu\text{S/cm}$:

Kompressor funktioniert u. U. nicht, wodurch die Kühlleistung beeinträchtigt wird.

Über 300 $\mu\text{S/cm}$:

Es kann zu einer übermäßigen Eisbildung am Verdampfer kommen und das Bier in der Kühleisblase kann gefrieren, wodurch es nicht ordnungsgemäß gezapft werden kann.

Kühlwasser mit einer elektrischen Leitfähigkeit von 100–300 $\mu\text{S/cm}$ herstellen.

Der Wassertank dieses Geräts hat ein Fassungsvermögen von ca. 30 Litern.

Stellen Sie Kühlwasser her, indem Sie 5 g reines Natron in ca. 10 Litern destilliertem Wasser lösen; geben Sie dann ca. 20 Liter destilliertes Wasser in den Wassertank.

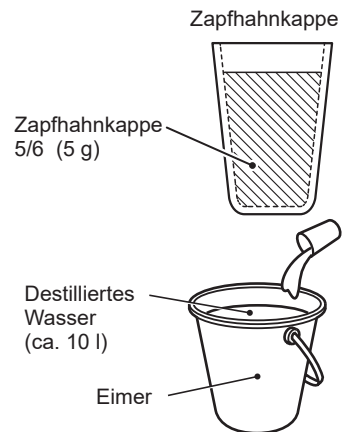
Schritt 1

Messen Sie 5 g reines Natron mit der Zapfhahnkappe (Zubehör) ab.

Schritt 2

Füllen Sie einen Eimer mit ca. 10 Litern destilliertem Wasser, fügen Sie die in Schritt 1 abgemessenen 5 g Natron hinzu und rühren Sie die Lösung gut um.

Spülen Sie die Kappe anschließend aus.



[b] KÜHLWASSERZUFUHR

⚠ WARNUNG

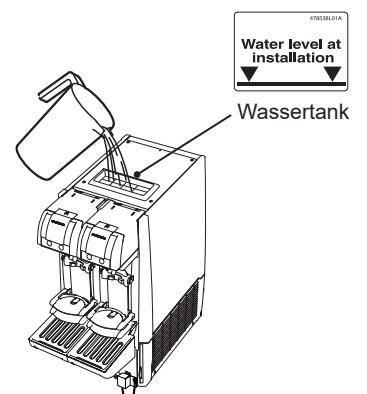
Schalten Sie den Netzschalter des Geräts (Erdschluss-Schutzschalter) vor dem Füllen des Wassertanks aus und trennen Sie den Netzstecker des Geräts.

HINWEIS

Es darf kein Wasser auf die elektrischen Teile spritzen.

Den Wassertank nur bis zur Wasserstandsmarkierung füllen. Anderenfalls läuft die Abtropfschale über und tritt Wasser aus.

- 1) Die obere Abdeckung abnehmen.
- 2) Das vorbereitete Kühlwasser (ca. 10 Liter) aus dem Eimer einfüllen.
- 3) Den Wassertank mit ca. 20 Litern destilliertem Wasser bis zur Wasserstandsmarkierung im Wassertank füllen.
- 4) Die elektrische Leitfähigkeit ggf. mit einem Leitfähigkeitsmessgerät messen.
- 5) Die obere Abdeckung schließen.



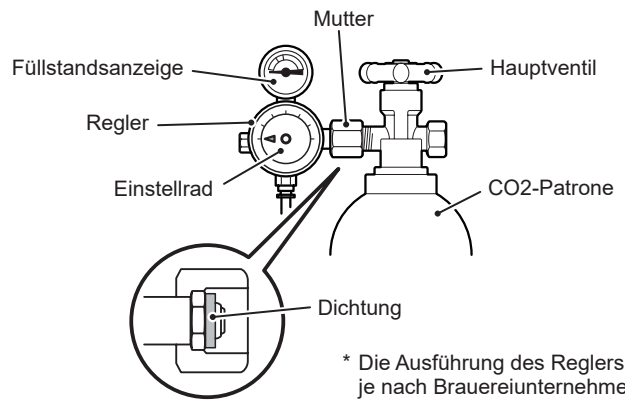
3. KONTROLLE VOR DEM BETRIEB (TÄGLICH)

[a] CO₂-PATRONE PRÜFEN

Öffnen Sie das Hauptventil der CO₂-Patrone und prüfen Sie den Gasdruck mithilfe der Anzeige am Regler:

* Wenn die Anzeige nicht mehr als 3 MPa anzeigt oder in den gelben Bereich gefallen ist, ist nicht mehr viel CO₂-Gas in der Patrone.

* Wenn die Anzeige nicht mehr als 1 MPa anzeigt oder in den roten Bereich gefallen ist, eine neue Patrone einsetzen.



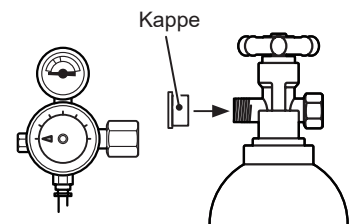
* Die Ausführung des Reglers ist je nach Brauereiunternehmen unterschiedlich.

[b] CO₂-PATRONE AUSTAUSCHEN

- 1) Schließen Sie das Hauptventil der CO₂-Patrone, indem Sie es im Uhrzeigersinn drehen.
- 2) Drehen Sie das Einstellrad des Reglers, um den Druck auf „0“ (MPa) einzustellen.
- 3) Lösen Sie die Mutter mit dem Schraubenschlüssel (Zubehör) und nehmen Sie den Regler von der CO₂-Patrone ab.

Hinweis: Setzen Sie unbedingt einen Deckel auf die CO₂-Patrone.

- 4) Öffnen Sie das Hauptventil der neuen CO₂-Patrone eine Sekunde lang, um Schmutz und Staub vom Verbindungsstück zu blasen (zusammen mit CO₂-Gas).



- 5) Prüfen Sie die Reglerdichtung. Falls sie beschädigt oder nicht vorhanden ist, installieren Sie eine neue Dichtung. (Wenden Sie sich an den Getränkehändler, die Brauerei oder den Vertreiber.)

- 6) Montieren Sie den Regler fest an der CO₂-Patrone.

HINWEIS

Ziehen Sie die Mutter zunächst von Hand und dann mit dem Schlüssel (Zubehör) so an, dass die Füllstandsanzeige aufrecht ist.

- 7) Öffnen Sie das Hauptventil, indem Sie es gegen den Uhrzeigersinn drehen, und prüfen Sie, ob an der Reglermutter Gas austritt (Geräusch). Wenn Gas austritt, ist entweder die Mutter lose oder die Dichtung beschädigt oder gar nicht vorhanden.

Hinweis: Legen Sie zum Prüfen auf Gasaustritt einen in Seifenlösung getränkten Schwamm an die Verbindungsstelle an. Im Falle eines Gasaustritts bilden sich Seifenblasen.

- 8) Drehen Sie das Einstellrad des Reglers, um einen geeigneten Druck wie unten angegeben einzustellen.

⚠ WARNUNG

Der CO₂-Druck am Bierfass darf nicht höher als 0,37 MPa sein. Anderenfalls kann das Bierfass oder der Schlauch explodieren und Verletzungen verursachen.

Der CO₂-Gasdruck am Bierfass verhindert, dass sich das CO₂ und das Bier voneinander trennen. Je höher die Bierfasserperatur ist, desto leichter trennen sich das CO₂ und das Bier voneinander und desto höher muss der Gasdruck sein.

Bierfass-Temperatur	Gasdruck
10 °C	0,20 MPa (Skala 2)
20 °C	0,22 MPa (Skala 2,2)
30 °C	0,32 MPa (Skala 3,2)

Hinweis: Die angegebenen Werte dienen allein der Referenz. Stellen Sie den vom Brauereiunternehmen vorgegebenen Druck ein.

[c] BIERFASS PRÜFEN

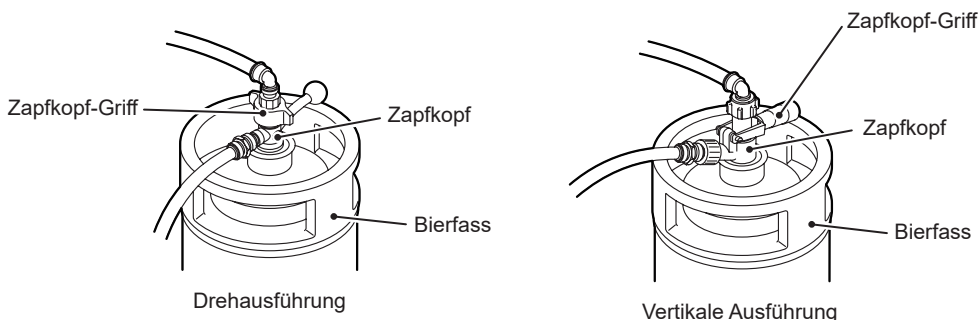
Wenn die Ausverkauft-Leuchte aufleuchtet und kein Bier mehr abgegeben wird, muss das Bierfass ausgetauscht werden. Offene Bierfässer nicht im Kühlschrank lagern. Die Temperatur sollte jedoch unter 30 °C liegen.

[d] BIERFASS WECHSELN

⚠️ WARNUNG

Den Ring am Bierfass nicht lockern, da der Innendruck anderenfalls den Ring absprenge und Verletzungen verursachen kann.

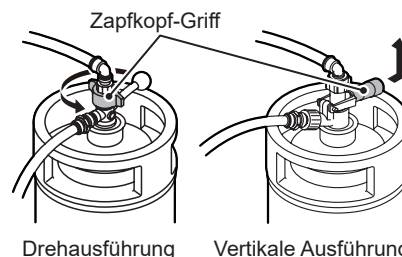
Handhaben Sie das Bierfass mit Vorsicht, um Erschütterungen zu vermeiden. Das Rollen oder Schütteln des Bierfasses kann übermäßige Schaumbildung verursachen.



1) Schließen Sie den Bierkreislauf.

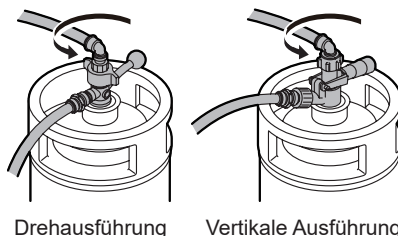
Drehausführung: Drehen Sie den Zapfkopf-Griff bis zum Anschlag entgegen dem Uhrzeigersinn.

Vertikale Ausführung: Entriegeln und heben Sie den Zapfkopf-Griff bis zum Anschlag an.



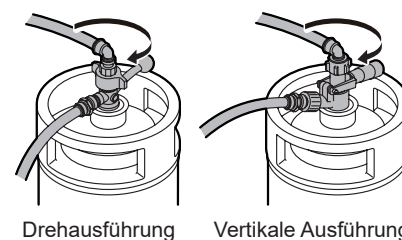
2) Drehen Sie das Einstellrad des Reglers, um den Druck auf „0“ (MPa) einzustellen.

3) Drehen Sie den Zapfkopf entgegen dem Uhrzeigersinn und ziehen Sie ihn vom Bierfass ab.



4) Drehen Sie den Zapfkopf im Uhrzeigersinn, um ihn am neuen Bierfass anzubringen.

Hinweis: Waschen Sie die Verbindung zwischen dem Zapfkopf und dem Bierfass, falls sie verunreinigt ist.

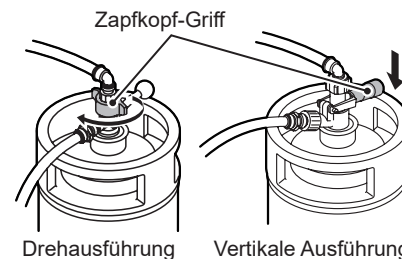


5) Drehen Sie das Einstellrad am Regler, um einen für die Temperatur des Bierfasses geeigneten Druck einzustellen. Siehe „[b] CO2-PATRONE AUSTAUSCHEN“.

6) Öffnen Sie den Bierkreislauf.

Drehausführung: Drehen Sie den Zapfkopf-Griff bis zum Anschlag im Uhrzeigersinn.

Vertikale Ausführung: Drücken Sie den Griff des Zapfkopfs herunter, bis er einrastet.



7) Bevor Sie Bier zapfen, fördern Sie Bier zum Zapfhahn, wie in Abschnitt „4. [b] FÖRDERN VON BIER ZUM ZAPFHAHN“ beschrieben.

4. INBETRIEBNAHME

⚠️ WARNUNG

Schalten Sie im Falle eines Gaslecks die Hauptgasversorgung ab und lüften Sie den Raum. Stecken Sie das Gerät nicht ab, um Funkenbildung und aufgrund dessen Feuer und Explosion zu verhindern.

Verwenden Sie kein entflammendes Spray und platzieren Sie keine flüchtigen und entflammenden Stoffe in die Nähe des Geräts. Sie können sich durch Funkenschlag entzünden.

Wenn die Stromversorgung unterbrochen wird, wenden Sie sich an Ihren Händler/Lieferanten. Zur Verhinderung von elektrischen Schlägen oder Feuer sollte sie nicht wieder eingeschaltet werden.

Stecken Sie das Gerät bei Problemen sofort ab oder unterbrechen Sie die Stromversorgung und wenden Sie sich unverzüglich an Ihren Händler/Lieferanten. Zur Verhinderung von möglichen elektrischen Schlägen oder Feuer darf das Gerät nicht weiter betrieben werden.

1) Schließen Sie den Netzstecker des Geräts an das Netz an.

2) Die Kühleinheit und der Rührmotor starten.

WICHTIG

Ab der Inbetriebnahme dauert es etwa 8 bis 13 Stunden, bis die Eiseinlagerung im Wassertank abgeschlossen ist. Wenn nicht genügend Eis gebildet wurde, kann es sein, dass das gezapfte Bier nicht kalt genug ist.

[a] MODUSUMSCHALTUNG

Jedes Drücken der Spültaste am Bedienfeld schaltet zwischen dem Bereitschaftsmodus und dem Spülmodus um. Im Bereitschaftsmodus leuchtet die Abgabeleuchte. Im Spülmodus leuchtet die Spülleuchte.

[b] FÖRDERN VON BIER ZUM ZAPFHAHN

1) Prüfen Sie, ob das Einstellrad am Regler auf den Druck eingestellt ist, der vom Brauereiunternehmen empfohlen wird.

2) Öffnen Sie den Bierkreislauf.

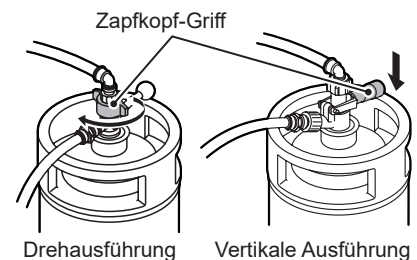
Drehausführung: Drehen Sie den Zapfkopf-Griff bis zum Anschlag im Uhrzeigersinn.

Vertikale Ausführung: Drücken Sie den Griff des Zapfkopfs herunter, bis er einrastet.

3) Stellen Sie ein Glas auf die Plattform.

4) Halten Sie die Schaumtaste gedrückt, um Luft im Bierkreislauf durch den Schaumhahn abzulassen. Lassen Sie die Schaumtaste los, wenn keine Luft mehr austritt und ein gleichmäßiger Schaumfluss erreicht wurde. Wenn das Bier den Ausverkauft-Sensor erreicht, erlischt die Ausverkauft-Leuchte und die Bereitschaftsleuchte schaltet sich ein.

5) Drücken Sie die Flüssigkeitstaste, um zu prüfen, ob klares Bier abgegeben wird. Lassen Sie die Flüssigkeitstaste los, um den Bierfluss anzuhalten.



WICHTIG

Wenn der Flüssigkeitshahn zum Ablassen von Luft aus dem Bierkreislauf verwendet wird, spritzt Flüssigkeit zusammen mit der Luft heraus. Verwenden Sie beim Anschließen oder Wechseln eines Bierfasses stets den Schaumhahn zum Ablassen von Luft.

5. EINSTELLEN DER FLÜSSIGKEITS- UND SCHAUMMENGE

⚠️ VORSICHT

Um das Verletzungsrisiko zu mindern, sollten Sie Ihre Hand nicht hinter die Plattform führen, solange diese sich bewegt.

WICHTIG

Die Flüssigkeits- und Schaummengen werden durch Sichtprüfung des gezapften Biers und Tastenbetätigung angepasst. Die Einstellgrößen hängen vom jeweiligen CO₂-Gasdruck ab. Bei jeder Änderung des CO₂-Gasdrucks ist eine erneute Justierung nötig.

Die Einstellung gilt für jeweils zwei Glasgrößen. Stellen Sie das größere Glas auf die untere Plattform und das kleinere Glas auf die obere Plattform. Das größere Bierglas muss um mindestens 2 cm höher als das kleinere Bierglas sein.

Die automatische Abgabe geht von einem Standardbierglas aus. Zur Vermeidung von übermäßiger Schaumbildung sollte kein Papierbecher oder Keramikbecher verwendet werden.

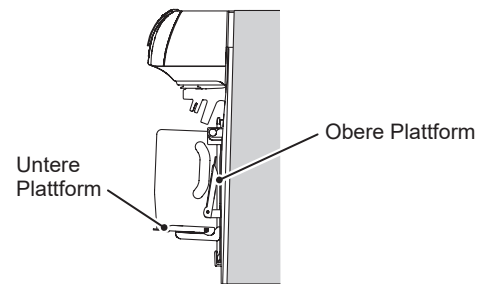
Die Einstellgrößen können je nach Umgebungstemperatur, Bierfass-Temperatur, Einsatzbedingungen und Bierreststand variieren.

Die Toleranz der Einstellgrößen beträgt etwa 30 ml pro 400-ml-Glas. Der CO₂-Gasdruck ist je nach Bierfass-Temperatur einzustellen. Die Einstellgrößen können abhängig von der Leistung des Reglers zum Steuern des CO₂-Gasdrucks variieren. Bei einer zu starken Schwankung der Einstellgrößen muss der Regler ausgetauscht werden.

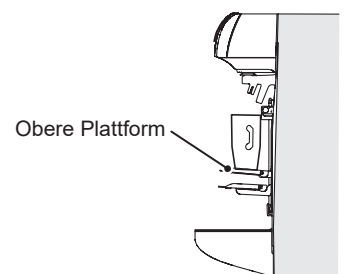
Leeren Sie die Abtropfschale regelmäßig, damit es nicht zu einem Überlaufen kommt. Das Kühlwasser im Wassertank nimmt Luftfeuchtigkeit auf und strömt durch den Überlaufschlauch in die Abtropfschale.

[a] EINSTELLUNG FÜR DAS GRÖßERE GLAS

- 1) Klappen Sie die obere Plattform (Zubehör) hoch. Stellen Sie ein sauberes Glas mit dem Rücken zur Wand auf die untere Plattform (Zubehör).
- 2) Drücken Sie die Einstelltaste. Die Einstellleuchte leuchtet auf und die Abgabeleuchte blinkt.
- 3) Halten Sie die Zapftaste gedrückt, um die Plattform in einen Winkel von etwa 40 Grad anzuheben.
- 4) Halten Sie gleichzeitig die Zapftaste und die Flüssigkeitstaste gedrückt. Lassen Sie dann nur die Flüssigkeitstaste los, sobald die gewünschte Menge an Flüssigkeit abgegeben wurde. Die Plattform bleibt angewinkelt.
- 5) Wählen Sie bei gedrückter Zapftaste, wie sich die Plattform zurück in die Ausgangsposition bewegen soll.
Um die Plattform unter Abgabe von Flüssigkeit zu bewegen, halten Sie die Flüssigkeitstaste für die gewünschte Abgabedauer gedrückt.
Um die Plattform ohne Abgabe von Flüssigkeit zu bewegen, drücken Sie die Stopptaste.
- 6) [Wenn kein Schaum benötigt wird, überspringen Sie Schritt 6) und fahren sofort mit Schritt 7) fort.]
Halten Sie gleichzeitig die Zapftaste und die Schaumtaste gedrückt. Lassen Sie dann nur die Schaumtaste los, sobald die gewünschte Menge an Schaum abgegeben wurde. Drücken Sie die Schaumtaste erneut, um mehr Schaum hinzuzufügen.



- 7) Lassen Sie die Zapftaste los, um die Einstellung für das größere Glas abzuschließen. Die Einstellleuchte erlischt und die Abgabeleuchte hört auf zu blinken und leuchtet kontinuierlich. Wenn die Einstellung nicht abgeschlossen werden kann, kehren Sie zu Schritt 2) zurück.



[b] EINSTELLUNG FÜR DAS KLEINERE GLAS

- 1) Klappen Sie die obere Plattform (Zubehör) herab. Stellen Sie ein sauberes Glas mit dem Rücken zur Wand auf die obere Plattform.
- 2) Siehe Schritte 2) bis 7) unter „[a] EINSTELLUNG FÜR DAS GRÖßERE GLAS“.

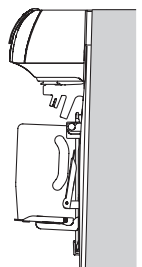
6. ZAPFEN

WICHTIG

Servieren Sie Bier unter Einhaltung der geltenden örtlichen Bestimmungen.

[a] AUTOMATISCHE ABGABE

- 1) Prüfen Sie, dass der Zapfhahn nicht tropft. Stellen Sie ein sauberes Glas auf die Plattform, die zur Einstellung verwendet wurde.



- 2) Drücken Sie die Zapftaste. Das Gerät gibt automatisch die eingestellte Menge an Flüssigkeit und Schaum ab.

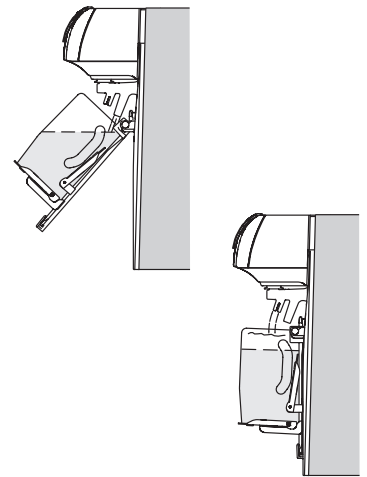
WICHTIG

Das Kippen des Glases ist werkseitig auf 0: „Ja“ (das Glas wird während der Abgabe von Bier geneigt) eingestellt.

- 3) Um mehr Schaum hinzuzufügen, halten Sie die Schaumtaste gedrückt, bis die gewünschte Menge Schaum hinzugegeben wurde.

WICHTIG

Stellen Sie erst dann ein Glas auf die Plattform, wenn kein Restschaum mehr aus dem Zapfhahn tropft.



[b] AUTOMATISCHE ABGABE ANHALTEN

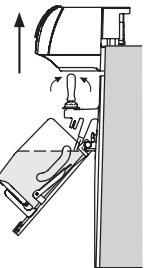
WICHTIG

Wenn während des Zapfvorgangs der Strom ausfällt und die Bedienfелеinheit angehoben wird, ziehen Sie sie nach dem Wiederherstellen der Stromversorgung nicht mit Gewalt herab, sondern wenden Sie sich an Ihren Händler/Lieferanten.

Wenn ein Fehlercode (E_ _) auf dem Display erscheint, schalten Sie die Stromversorgung aus und dann wieder ein. Wenn das Display weiterhin den Fehlercode anzeigt, wenden Sie sich an Ihren Händler/Lieferanten.

So halten Sie die automatische Abgabe in der Mitte an:

- 1) Drücken Sie die Stopptaste. Die Plattform hält in dieser Position an.
Wenn die Stopptaste erneut gedrückt wird, kehrt die Plattform in ihre Ausgangsposition zurück.
- 2) Wenn der Abgabevorgang trotz Drücken der Stopptaste nicht anhält, heben Sie die Bedienfелеinheit an. Der Zapfhahn-Hebel löst sich von der Bedienfелеinheit und kehrt in die geschlossene Position zurück. Wenn Bier weiterhin fließt, bewegen Sie den Hebel hin und her.



⚠ VORSICHT

Stecken Sie zur Vermeidung von Verletzungen nicht Ihre Hand in die untere Öffnung der Bedienfелеinheit, während diese angehoben ist.

- 3) Schließen Sie den am Bierfass angebrachten Zapfkopf. Dies ist unter „II. 3. [d] BIERFASS WECHSELN“ beschrieben.

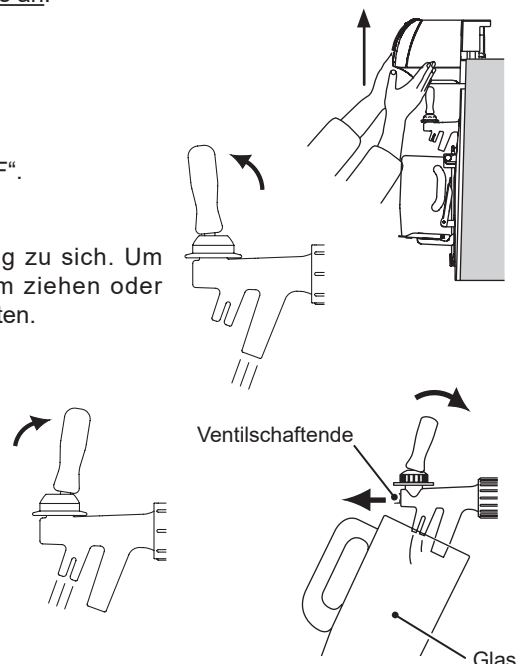
So halten Sie die automatische Abgabe im Falle eines Stromausfalls oder Fehlers an:

Führen Sie die Schritte 2) und 3) oben aus.

[c] MANUELLE ABGABE

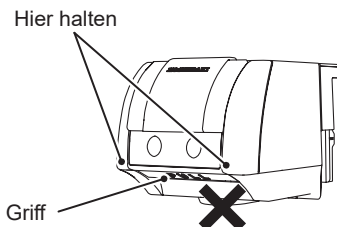
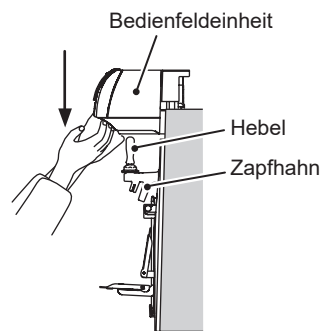
- 1) Heben Sie die Bedienfелеinheit bis zur Arretierung an. Das Display zeigt „OFF“.
- 2) Ziehen Sie zum Bierzapfen den Zapfhahn-Hebel zügig bis zum Anschlag zu sich. Um übermäßige Schaumbildung zu vermeiden, den Hebel nicht zu langsam ziehen oder zwischendurch anhalten. Lassen Sie den Hebel los, um den Bierfluss anzuhalten.
- 3) Drücken Sie zum Zapfen von Schaum den Zapfhahn-Hebel zügig bis zum Anschlag von sich weg. Zum Vermeiden von flüssigem Schaum den Hebel nicht zwischendurch anhalten. Lassen Sie den Hebel los, um den Schaumfluss anzuhalten.

Hinweis: Wenn der Zapfhahn-Hebel während des manuellen Zapfens gedrückt wird, tritt das Ventilschaftende heraus. Achten Sie darauf, nicht mit dem Glas gegen den Schaft zu stoßen.



[d] UMSCHALTEN IN DEN AUTOMATISCHEN ZAPFMODEUS

- 1) Halten Sie die Bedienfeldeinheit an der Unterseite und ziehen Sie den vorderen Griff zum Entriegeln zu sich hin.
- 2) Ziehen Sie die Bedienfeldeinheit bis zum Anschlag herab, bis sie den Zapfhahn-Hebel bedeckt. Die Abgabeleuchte leuchtet auf.



⚠ VORSICHT

Zum Vermeiden von Verletzungen beim Herabziehen nicht den mit Kreuz gekennzeichneten Teil, sondern die gekrümmte Fläche an der Vorderseite der Bedienfeldeinheit halten.

Zum Vermeiden von Schäden nicht die Bedienfeldeinheit mit Gewalt herabziehen, ohne vorher den Griff zu entriegeln.

7. AUSVERKAUFT-SENSOR

Wenn das Bierfass leer ist, erkennt das Gerät dies automatisch und hält den Abgabevorgang an. Die Ausverkauft-Leuchte leuchtet auf und die Zapftaste kann nicht mehr betätigt werden.

WICHTIG

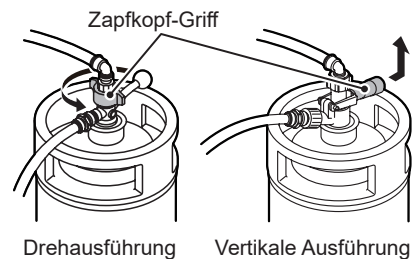
Der Ausverkauft-Sensor ist werkseitig auf „0: Einstellung A (hauptsächlich Bier)“ gesetzt.

Im manuellen Zapfmodus beendet das Gerät die Abgabe auch dann nicht, wenn die Ausverkauft-Leuchte aufleuchtet. Achten Sie beim Zapfen und den Füllstand des Fasses.

Ersetzen Sie das Bierfass, wenn die Ausverkauft-Leuchte aufleuchtet. Dies ist unter „3. [d] BIERFASS WECHSELN“ und „4. [b] FÖRDERN VON BIER ZUM ZAPFHAIHN“ beschrieben.

8. ENDE DES ZAPFBETRIEBS

- 1) Schließen Sie den Bierkreislauf.
Drehausführung: Drehen Sie den Zapfkopf-Griff bis zum Anschlag entgegen dem Uhrzeigersinn.
Vertikale Ausführung: Entriegeln und heben Sie den Zapfkopf-Griff bis zum Anschlag an.



WICHTIG

Wenn der Zapfkopf am Fass geschlossen ist, kann CO₂ im Bierkreislauf zurückbleiben. Um eine übermäßige Schaumbildung oder unerwünschtes Zapfverhalten zu vermeiden, fördern Sie Bier in den Bierkreislauf, bis das Gas aus dem Zapfhahn kommt, bevor Sie am nächsten Tag wieder Bier zapfen. Dies ist unter „4. [b] FÖRDERN VON BIER ZUM ZAPFHAIHN“ beschrieben.

2) Spülen Sie den Bierkreislauf durch, wie in Abschnitt „III. 2. BIERKREISLAUF (TÄGLICH)“ beschrieben.

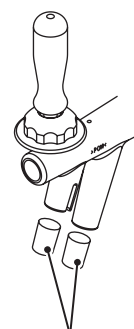
3) Drehen Sie das Einstellrad des Reglers, um den Druck auf „0“ (MPa) einzustellen.

4) Schließen Sie das Hauptventil der CO₂-Patrone, indem Sie es im Uhrzeigersinn drehen.

Hinweis: Stets das Hauptventil der CO₂-Patrone zum Ende des Zapfbetriebs schließen, damit nicht zu viel CO₂-Gas in das Bierfass gelangt.

5) Wischen Sie Feuchtigkeit vom Ende der Bierzapfhähne. Reinigen Sie die Zapfhahnkappen (Zubehör) und bringen Sie sie an.

Hinweis: Die mitgelieferten Zapfhahnkappen stets am Ende des Zapfbetriebs oder während längerer Nichtverwendung aufsetzen, damit keine Insekten oder Verunreinigungen in die Bierzapfhähne eindringen.



Zapfhahnkappe

9. ABSCHALTEN

[a] ABSCHALTEN

1) Prüfen Sie, ob der Zapfkopf geschlossen ist. Dies ist unter „8. ENDE DES ZAPFBETRIEBS“ beschrieben.

Hinweis: Wenn der Zapfkopf offen ist, kann im Falle eines Austretens von Bier der Boden nass sein.

2) Ziehen Sie den Netzstecker des Geräts. Die Kühleinheit und der Rührmotor halten an.

[b] ENTLEREN DES WASSERTANKS

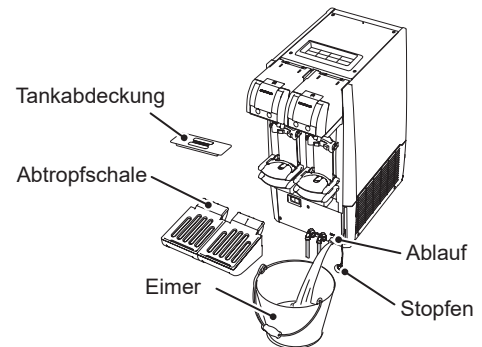
▲HYGIENE

Wenn Sie die Zapfanlage für über eine Woche ausschalten, entleeren Sie den Wassertank, um Verunreinigung zu vermeiden.

Hinweis: Das Abschmelzen des Eises im Wassertank nach dem Abschalten nimmt einige Tage in Anspruch. Das Gerät muss daher vor dem Entleeren des Wassertanks bereits einige Zeit ausgeschaltet gewesen sein; prüfen Sie, ob das Eis im Wassertank geschmolzen ist. Anderenfalls ist keine vollständige Entleerung möglich.

1) Entfernen Sie die Abtropfschale (Zubehör). Siehe „III. 3. ABTROPFSCHALE UND GITTER (TÄGLICH)“ beschrieben.

2) Stellen Sie einen Eimer mit einem Fassungsvermögen von mindestens 35 Litern vor das Gerät. Entfernen Sie den Stopfen des Abflusses, um den Wassertank zu entleeren.



3) Nehmen Sie nach dem Leeren des Wassertanks die obere Abdeckung ab, damit das Innere des Wassertanks trocknen kann.

III. WARTUNG

▲WARNUNG

Trennen Sie die Zapfanlage vom Stromnetz, bevor Sie Reinigungs- oder Wartungsarbeiten durchführen.

Dieses Gerät darf nicht mit einem Wasserstrahler gereinigt werden.

HINWEIS

Zur Vermeidung möglicher Schäden sollten Kunststoffteile nicht mit Wasser von über 40 °C oder in einer Spülmaschine gereinigt werden.

Verwenden Sie ein für den täglichen Gebrauch geeignetes neutrales Reinigungsmittel und antibakterielle Seife (Benzalkoniumchlorid) zur Reinigung.

Um Schäden an lackierten Oberflächen oder Kunststoffoberflächen zu vermeiden, dürfen zur Reinigung kein Verdünnungsmittel, Benzin, Alkohol, Petroleum, Seifenpulver, Polierpulver, alkalisches Reinigungsmittel, Säure, Scheuerbürsten oder spezielle Reinigungsmittel für Lüfter oder Kochgeräte verwendet werden. Um Korrosion zu verhindern, darf keine Chlorbleiche (Natriumhypochlorit) verwendet werden.

Befolgen Sie bei Verwendung von Reinigungstüchern die Anleitung des Herstellers.

Waschen Sie sich die Hände und verwenden Sie ein sauberes Tuch.

In einigen Fällen kann eine häufigere Reinigung nötig sein.

▲HYGIENE

Wenn Sie antibakterielle Seife oder Natriumhypochlorit verwenden, lesen Sie die Gebrauchsanleitung gründlich, um mögliche Gesundheitsschäden zu vermeiden.

Der Bierkreislauf muss täglich zum Ende des Zapfbetriebs gereinigt werden, um Verunreinigungen zu vermeiden.

Waschen Sie sich die Hände, bevor Sie die Teile berühren oder reinigen.

1. GRUNDLEGENDE REINIGUNG

- 1) Waschen Sie sich die Hände.
- 2) Halten Sie saubere Tücher bereit.
- 3) Ziehen Sie den Netzstecker des Geräts.
- 4) Vermischen Sie etwa 10 ml einer Lösung mit 10 % antibakterieller Seife (Benzalkoniumchlorid) mit 1 Liter warmem Wasser (30 bis 40 °C). Befeuchten Sie ein sauberes Tuch, um die Teile abzuwischen.
- 5) Entfernen Sie Seifenreste nach 3 Minuten mit einem Tuch und kaltem oder warmem Wasser. Trocknen Sie dann alles mit einem sauberen Tuch ab.

WICHTIG

Verbliebene Reinigungslösung kann die Metall- und Kunststoffoberflächen beschädigen.

Verwenden Sie zum Entfernen von abgelagertem Schmutz ein neutrales Reinigungsmittel und zum Abspülen Leitungswasser.

2. BIERKREISLAUF (TÄGLICH)

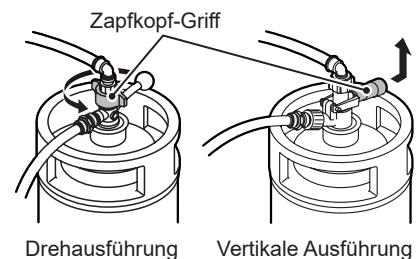
Verwenden Sie zum Spülen des Bierkreislaufs den vom Brauereiunternehmen angegebenen Reinigungstank. Befolgen Sie die mit dem Reinigungstank mitgelieferten Anweisungen.

- 1) Drücken Sie die Spültaste am Bedienfeld. Prüfen Sie, ob die Spülleuchte aufleuchtet.

- 2) Schließen Sie den Bierkreislauf.

Drehausführung: Drehen Sie den Zapfkopf-Griff bis zum Anschlag entgegen dem Uhrzeigersinn.

Vertikale Ausführung: Entriegeln und heben Sie den Zapfkopf-Griff bis zum Anschlag an.



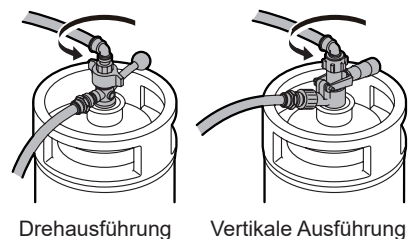
- 3) Drehen Sie das Einstellrad des Reglers, um den Druck auf „0“ (MPa) einzustellen.

- 4) Schließen Sie das Hauptventil der CO2-Patrone, indem Sie es im Uhrzeigersinn drehen.

- 5) Drücken Sie die Flüssigkeitstaste, um im Kreislauf verbliebenes Bier abzugeben.

- 6) Wenn kein Bier mehr austritt, drücken Sie die Stopptaste.

- 7) Drehen Sie den Zapfkopf entgegen dem Uhrzeigersinn und ziehen Sie ihn vom Bierfass ab.

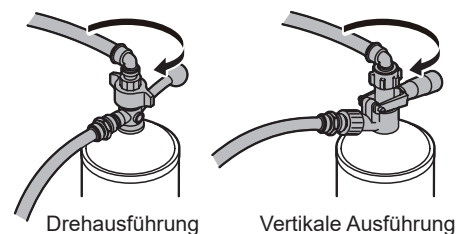


- 8) Spülen Sie den Reinigungstank sorgfältig aus und füllen Sie ihn mit Leitungswasser.

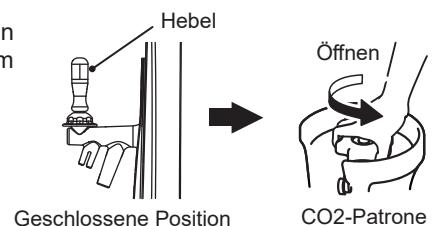
Hinweis: Wenn der Reinigungstank nicht sauber ist, kann dies zu einer Verunreinigung des Bierkreislaufs führen.

- 9) Drehen Sie den Zapfkopf im Uhrzeigersinn, um ihn am Reinigungstank anzubringen.

Hinweis: Waschen Sie die Verbindung zwischen dem Zapfkopf und dem Reinigungstank, falls sie verunreinigt ist.



- 10) Prüfen Sie, ob der Zapfhahn-Hebel geschlossen ist (Normalposition). Öffnen Sie das Hauptventil der CO2-Patrone, indem Sie es einige Male entgegen dem Uhrzeigersinn drehen.



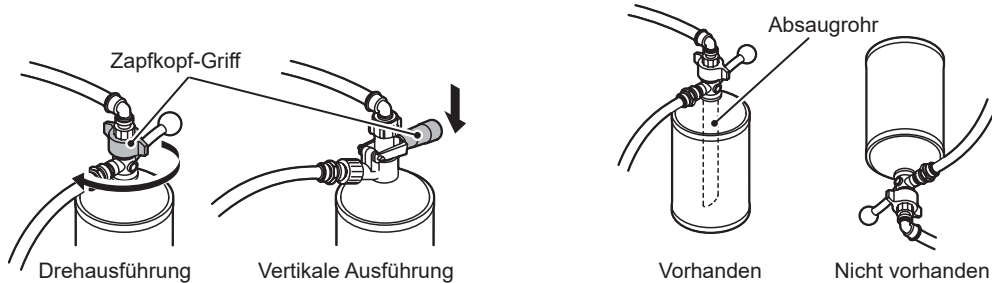
11) Drehen Sie das Einstellrad des Reglers, um den Druck auf „0,15“ (MPa) einzustellen.

12) Öffnen Sie den Bierkreislauf.

Drehausführung: Drehen Sie den Zapfkopf-Griff bis zum Anschlag im Uhrzeigersinn.

Vertikale Ausführung: Drücken Sie den Griff des Zapfkopfs herunter, bis er einrastet.

Hinweis: Wenn der Reinigungstank ein Absaugrohr besitzt, legen Sie den Reinigungstank so hin, dass der Ring nach oben weist. Wenn nicht, legen Sie den Reinigungstank so hin, dass der Ring nach unten weist.



13) Entfernen Sie die Plattformen und die Abtropfschale und stellen Sie einen Eimer unter den Zapfhahn.

14) Drücken Sie die Flüssigkeitstaste, um Wasser aus dem Flüssigkeitshahn abzugeben. Wiederholen Sie dies einige Male, bis kein Wasser mehr austritt.

Drücken Sie dann die Schaumtaste, um Wasser aus dem Schaumhahn abzugeben. Wiederholen Sie dies einige Male, bis kein Wasser mehr austritt.

15) Wenn kein Wasser mehr aus dem Hahn austritt, halten Sie den Zapfhahn-Hebel in der geöffneten Stellung und drehen Sie das Einstellrad des Reglers, um den Druck auf „0“ (MPa) zu setzen.

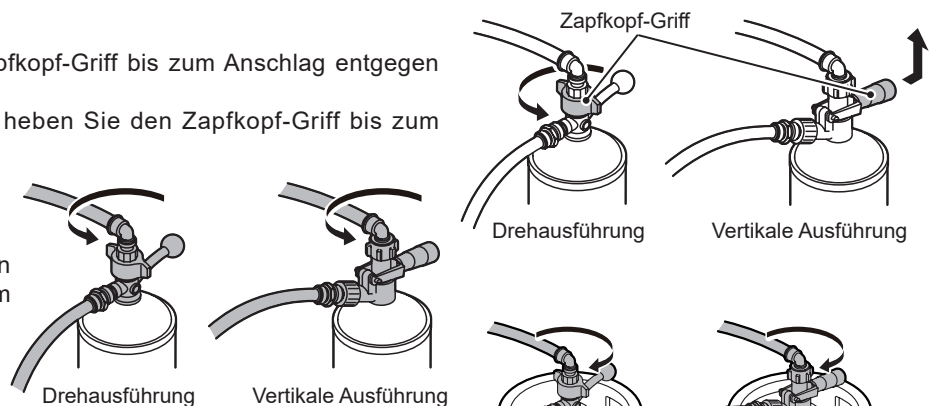
16) Schließen Sie das Hauptventil der CO₂-Patrone, indem Sie es im Uhrzeigersinn drehen.

17) Wenn kein CO₂-Gas mehr aus dem Hahn austritt, drücken Sie die Stoptaste, um den Zapfhahn zu schließen.

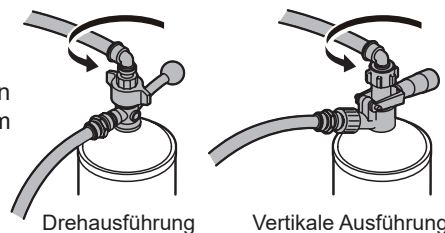
18) Schließen Sie den Bierkreislauf.

Drehausführung: Drehen Sie den Zapfkopf-Griff bis zum Anschlag entgegen dem Uhrzeigersinn.

Vertikale Ausführung: Entriegeln und heben Sie den Zapfkopf-Griff bis zum Anschlag an.

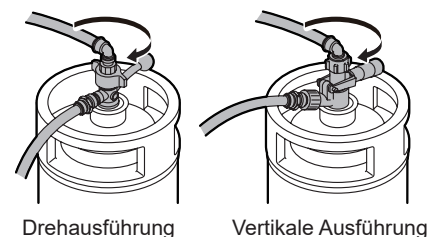


19) Drehen Sie den Zapfkopf gegen den Uhrzeigersinn, um ihn vom Reinigungstank abzuziehen.



20) Drehen Sie den Zapfkopf im Uhrzeigersinn, um ihn am Bierfass anzubringen.

Hinweis: Waschen Sie die Verbindung zwischen dem Zapfkopf und dem Bierfass, falls sie verunreinigt ist.



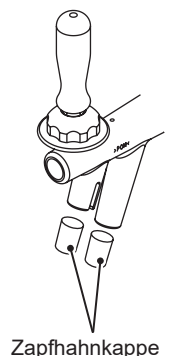
21) Spülen Sie das Innere des Reinigungstanks gründlich aus, drehen Sie ihn zum Trocknen um und setzen Sie anschließend die mitgelieferte Kappe fest auf.

22) Legen Sie die Plattform auf die Arme.

23) Drücken Sie die Spültaste am Bedienfeld. Prüfen Sie, ob die Spülleuchte erlischt und die Ausverkauft-Leuchte aufleuchtet.

24) Wischen Sie Feuchtigkeit vom Ende der Bierzapfhähne. Reinigen Sie die Zapfhahnkappen (Zubehör) und bringen Sie sie an.

Hinweis: Die mitgelieferten Zapfhahnkappen stets am Ende des Zapfbetriebs oder während längerer Nichtverwendung aufsetzen, damit keine Insekten oder Verunreinigungen in die Bierzapfhähne eindringen.



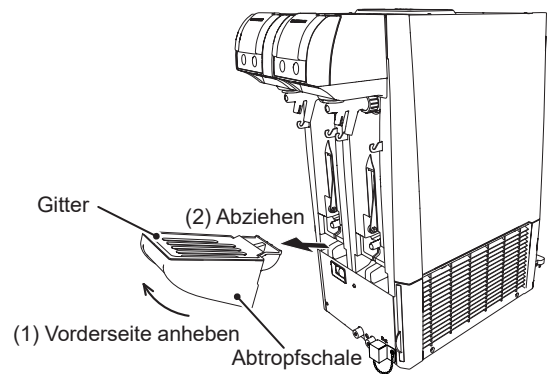
3. ABTROPFSCHALE UND GITTER (TÄGLICH)

1) Heben Sie die Vorderseite der Abtropfschale an und ziehen Sie sie zu sich hin.

Hinweis: Achten Sie darauf, dass kein Wasser in die Abtropfschale spritzt.

2) Spülen Sie das Gitter und die Abtropfschale mit Leitungswasser.

3) Setzen Sie das Gitter auf die Abtropfschale und setzen Sie die Abtropfschale fest in das Abtropfschalenfach ein.



4. PLATTFORM (TÄGLICH)

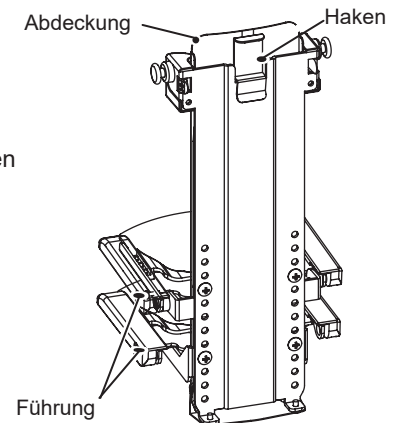
1) Heben Sie die Plattform ein Stück von den Armen an, um sie zu entfernen.

2) Heben Sie die Abdeckung von der Plattform.

3) Spülen Sie die Abdeckung und die Plattform mit Leitungswasser. Entfernen Sie in Ritzen steckenden Schmutz mit warmem Wasser und einem Tuch oder Schwamm.

4) Führen Sie die Abdeckung bis zum Einrasten in die Plattform.

5) Setzen Sie die Plattform wieder auf die Arme.



HINWEIS

Behandeln Sie die Plattform sorgfältig. Wird sie fallengelassen und beschädigt, kann die Glasgröße möglicherweise nicht mehr richtig erkannt werden.

Wenn die Plattform beschädigt ist, wenden Sie sich an Ihren Händler/Lieferanten.

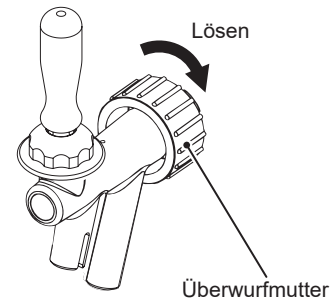
5. REINIGEN DES BIERKREISLAUFS MIT EINEM SCHWAMM (WÖCHENTLICH)

Verwenden Sie zum Spülen des Bierkreislaufs den vom Brauereiunternehmen angegebenen Reinigungstank. Befolgen Sie die mit dem Reinigungstank mitgelieferten Anweisungen.

1) Führen Sie die Schritte unter „2. BIERKREISLAUF (TÄGLICH)“ aus.

2) Heben Sie die Bedienfeldeinheit bis zur Arretierung an.

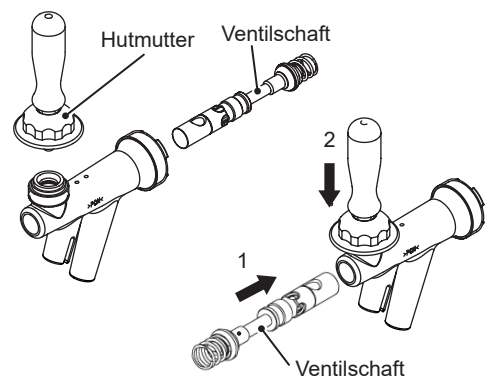
3) Drehen Sie die Überwurfmutter im Uhrzeigersinn, um den Zapfhahn zu entfernen.



HINWEIS

Behandeln Sie den Zapfhahn sorgfältig und lassen Sie ihn nicht fallen.

4) Lösen Sie die Hutmutter, um den Zapfhahn auszubauen. Drehen Sie den Ventilschaft um und ziehen Sie die Hutmutter an.



HINWEIS

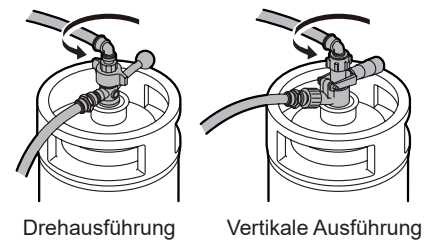
Bringen Sie den Ventilschaft in umgekehrter Richtung an, damit der Reinigungsschwamm den Zapfhahn nicht verstopft.

Behandeln Sie den Ventilschaft sorgfältig. Falls er sich verformt oder beschädigt wird, kann Bier austreten.

Behandeln Sie den Zapfhahn-Hebel sorgfältig und lassen Sie ihn nicht fallen.

5) Bringen Sie den Zapfhahn am Gerät an, indem Sie die Überwurfmutter entgegen dem Uhrzeigersinn drehen.

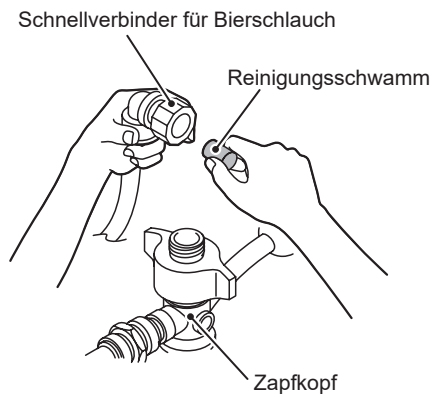
- 6) Entfernen Sie die Abtropfschale (Zubehör) und das Gitter (Zubehör). Siehe „3. ABTROPFSCHALE UND GITTER (TÄGLICH)“.
- 7) Stellen Sie einen Eimer unter den Zapfhahn, um das Reinigungswasser aufzufangen.
- 8) Drehen Sie den Zapfkopf entgegen dem Uhrzeigersinn und ziehen Sie ihn vom Bierfass ab.



- 9) Entfernen Sie den Schnellverbinder für den Bierschlauch vom Zapfkopf und stecken Sie nur einen Reinigungsschwamm (Zubehör) in das Verbindungsstück.

HINWEIS

Die Verwendung von mehr als einem Reinigungsschwamm oder einem Schwamm, der kein Zubehörteil ist, kann zu einem Verstopfen des Bierkreislaufs führen. Wenden Sie sich in diesem Fall an Ihren Händler/Lieferanten.

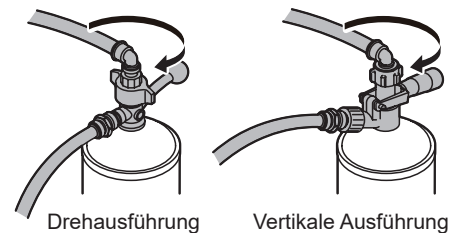


- 10) Bringen Sie den Schnellverbinder für den Bierschlauch am Zapfkopf an.
- 11) Spülen Sie den Reinigungstank sorgfältig aus und füllen Sie ihn mit Leitungswasser.

Hinweis: Wenn der Reinigungstank nicht sauber ist, kann dies zu einer Verunreinigung des Bierkreislaufs führen.

- 12) Drehen Sie den Zapfkopf im Uhrzeigersinn, um ihn am Reinigungstank anzubringen.

Hinweis: Waschen Sie die Verbindung zwischen dem Zapfkopf und dem Reinigungstank, falls sie verunreinigt ist.

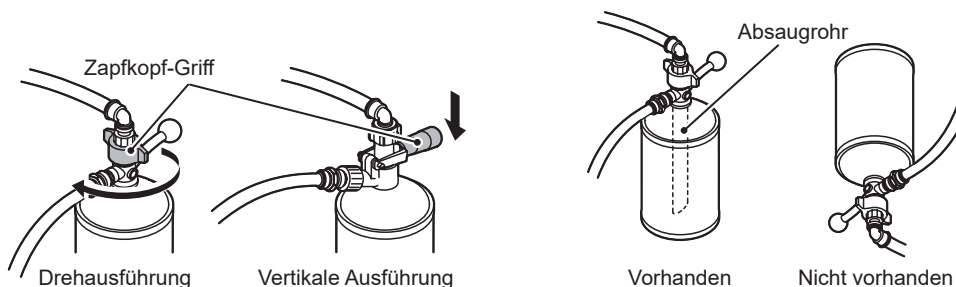


- 13) Öffnen Sie das Hauptventil der CO₂-Patrone, indem Sie es einige Male entgegen dem Uhrzeigersinn drehen.

- 14) Drehen Sie das Einstellrad des Reglers, um den Druck auf „0,15“ (MPa) einzustellen.

- 15) Öffnen Sie den Bierkreislauf.
Drehausführung: Drehen Sie den Zapfkopf-Griff bis zum Anschlag im Uhrzeigersinn.
Vertikale Ausführung: Drücken Sie den Griff des Zapfkopfs herunter, bis er einrastet.

Hinweis: Wenn der Reinigungstank ein Absaugrohr besitzt, legen Sie den Reinigungstank so hin, dass der Ring nach oben weist. Wenn nicht, legen Sie den Reinigungstank so hin, dass der Ring nach unten weist.



- 16) Warten Sie, bis der Reinigungsschwamm und Wasser aus dem Flüssigkeitshahn austreten.
- 17) Drehen Sie das Einstellrad des Reglers, um den Druck auf „0“ (MPa) einzustellen.
- 18) Schließen Sie das Hauptventil der CO₂-Patrone, indem Sie es im Uhrzeigersinn drehen.

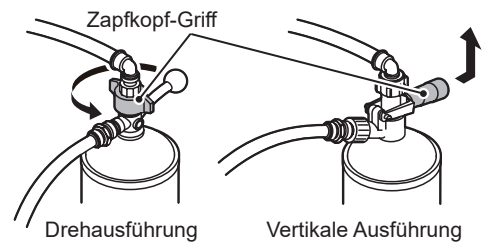
DEUTSCH

19) Prüfen Sie, dass kein CO2 mehr aus dem Hahn austritt.

20) Schließen Sie den Bierkreislauf.

Drehausführung: Drehen Sie den Zapfkopf-Griff bis zum Anschlag entgegen dem Uhrzeigersinn.

Vertikale Ausführung: Entriegeln und heben Sie den Zapfkopf-Griff bis zum Anschlag an.

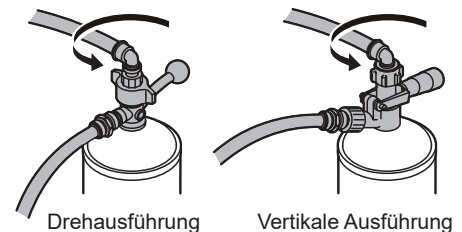


21) Drehen Sie den Zapfkopf gegen den Uhrzeigersinn, um ihn vom Reinigungstank abzuziehen.

22) Waschen und trocknen Sie den Reinigungsschwamm gründlich und lagern Sie ihn für den nächsten Gebrauch ein.

23) Wiederholen Sie die obigen Schritte 9) bis 22), bis klares Wasser aus dem Zapfhahn tritt.

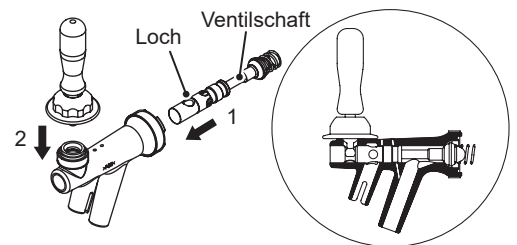
Hinweis: Lassen Sie Wasser in ein Glas laufen, um zu prüfen, ob es klar ist. Wiederholen Sie dies einige Male, bis das Wasser klar ist.



24) Drehen Sie die Überwurfmutter im Uhrzeigersinn, um den Zapfhahn zu entfernen.

25) Lösen Sie die Hutmutter, um den Zapfhahn auszubauen. Setzen Sie den Ventilschaft in der ursprünglichen (normalen) Richtung ein und bringen Sie dabei die Löcher am Zapfhahn und am Ventilschaft (mit dem größeren Loch nach oben) in Übereinstimmung; ziehen Sie dann die Hutmutter fest.

Hinweis: Setzen Sie den Zapfhahn korrekt zusammen. Ansonsten kann das Bier nicht ordnungsgemäß gezapft werden.



26) Bringen Sie den Zapfhahn am Gerät an, indem Sie die Überwurfmutter entgegen dem Uhrzeigersinn drehen.

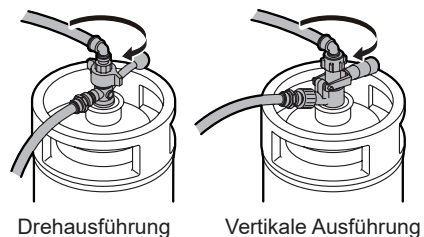
27) Spülen Sie das Innere des Reinigungstanks gründlich aus, drehen Sie ihn zum Trocknen um und setzen Sie anschließend die mitgelieferte Kappe fest auf.

28) Halten Sie die Bedienfeldeinheit an der Unterseite und ziehen Sie den vorderen Griff zum Entriegeln zu sich hin. Ziehen Sie die Bedienfeldeinheit bis zum Anschlag herab, bis sie den Zapfhahn-Hebel bedeckt.

Hinweis: Ziehen Sie zum Vermeiden einer Störung die Bedienfeldeinheit nicht bei ausgebautem Zapfhahn herab.

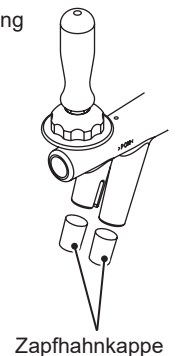
29) Drehen Sie den Zapfkopf im Uhrzeigersinn, um ihn am Bierfass anzubringen.

Hinweis: Waschen Sie die Verbindung zwischen dem Zapfkopf und dem Bierfass, falls sie verunreinigt ist.



30) Wischen Sie Feuchtigkeit vom Ende der Bierzapfhähne. Reinigen Sie die Zapfhahnkappen (Zubehör) und bringen Sie sie an.

Hinweis: Die mitgelieferten Zapfhahnkappen stets am Ende des Zapfbetriebs oder während längerer Nichtverwendung aufsetzen, damit keine Insekten oder Verunreinigungen in die Bierzapfhähne eindringen.



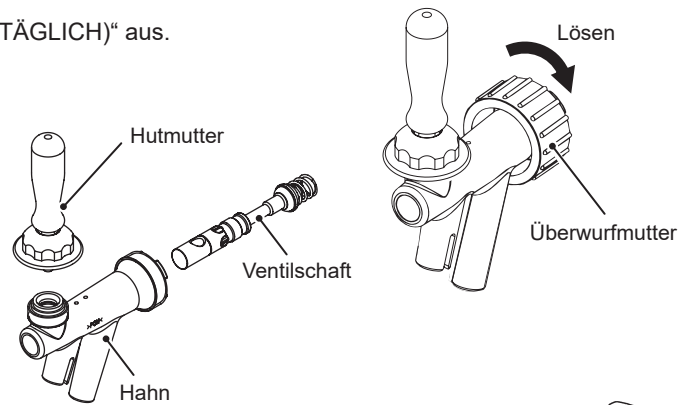
6. AUSBAUEN UND REINIGEN DES ZAPFHAHNS (WÖCHENTLICH)

1) Führen Sie die Schritte 1) bis 7) unter „2. BIERKREISLAUF (TÄGLICH)“ aus.

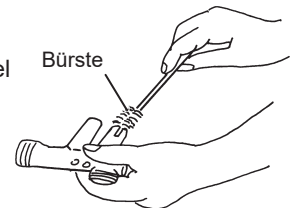
2) Heben Sie die Bedienfeldeinheit bis zum Einrasten an.

3) Drehen Sie die Überwurfmutter im Uhrzeigersinn, um den Zapfhahn zu entfernen.

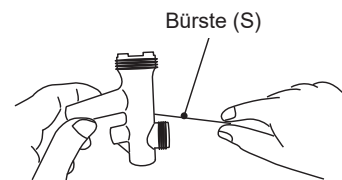
4) Lösen Sie die Hutmutter, um den Zapfhahn auszubauen.



5) Reinigen Sie das Innere des Zapfhahns und den Ventilschacht mit einem neutralen Geschirrspülmittel und der mitgelieferten Bürste.



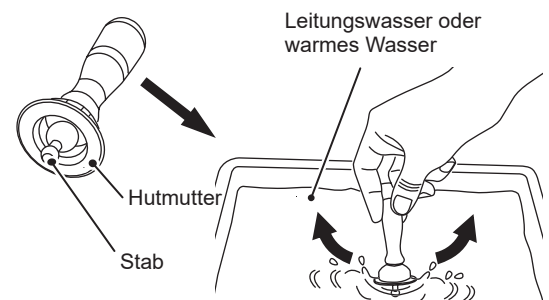
6) Verwenden Sie die mitgelieferte Bürste (S), um die beiden kleinen Öffnungen am Zapfhahn zu reinigen.



7) Weichen Sie den Stab und die Hutmutter in Leitungswasser oder warmem Wasser ein und schütteln Sie sie aus, um Verunreinigungen zu entfernen.

8) Spülen Sie die Teile gründlich mit Leitungswasser aus.

9) Setzen Sie den Ventilschacht in der ursprünglichen (normalen) Richtung ein und bringen Sie dabei die Löcher am Zapfhahn und am Ventilschacht (mit dem größeren Loch nach oben) in Übereinstimmung; ziehen Sie dann die Hutmutter fest.

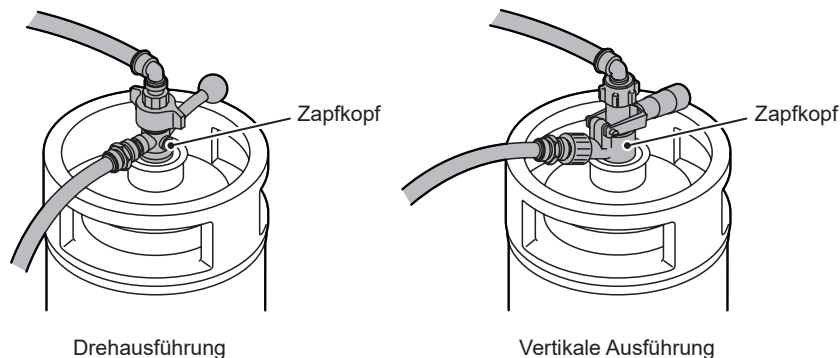


Hinweis: Setzen Sie den Zapfhahn korrekt zusammen. Ansonsten kann das Bier nicht ordnungsgemäß gezapft werden.

10) Halten Sie die Bedienfeldeinheit an der Unterseite und ziehen Sie den vorderen Griff zum Entriegeln zu sich hin. Ziehen Sie die Bedienfeldeinheit bis zum Anschlag herab, bis sie den Zapfhahn-Hebel bedeckt.

7. ZAPFKOPF (WÖCHENTLICH)

Befolgen Sie die Anweisungen des Brauereunternehmens zur Reinigung des Zapfkopfs.



DEUTSCH

8. GEHÄUSE (WÖCHENTLICH)

Das Gehäuse wird leicht verschmutzt. Halten Sie es stets sauber.

HINWEIS

Verwenden Sie zur Vermeidung von Schäden nur ein neutrales Reinigungsmittel am Kunststoffgehäuse.

- 1) Wischen Sie das Gehäuse mit einem Tuch und warmem Wasser und einem neutralen Reinigungsmittel.
- 2) Wischen Sie Reinigungsmittelreste mit einem feuchten Tuch ab.

9. LUFTFILTER (ZWEIWÖCHENTLICH)

HINWEIS

Halten Sie den Luftfilter für einen einwandfreien Betrieb sauber.

Betreiben Sie das Gerät nicht bei abgenommenem Luftfilter. Es kann Staub in das Gerät eindringen und eine Störung verursachen.

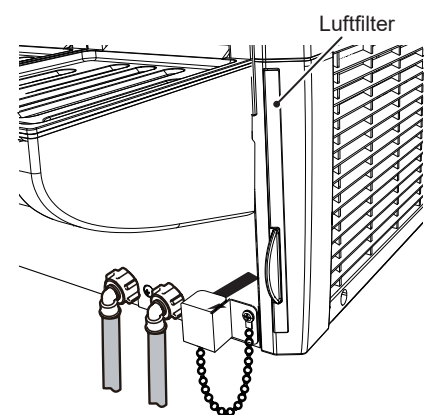
WICHTIG

Die Reinigung des Luftfilters hängt von den Aufstellungsbedingungen ab.

- 1) Ziehen Sie den Luftfilter heraus.
- 2) Waschen Sie den Luftfilter mit kaltem oder warmem Wasser und einem neutralen Reinigungsmittel aus.

Hinweis: Achten Sie darauf, das Sieb nicht zu beschädigen.

- 3) Lassen Sie den Filter an einem schattigen Ort gut trocknen.
- 4) Setzen Sie den Luftfilter wieder ein.



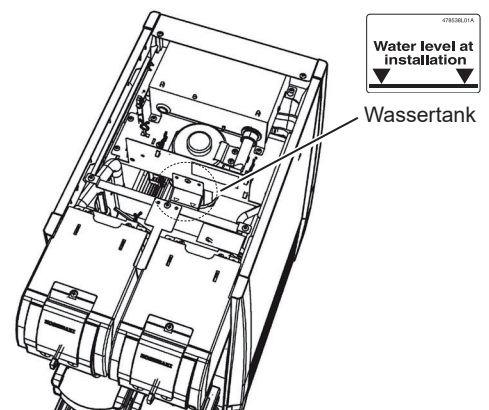
IV. KONTROLLE

1. KÜHLWASSER UND ELEKTRODE (HALBJÄHRLICH)

WICHTIG

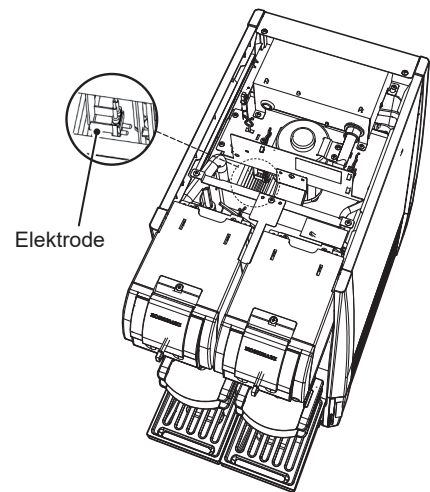
Tauschen Sie zweimal jährlich das Kühlwasser aus und prüfen Sie die Sauberkeit der Elektrode.

- 1) Ziehen Sie den Netzstecker des Geräts. Die Kühleinheit und der Rührmotor halten an.
- 2) Nehmen Sie die obere Abdeckung ab.
- 3) Prüfen Sie, ob der Wasserstand über der Wasserstandsmarkierung im Wassertank liegt.



4) Leeren Sie den Wassertank. Dies ist unter „II. 9. [b] ENTLEREN DES WASSERTANKS“ beschrieben.

5) Prüfen Sie, ob die Elektrode sauber ist.



HINWEIS

Wenn sich die Elektrode braun oder schwarz verfärbt hat oder verunreinigt ist, wenden Sie sich an Ihren Händler/Lieferanten.

6) Füllen Sie den Wassertank. Dies ist unter „II. 2. WASSERTANK FÜLLEN“ beschrieben.

7) Schließen Sie den Netzstecker des Geräts wieder an das Netz an. Die Kühleinheit und der Rührmotor starten.

WICHTIG

Ab der Inbetriebnahme dauert es etwa 8 bis 13 Stunden, bis die Eiseinlagerung im Wassertank abgeschlossen ist. Wenn nicht genügend Eis gebildet wurde, kann es sein, dass das gezapfte Bier nicht kalt genug ist.

2. GASSCHLAUCH UND BIRSCHLAUCH (MONATLICH)

Überprüfen Sie den Gas- und Bierschlauch auf Beschädigungen, Druckstellen und Anzeichen von undichten Stellen (Verfärbungen). Wenn Sie ein Problem feststellen, wenden Sie sich an Ihren Händler/Lieferanten.

3. STECKER UND NETZKABEL (JÄHRLICH/HALBJÄHRLICH)

⚠️ WARNUNG

Überprüfen Sie regelmäßig, ob die Steckerkontakte und die angrenzenden Flächen frei von Staub sind und ob der Stecker fest in der Steckdose sitzt. Staubige Kontakte und lose sitzende Stecker können elektrische Schläge oder Brände verursachen.

Beschädigen Sie das Netzkabel nicht. Das Kabel darf nicht modifiziert, gezogen, zusammengebunden, zusammengedrückt oder eingeklemmt werden. Dies kann elektrische Schläge oder Brand verursachen.

Das Gerät muss eine separate Stromversorgung haben. Das Netzkabel darf nicht abgezweigt, mit einem Verlängerungskabel verbunden oder mit anderen Geräten an eine gemeinsame Steckdose angeschlossen werden. Dies kann elektrische Schläge oder Brand verursachen.

Kontrollieren Sie Folgendes:

- * Die Steckerkontakte und die angrenzenden Flächen sowie die Steckdose sind frei von Staub. Diese sind ggf. zu säubern.
- * Stecker und Netzkabel sind nicht beschädigt, zusammengedrückt oder eingeklemmt.
- * Der Stecker ist in eine separate Steckdose eingesteckt.

V. WEITERE INFORMATIONEN

1. VORBEREITEN DER ZAPFANLAGE FÜR EINE LÄNGERE LAGERUNG

⚠️ WARNUNG

Wenn Sie die Zapfanlage für mehr als eine Woche nicht nutzen, ziehen Sie den Netzstecker des Geräts.

1) Entleeren Sie den Wassertank wie in Abschnitt „II. 9. [b] ENTLEREN DES WASSERTANKS“ beschrieben.

2) Führen Sie die folgenden Wartungsvorgänge durch, um den Bierkreislauf zu reinigen und zu leeren und das Gerät sauber zu halten:

- III. 5. REINIGEN DES BIERKREISLAUFS MIT EINEM SCHWAMM (WÖCHENTLICH)
- 6. AUSBAUEN UND REINIGEN DES ZAPFHAHNS (WÖCHENTLICH)
- 7. ZAPFKOPF (WÖCHENTLICH)
- 8. GEHÄUSE (WÖCHENTLICH)
- 9. LUFTFILTER (ZWEIWÖCHENTLICH)

3) Führen Sie zur erneuten Inbetriebnahme des Geräts folgende Schritte aus:

- II. 1. REINIGUNG DES BIERKREISLAUFS
2. WASSERTANK FÜLLEN
3. KONTROLLE VOR DEM BETRIEB (TÄGLICH)
4. INBETRIEBNAHME
5. EINSTELLEN DER FLÜSSIGKEITS- UND SCHAUMMENGE
6. ZAPFEN
7. AUSVERKAUFT-SENSOR
8. ENDE DES ZAPFBETRIEBS

2. BEVOR SIE SICH AN DEN KUNDENDIENST WENDEN

Wenn die Zapfanlage nicht richtig funktioniert, prüfen Sie die folgende Tabelle, bevor Sie sich an den Kundendienst wenden. Wenn sich das Problem nicht beheben lässt, schalten Sie den Netzschalter (Erdschluss-Schutzschalter) aus und wenden Sie sich an Ihren Händler/Lieferanten.

Versuchen Sie nicht, das Gerät selbst zu reparieren. Das Gerät darf nur von qualifiziertem Personal repariert werden.

Problem	Mögliche Ursache	Maßnahme
Das Gerät startet nicht.	Das Gerät ist nicht an das Stromnetz angeschlossen.	Stecken Sie den Netzstecker in eine Steckdose.
	Die Sicherung ist durchgebrannt.	Wenden Sie sich an Ihren Händler/Lieferanten.
	Stromausfall.	Warten Sie, bis die Stromversorgung wiederhergestellt wird.
Das Bier ist nicht kalt.	Kein Eis im Wassertank.	Warten Sie, bis genügend Eis erzeugt wurde.
	Es sind weniger als 8 bis 13 seit dem Einschalten des Netzschalters (Erdschluss-Schutzschalters) vergangen.	Je nach Umgebungs- und Wassertemperatur dauert die Eisproduktion 8 bis 13 Stunden. Warten Sie bis zum Zapfen von Bier 8 bis 13 Stunden.
	Umgebungstemperatur über 30 °C.	Mit einem Ventilator belüften, um die Umgebungstemperatur zu senken.
	Kein Kühlwasser im Wassertank.	Füllen Sie den Wassertank. Siehe „II. 2. WASSERTANK FÜLLEN“.
	Luftein- oder -auslass blockiert oder verunreinigt.	Reinigen oder Blockierung aufheben. Siehe „III. 9. LUFTFILTER (ZWEIWÖCHENTLICH)“.
Es wird kein Bier abgegeben.	Das Bierfass ist leer.	Durch ein neues Fass ersetzen. Siehe „II. 3. [d] BIERFASS WECHSELN“.
	Die CO2-Patrone ist leer.	Durch eine neue Patrone ersetzen. Siehe „II. 3. [b] CO2-PATRONE AUSTAUSCHEN“.
	Das Hauptventil der CO2-Patrone ist geschlossen.	Öffnen.
	Der Regler ist auf „0“ gesetzt.	Den Regler auf einen geeigneten Druck regeln. Siehe „II. 3. [b] CO2-PATRONE AUSTAUSCHEN“.
	Der Zapfkopf ist nicht richtig am Bierfass angebracht.	Prüfen und korrigieren. Siehe „II. 3. [d] BIERFASS WECHSELN“.
	Der Zapfkopf-Griff ist geschlossen.	Den Bierkreislauf öffnen. Siehe „II. 3. [d] BIERFASS WECHSELN“.
	Der Zapfhahn ist mit Bier verstopft und der Hebel lässt sich nicht leicht bewegen.	Den Zapfhahn ausbauen und reinigen. Siehe „III. 6. AUSBAUEN UND REINIGEN DES ZAPFHAHNS (WÖCHENTLICH)“.
Ungewöhnliches Geräusch.	Betriebsgeräusch der Kälteeinheit oder des Kondensatorgebläsemotors.	Kein Problem.
	Das Gerät steht nicht sicher.	Wenden Sie sich an Ihren Händler/Lieferanten.
	Das Gerät ist nicht nivelliert.	Wenden Sie sich an Ihren Händler/Lieferanten.
	Ein Objekt steht mit dem Gerät in Kontakt.	Objekt vom Gerät entfernen.

Zu viel Schaum.	Das Bierfass wurde vor kurzem geschüttelt oder bewegt.	Warten, bis sich das Bier im Bierfass gesetzt hat.
	Das Bierfass ist fast leer.	Durch ein neues Fass ersetzen. Siehe „II. 3. [d] BIERFASS WECHSELN“.
	Die CO2-Patrone wurde zum Ende des Zapfbetriebs offen gelassen.	Die Patrone jeden Tag zum Ende des Zapfbetriebs schließen. Siehe „II. 8. ENDE DES ZAPFBETRIEBS“.
	Der Regler ist nicht auf den richtigen Druck eingestellt.	Den Regler auf einen geeigneten Druck regeln. Siehe „II. 3. [b] CO2-PATRONE AUSTAUSCHEN“.
	Das Glas ist nicht sauber.	Reinigen.
	Die Temperatur des Glases ist zu hoch.	Die Anweisungen des Brauereiuunternehmens befolgen.
	Zapfhahn oder Bierkreislauf verunreinigt.	Reinigen. Siehe „III. 2. BIERKREISLAUF (TÄGLICH)“.
	Kein Eis im Wassertank.	Warten Sie, bis genügend Eis erzeugt wurde.
	Der Gasschlauch ist verkehrt herum angeschlossen.	Anschlussrichtung ändern.
Es tritt zu viel Schaum aus.	Die verwendete Glasgröße oder Plattform ist nicht dieselbe wie zum Zeitpunkt der Einstellung.	Ein Glas derselben Größe auf dieselbe Plattform stellen, die zum Zeitpunkt der Einstellung verwendet wurde.
Zu wenig oder zu viel Flüssigkeit oder Schaum.	Das Einstellrad des Reglers wurde nach dem Einstellen der Flüssigkeitsmenge bewegt.	Den CO2-Gasdruck und die Flüssigkeits- und Schaummenge nachjustieren.
Die Ausverkauft-Leuchte leuchtet auf, obwohl das Bierfass nicht leer ist.	Der CO2-Gasdruck ist nicht richtig eingestellt.	Den CO2-Gasdruck und die Flüssigkeits- und Schaummenge nachjustieren.
	Schaum im Schlauch.	Siehe „Zu viel Schaum“ oben.

3. ENTSORGUNG

Bei der Entsorgung dieses Geräts und des zugehörigen Kältemittelgases sind die lokalen Entsorgungsbestimmungen zu beachten.

Richtige Entsorgung dieses Produkts:

Dieses Zeichen bedeutet, dass das vorliegende Produkt innerhalb der EU nicht zusammen mit dem Hausmüll entsorgt werden darf. Um schädliche Auswirkungen auf Umwelt und Gesundheit durch unsachgemäße Entsorgung zu verhindern, recyceln Sie es verantwortungsbewusst, um die nachhaltige Wiederverwendung von Rohstoffen zu fördern. Verwenden Sie zur Rückgabe Ihres gebrauchten Geräts bitte die entsprechenden Rückgabe- und Sammelsysteme oder wenden Sie sich an den Händler, bei dem das Produkt gekauft wurde. Er kann dieses Produkt annehmen und einer umweltfreundlichen Wiederverwertung zuführen.



4. GARANTIE

Hoshizaki garantiert dem ursprünglichen Besitzer/Nutzer, dass alle Produkte der Marke Hoshizaki für die „Dauer der Gewährleistungsfrist“ frei von Material- und/oder Fertigungsfehlern sind. Die Gewährleistungsfrist beträgt ein Jahr ab dem Datum der Installation. Die Haftung von Hoshizaki im Rahmen dieser Garantie ist beschränkt und beinhaltet keine routinemäßige Wartung, Reinigung, grundlegende Instandhaltungs- und/oder Reparaturarbeiten, die durch die missbräuchliche Verwendung oder Installationen verursacht werden, die den Richtlinien von Hoshizaki nicht entsprechen.

Alle Reparaturen im Rahmen der Garantie müssen von einem von Hoshizaki genehmigten Händler oder Servicebetrieb unter Verwendung von Originalteilen von Hoshizaki durchgeführt werden.

DEUTSCH

Ausführliche Einzelheiten zur Garantie und zu genehmigten Servicebetrieben erhalten Sie von Ihrem Händler/Lieferanten oder einer Hoshizaki-Servicestelle in Ihrer Nähe:

Hoshizaki UK - Vereinigtes Königreich, Irland
TEL.: +44 845 456 0585
FAX: +44 132 283 8331
uksales@hoshizaki.uk

Hoshizaki Middle East - Naher Osten
TEL.: +971 48 876 612
FAX: +971 48 876 613
sales@hoshizaki.ae

Hoshizaki Deutschland - Deutschland, Schweiz, Österreich,
Polen, Tschechien, Slowakei
TEL: +49 5121 697370
FAX: +49 5121 6973719
vertrieb@hoshizaki.de

Hoshizaki Benelux - Niederlande, Belgien, Luxemburg
TEL.: +31 85 018 83 70
info@hoshizaki.nl

Hoshizaki France - Frankreich
TEL.: +33 1 48 63 93 80
FAX: +33 1 48 63 93 88
info@hoshizaki.fr

Hoshizaki Italia - Italien
TEL.: +39 344 0616467
TEL.: +39 348 3022156
info@hoshizaki.it

Hoshizaki Iberia - Spanien, Portugal
TEL.: +34 93 478 09 52
FAX: +34 93 478 08 00
info@hoshizaki.es

Hoshizaki Europe B.V. - alle übrigen Länder in Europa und
Afrika
TEL.: +31 20 6918499
FAX: +31 20 6918768
sales@hoshizaki.nl

TECHNISCHE DATEN

Modell	DBF-AS65WE-EU-HC
Stromversorgung	Einphasig, 220 - 240 V, 50Hz
Zapfkapazität	65 l (30 °C bis 8 °C / 4 Stunden)
Eisbereitungszeit	11 Stunden (Anfangstemperatur des Kühlwassers 25 °C)
Eislagerungskapazität	12 l
Abmessungen	367 mm (B) x 674 mm (T) x 764 mm (H)
Kältemittel	R600a, 80 g
Treibmittel Schaumisolierung	HFO-1233zd(E)
Gewicht	Netto: 50 kg (brutto: 77 kg)
Umgebungstemperatur	5 - 32 °C

BELANGRIJKE VEILIGHEIDSINFORMATIE

In deze handleiding worden meldingen gebruikt om uw aandacht te vestigen op situaties die kunnen leiden tot de dood, ernstig letsel of schade aan het apparaat.

▲WAARSCHUWING	Geeft een gevaarlijke situatie aan die kan leiden tot de dood of ernstig letsel.
▲VOORZICHTIG	Geeft een gevaarlijke situatie aan die kan leiden tot licht of matig letsel.
LET OP	Geeft een gevaarlijke situatie aan die kan leiden tot schade aan het apparaat.
▲HYGIËNE	Geeft belangrijke voorzorgsmaatregelen aan voor hygiëne en voedselveiligheid.
BELANGRIJK	Geeft belangrijke informatie aan over het gebruik en onderhoud van het apparaat.

Deze automatische biertapinstallatie is uitgerust met HFK-vrij koelmiddel (isobutaan) en HFK-vrije schuimisolatie die niet schadelijk zijn voor de ozonlaag en zijn vervaardigd van duurzame materialen die vrijwel niet bijdragen aan de opwarming van de aarde.

▲WAARSCHUWING
De koeleenheid van deze automatische biertapinstallatie bevat brandbaar koelmiddel; derhalve mag installatie, verplaatsing, bediening, onderhoud en afvoering van het apparaat alleen door erkende technici worden uitgevoerd.
Het koelmiddel in de automatische biertapinstallatie is brandbaar en verzegeld in het koelsysteem. Bij normaal gebruik kan het koelmiddel niet ontsnappen. Behandel deze automatische biertapinstallatie met zorg om schade aan het koelsysteem te voorkomen.
Mocht er door onopzettelijke schade aan het koelsysteem toch koelmiddel ontsnappen, doe dan het volgende: <ul style="list-style-type: none"> * Creëer geen ontstekingsbron in de ruimte. * Bedien geen elektrische schakelaars of stekkers in de ruimte. * Gebruik geen open vuur. * Ventileer onmiddellijk de ruimte door deuren en/of ramen open te zetten. * Bel een servicemonteur.

BELANGRIJK
Dit boekje vormt een integraal en essentieel onderdeel van het product en moet worden bewaard door de gebruiker.
Lees zorgvuldig de richtlijnen en waarschuwingen in dit document, aangezien deze de installateur/gebruiker essentiële informatie verschaffen voor de juiste installatie en veilig gebruik en onderhoud van het product.
Bewaar dit boekje, zodat u het indien nodig kunt raadplegen.

▲ WAARSCHUWING

Dit is een commerciële automatische biertapinstallatie die alleen gebruikt mag worden voor het doel waarvoor deze is ontworpen.

Elk ander gebruik wordt als ongepast en gevaarlijk beschouwd. De fabrikant kan niet verantwoordelijk worden gesteld voor schade ontstaan door ongepast, onjuist en onredelijk gebruik.

De installatie en eventuele verplaatsing van het apparaat moeten worden uitgevoerd door gekwalificeerd personeel, in overeenstemming met geldende voorschriften en volgens de instructies van de fabrikant.

Houd ventilatieopeningen in de behuizing van het apparaat of de interne structuur altijd vrij.

Beschadig het koelcircuit niet.

De onderhoudsverrichtingen moeten door een opgeleid persoon worden uitgevoerd. Toegang tot het onderhoudsgebied is alleen toegestaan voor personen met kennis over en praktische ervaring met het apparaat, in het bijzonder met betrekking tot veiligheid en hygiëne.

Voor het gebruik van elektrische apparaten gelden enkele fundamentele regels. In het bijzonder:

- * Hoge luchtvochtigheid en vocht verhogen het risico op elektrische kortsluiting en mogelijke elektrische schokken. Koppel bij twijfel de tap los.
- * Zorg dat u het elektriciteits snoer niet beschadigt en trek er niet aan om de tap los te koppelen van het elektriciteitsnet.
- * Het netsnoer en/of de stekker mag alleen worden vervangen door een gekwalificeerde servicemonteur.
- * Raak de elektrische onderdelen niet aan en bedien de schakelaars niet met vochtige handen.
- * Dit apparaat mag niet worden gebruikt door personen (met inbegrip van kinderen) met beperkte fysieke, zintuiglijke of mentale mogelijkheden, of door personen met gebrek aan ervaring en kennis. Het apparaat mag echter wel worden gebruikt door kinderen vanaf 8 jaar en personen met beperkte fysieke, zintuiglijke of mentale mogelijkheden, of door personen met gebrek aan ervaring en kennis, mits ze onder toezicht staan of instructies betreffende het gebruik van het apparaat hebben gekregen van een persoon die verantwoordelijk is voor hun veiligheid.
- * Laat kinderen niet met het apparaat spelen.
- * Kinderen mogen het apparaat niet zonder toezicht schoonmaken of onderhoud plegen.
- * Breng geen aanpassingen aan de tap aan. Alleen gekwalificeerd personeel mag het apparaat demonteren of repareren.

Zorg ervoor dat bij het plaatsen van het apparaat de voedingskabel niet geblokkeerd of beschadigd is.

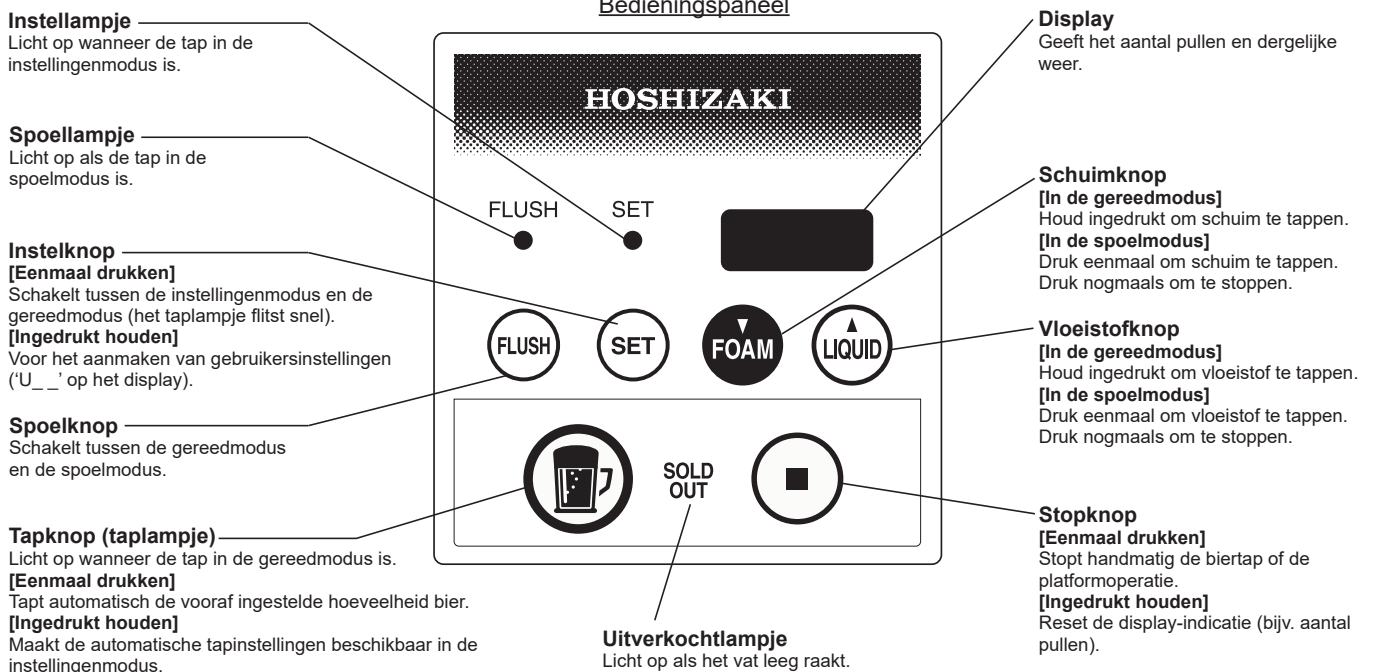
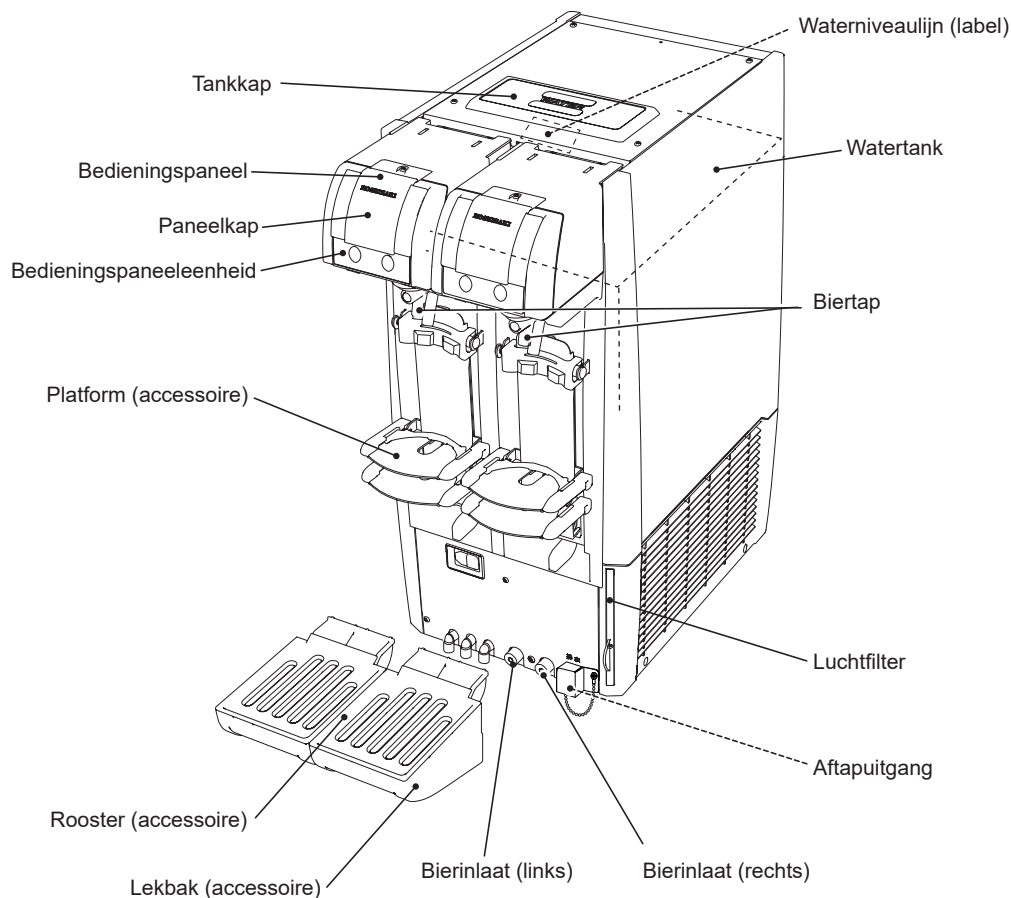
Plaats niet meerdere draagbare stekkerdozen of draagbare stroomvoorzieningen achter het apparaat.



De betekenis van dit ISO 7010 W021-symbool is:
Waarschuwing: brandgevaar

I. INSTALLATIE-INSTRUCTIES

1. CONSTRUCTIE



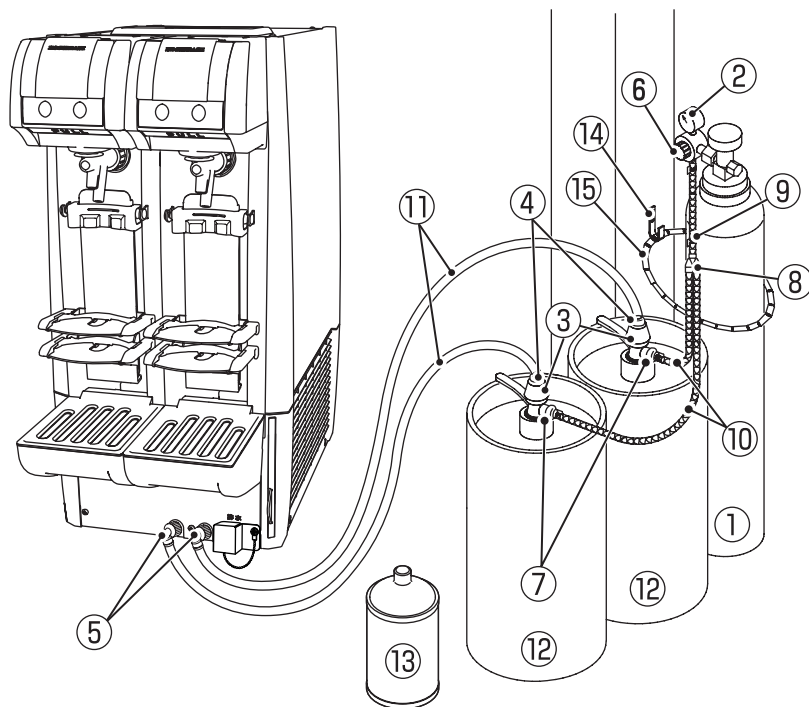
LET OP

Open de paneelkap om toegang te krijgen tot de andere knoppen en lampjes dan de dispense-knop (dispense-lampje), het uitverkochtlampje en de stopknop.

Forceer de paneelkap niet bij het openen, om schade te voorkomen.

NEDERLANDS

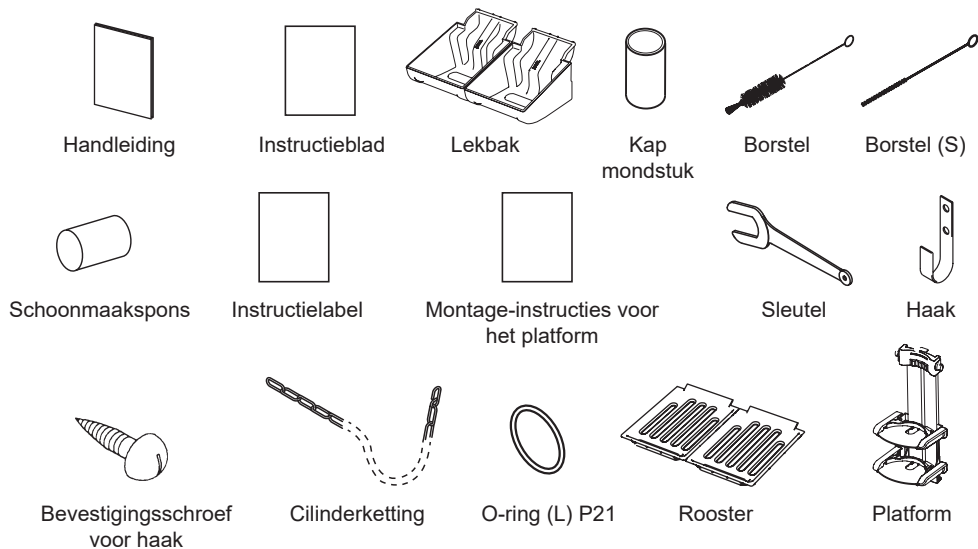
Verzamel en installeer de volgende artikelen. Raadpleeg de slijterij, het bierbedrijf of de distributeur voor het voorbereiden van de regelaar, de tapkop en de CO2-gascilinder die zijn ontworpen voor het tappen van het bier.



- [1] CO2-gascilinder
- [2] Regelaar
- [3] Tapkop
- [4] Snelkoppeling van bierslang (tapkopzijde)
- [5] Snelkoppeling van bierslang (tapzijde)
- [6] Snelkoppeling van gas slang (regelaarzijde)
- [7] Snelkoppeling van gas slang (tapkopzijde)
- [8] Y-stuk
- [9] Gas slang (kort)
- [10] Gas slang (lang)
- [11] Bierslang
- [12] Biervat
- [13] Reinigingstank
- [14] Haak (accessoire)
- [15] Cilinderketting (accessoire)

2. ACCESSOIRES

Handleiding	1
Instructieblad	1
Lekbak	2
Kap mondstuk	8
Borstel	1
Borstel (S)	1
Schoonmaakspons	6
Instructielabel	1
Montage-instructies voor het platform	1
Sleutel	1
Haak	1
Bevestigingsschroef voor haak	2
Cilinderketting	1
O-ring (L) P21	1
Rooster	2
Platform	2



3. UITPAKKEN

⚠ WAARSCHUWING

Houd kinderen uit de buurt van het verpakkingsmateriaal (plastic zakken en polystyrenschuim), aangezien dit een bron van gevaar kan zijn.

⚠ VOORZICHTIG

Gebruik de omsnoeringsbanden niet om de doos op te tillen of te verplaatsen.

Houd bij het verplaatsen het apparaat vast aan de onderkant.

Pak niet de biertap vast om het apparaat op te tillen. De biertap kan beschadigd raken of het apparaat kan vallen en letsel veroorzaken.

Draag altijd beschermende handschoenen als u het apparaat draagt.

Werk bij het verplaatsen van de doos of het uitgepakte apparaat met twee personen om letsel te voorkomen.

LET OP

Verwijder de verzenddoos, tape en ander verpakkingsmateriaal. Als er verpakkingsmateriaal in de tap achterblijft, werkt deze niet goed.

Kantel de tap niet meer dan 45° om schade te voorkomen.

- 1) Controleer na het verwijderen van de verpakking of de tap in goede staat is. Bij twijfel moet u de tap niet gebruiken maar professioneel, gekwalificeerd personeel raadplegen.
- 2) Verwijder de plastic beschermfolie van de buitenkant. Als de tap aan zon of hitte is blootgesteld, laat u de tap eerst afkoelen voordat u de folie verwijdert.
- 3) Verwijder het pakket met accessoires. Controleer de inhoud volgens "2. ACCESSOIRES".

4. LOCATIE

⚠ WAARSCHUWING

Deze tap is niet bedoeld voor buitengebruik.

Plaats de tap niet naast een oven, grill of andere warmteproducerende apparatuur.

Dit apparaat is niet geschikt voor installatie in een ruimte waar een waterstraal wordt gebruikt.

⚠ VOORZICHTIG

Zorg dat de tap op een stevige en vlakke ondergrond wordt geplaatst.

LET OP

Plaats geen voorwerpen op het ventilatierooster.

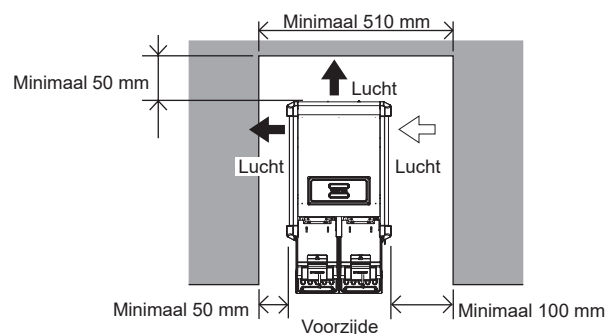
BELANGRIJK

De omgevingstemperatuur voor normaal gebruik moet tussen 5 en 32 °C zijn, de temperatuur van het koelwater niet hoger dan 25 °C en de temperatuur van het biervat tussen 10 en 30 °C. Wanneer de tap gedurende langere tijd buiten deze temperatuurbereiken wordt gebruikt, kan de productiecapaciteit worden aangetast.

Laat op de plek van installatie 10 mm extra ruimte over voor andere installatievereisten (extra ruimte is ook nodig voor een correcte luchtstroom en pijpverbindingen).

Plaats de tap niet in direct zonlicht.

Zorg voor voldoende vrije ruimte zoals hieronder aangegeven met het oog op een goede luchtcirculatie en gemakkelijke toegang voor onderhoud en/of service.



In sommige omgevingen met een hoge vochtigheid kan zich condensatie in de machine vormen en op de vloer druppelen. Installeer niet op een ondergrond die gevoelig is voor water.

Voorkom dat het apparaat langdurig wordt blootgesteld aan direct zonlicht.

5. INSTALLATIE

⚠ VOORZICHTIG

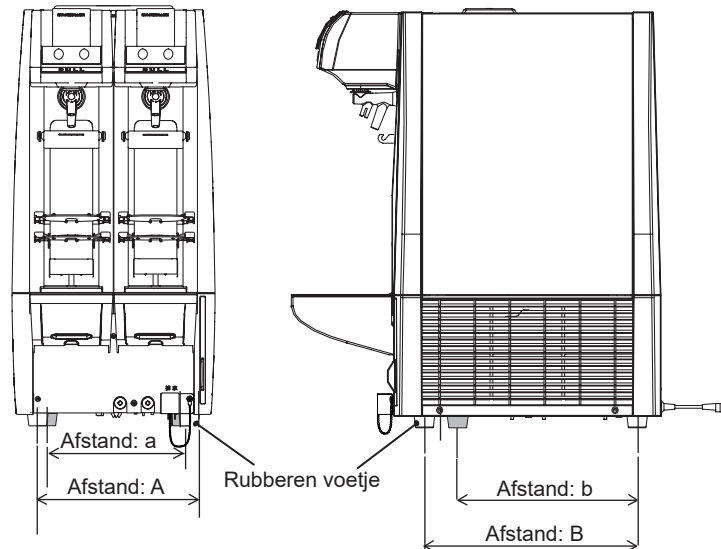
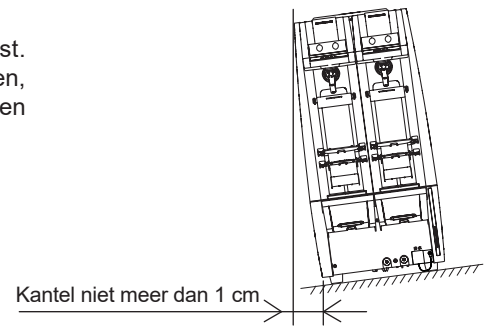
Een onjuiste installatie kan letsel veroorzaken aan mensen en dieren of andere voorwerpen beschadigen. De fabrikant kan hiervoor niet aansprakelijk worden gesteld.

NEDERLANDS

[a] TAP

De rubberen voetjes aan de voorzijde kunnen naar achter worden verplaatst. Als de voetjes niet op de ruimte voor installatie op een aanrecht of tafel passen, gebruik dan een schroevendraaier om de voorste voetjes van onder te verwijderen en op de volgende plekken te bevestigen.

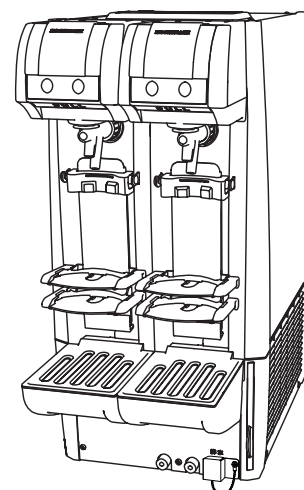
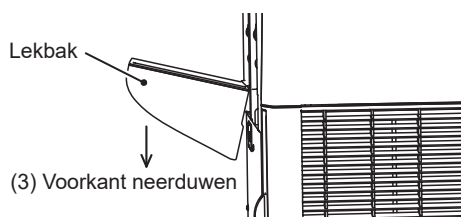
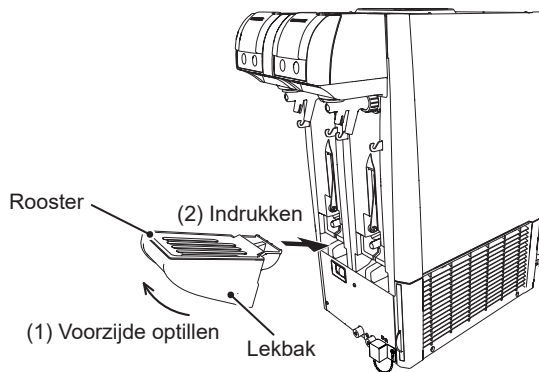
Fabrieksinstelling	Afstand: A	274 mm
	Afstand: B	388 mm
Na aanpassing	Afstand: a	244 mm
	Afstand: b	328 mm



[b] LEKBAK

Bevestigen van de lekbak (accessoires) en rooster (accessoire):

- (1) til de voorzijde van de lekbak op,
- (2) duw de lekbak vast in de lekbaksteun en
- (3) duw op de voorzijde van de lekbak.

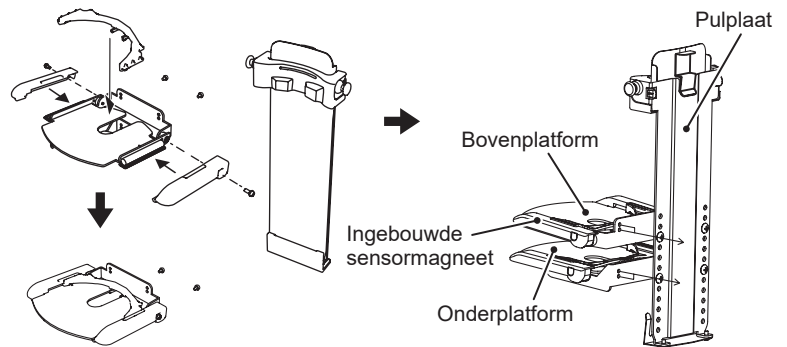


Na installatie van de accessoires

[c] PLATFORMINSTELLING

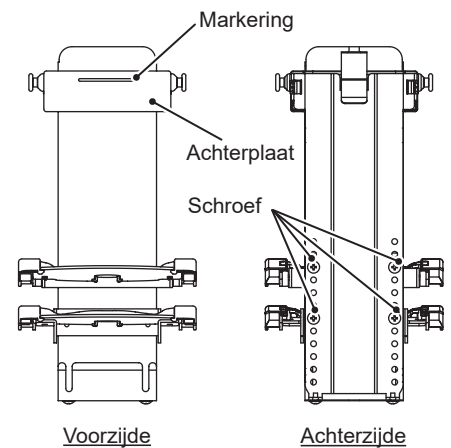
De bovenste en onderste platformposities zijn afstelbaar voor twee verschillende pulhoogten. De geleider kan afhankelijk van de vorm van de pul ook naar voor en achter worden verplaatst.

- 1) Het platform bevat de onderdelen zoals rechts weergegeven.

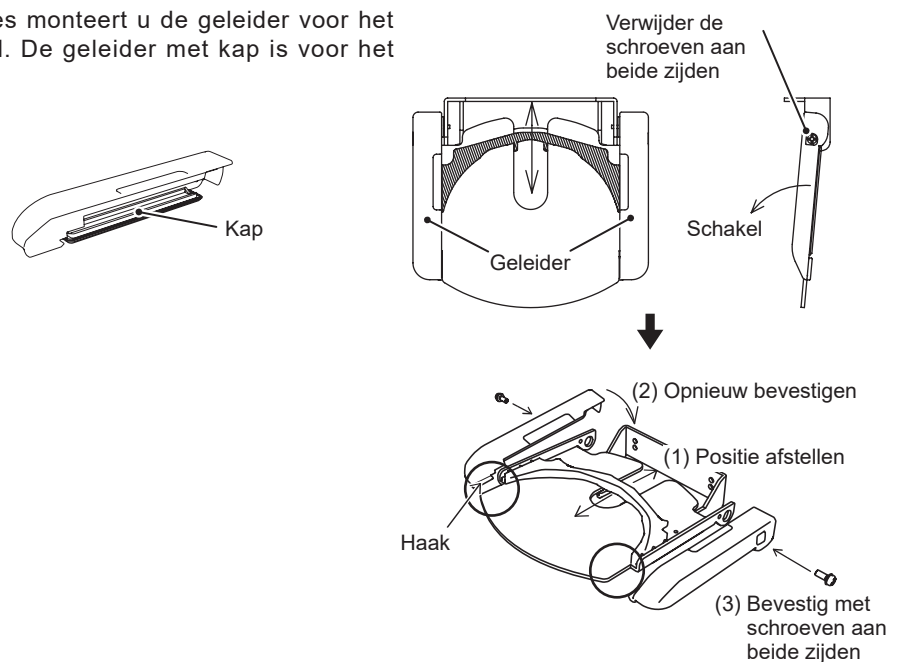


- 2) Plaats het platform in de gewenste positie en bevestig het met de schroeven.

De bovenplatformpositie is aanpasbaar tussen het eerste en het zevende niveau van de pulplaat en de onderplatformpositie tussen het vierde en het twaalfde niveau. Als u de pul op het platform zet, moet de bovenkant van de pul overeenkomen met de markering op de achterplaat. (Zie de tabel op de volgende pagina voor pulhoogten en platformposities).



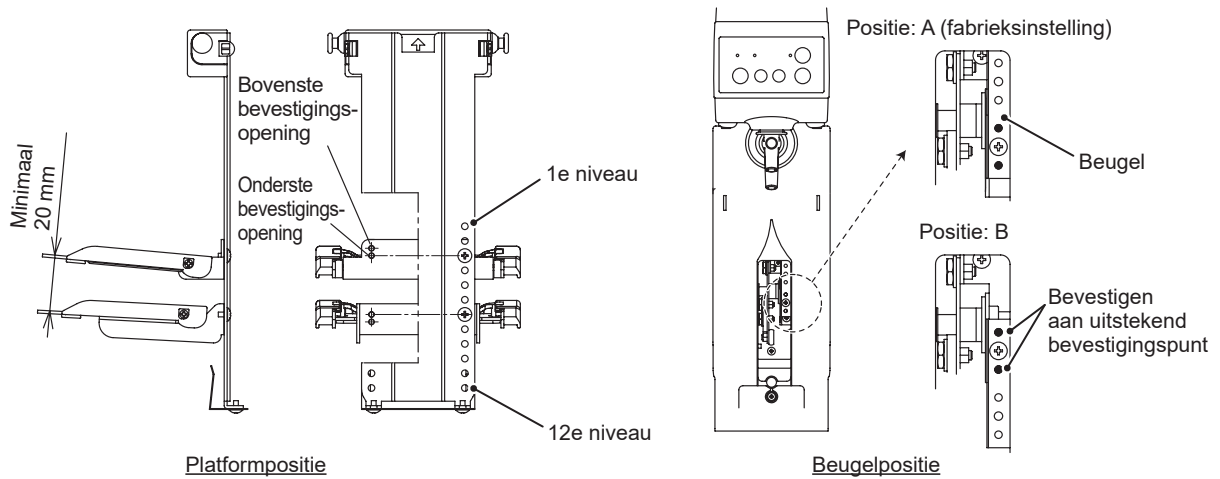
- 3) Na het afstellen van de platformposities monteert u de geleider voor het plaatsen van de onderkant van de pul. De geleider met kap is voor het bovenplatform.



- 4) Bevestig de platforms opnieuw aan het apparaat.

LET OP

Als u de positie van het bovenplatform aanpast, pas dan ook de plaats van de beugel aan in overeenstemming met de tabel op de volgende pagina.



Pulplaatniveau	Bovenplatform			Onderplatform		
	Bevestigingsopening	Pulhoogte (mm)	Beugelpositie	Bevestigingsopening	Pulhoogte (mm)	
1	Onder	135	A	Niet beschikbaar		
	Boven	140				
2	Onder	145				
	Boven	150				
3	Onder	155				
	Boven	160				
4	Onder	165	B	Onder	155	
	Boven	170		Boven	160	
5	Onder	175		Onder	165	
	Boven	180		Boven	170	
6	Onder	185		Onder	175	
	Boven	190		Boven	180	
7	Onder	195		Onder	185	
	Boven	200		Boven	190	
8	Niet beschikbaar			Onder	195	
				Boven	200	
9				Onder	205	
				Boven	210	
10				Onder	215	
				Boven	220	
11				Onder	225	
				Boven	230	
12				Onder	235	
				Boven	240	

Opmerking:
 1) Pulldiameter: binnendiameter van 50 mm tot 105 mm buiten- en onderdiameter
 2) De grote pul dient ten minste 20 mm hoger te zijn dan de kleinere pul.

6. ELEKTRISCHE AANSLUITINGEN

⚠ WAARSCHUWING

DIT APPARAAT MOET GEAARD ZIJN

Voor deze tap is een aarding vereist die voldoet aan de nationale en lokale elektrotechnische vereisten.

Installeer een geschikte aardedraad op de tap om mogelijk ernstige elektrische schokken voor personen of omvangrijke schade aan het apparaat te voorkomen.

Verwijder de stekker uit het stopcontact voordat onderhoud, reparaties of schoonmaakwerkzaamheden worden uitgevoerd.

⚠ VOORZICHTIG

De maximaal toelaatbare spanningsvariatie mag niet groter zijn dan ± 10 procent van de voorgeschreven spanning. Het gebruik van het apparaat buiten dit bereik kan rook, ontsteking, schade aan het apparaat of prestatievermindering veroorzaken.

* Voor dit apparaat is een afzonderlijke stroomvoorziening nodig. De stroomvoorziening moet worden beveiligd door een geschikte stroomonderbreker.

* Doorgaans zijn een elektriciteitsvergunning en de diensten van een gekwalificeerde installateur vereist.

* Als het voedings snoer is beschadigd, moet het worden vervangen door een vervangings snoer dat beschikbaar is bij uw dealer/leverancier.

7. AANSLUITINGEN VOOR GAS- EN BIERCIRCUIT

[a] CO2-GASCILINDER

⚠ WAARSCHUWING

Gebruik een CO2-gascilinder die ontworpen is voor gebruik met bier. Het gebruik van andere cilinders kan een explosie of luchtverontreiniging veroorzaken.

Als u een CO2-gascilinder draagt, houd dan de dop dicht en stoot de cilinder nergens tegenaan om het risico op explosies of gaslekken te voorkomen.

Houd de CO2-gascilinder uit direct zonlicht of temperaturen boven 40 °C om te hoge temperaturen en explosies te vermijden.

De regelaar moet met een onbeschadigde afdichtring worden geleverd om het risico op gaslekken te vermijden. Is dit niet het geval, neem dan contact op met de slijterij, het bierbedrijf of de distributeur voor het plaatsen van een nieuwe afdichtring.

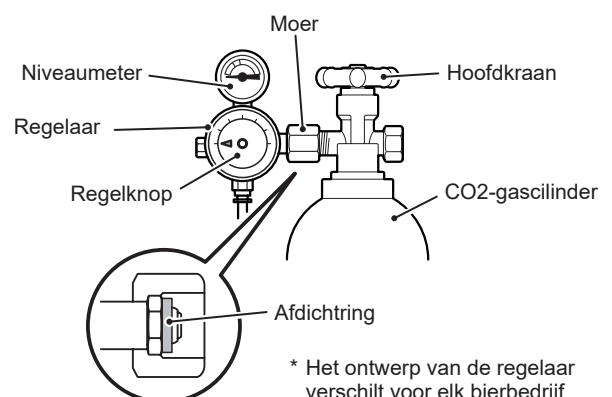
Zet de CO2-gascilinder rechtop en maak hem goed vast met het kettingaccessoire om omvallen en letsel of explosies te voorkomen.

Zorg dat uw gezicht niet naar de CO2-gascilinder is gericht terwijl u vuil en stof van de regelaarkoppeling blaast. Stof dat in uw ogen terechtkomt kan slechtiendheid veroorzaken.

Wees voorzichtig met de regelaar om stoten te vermijden, anders werkt hij mogelijk niet naar behoren en kunnen het biervat of de slang ontploffen.

Zet u de regelaar op '0' voordat u de hoofdkraan van de CO2-gascilinder opent of de tapkop van het biervat verwijdert. Zo niet kan de plotselinge gasdruk op het biervat een explosie veroorzaken of de tapkop eraf laten klappen.

- 1) Open kort de hoofdkraan van de nieuwe CO2-gascilinder om vuil en stof van de koppeling te blazen (samen met CO2-gas).
- 2) Controleer de afdichtring van de regelaar. Als deze is beschadigd of niet is geleverd, plaats dan een nieuwe afdichtring. (Neem contact op met de slijterij, het bierbedrijf of de distributeur).
- 3) Installeer de regelaar stevig vast op de CO2-gascilinder.



LET OP

Draai de moer eerst met de hand vast en vervolgens met de sleutel (accessoire), zodat de niveaumeter rechtop staat.

NEDERLANDS

- 4) Open de hoofdkraan door deze linksom te draaien en controleer de moer van de regelaar op gaslekken (geluid). Als er gas lekt, is de moer mogelijk niet stevig genoeg vastgedraaid of is de afdichting beschadigd of niet geleverd.

Opmerking: om te controleren op gaslekken brengt u met een spons zeep op de koppeling aan. Als er gas lekt, zullen zich belletjes vormen.

[b] SLANGVERBINDINGEN

⚠ WAARSCHUWING

Gebruik geen andere slangen dan de slangen die door het bierbedrijf zijn voorgeschreven om het risico op gaslekken en ontploffingen van de slang te voorkomen.

Snij het uiteinde van de slang af zodat u een verticaal snijvlak hebt en steek hem stevig in de snelkoppeling voor de slang zodat u een lekvrije koppeling hebt.

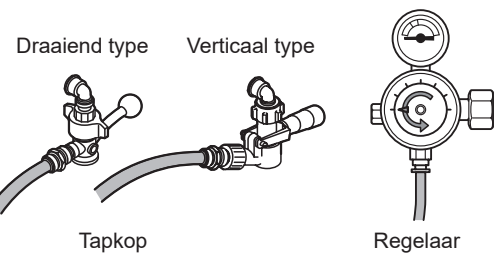
LET OP

Koppel de slangen niet opnieuw zonder er ongeveer 20 mm af te snijden.

Snijd de slangen met een speciaal hulpmiddel, zoals een slangsnijder. Gebruik geen schaar. Hiermee kunnen de slangen worden geplet en zo kunnen lekken ontstaan.

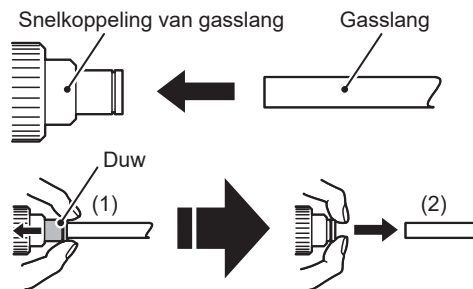
CO₂-gasslang

- 1) Snijd de CO₂-gasslang zodanig dat een verticaal snijvlak ontstaat en zorg dat de lengte van de gasslang minder is dan 1,4 m.
- 2) Steek de CO₂-gasslang stevig in de snelkoppeling van de gasslang op de tapkop en regelaar. Trek hard aan de slang om te controleren of de koppelingen stevig vastzitten.



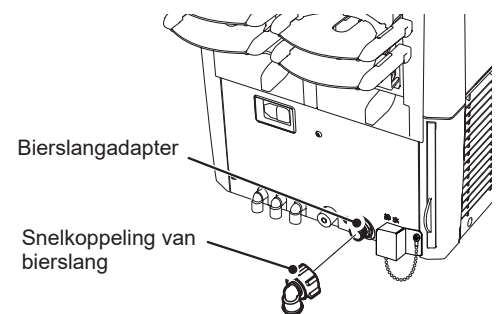
Snelkoppeling van gasslang

- 1) Duw de CO₂-gasslang volledig naar binnen om hem te verbinden.
- 2) Om de CO₂-gasslang te verwijderen, drukt u op het onderdeel (1) en houdt u het vast met uw vingers. Trek vervolgens de slang (2) uit.

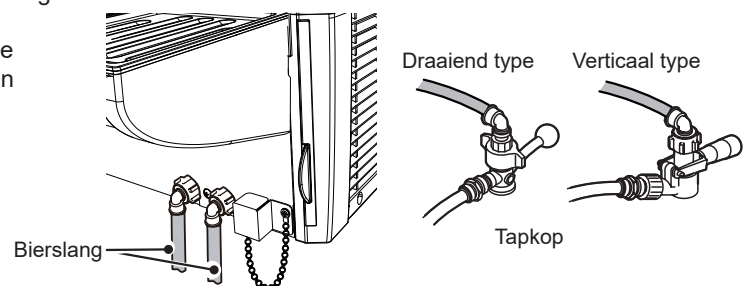


Bierslang

- 1) Bevestig de snelkoppeling van de door het bierbedrijf aanbevolen bierslang aan de bierslangadapter.
- 2) Snijd de bierslang zodanig dat een verticaal snijvlak ontstaat en zorg dat de lengte van de slang minder is dan 2,1 m.
- 3) Steek de bierslang stevig in de tapkop en de snelkoppeling van de bierslang. Trek hard aan de slang om te controleren of de koppelingen stevig vastzitten.



Opmerking: de manier waarop u de bierslang aan/van de snelkoppeling van de bierslang koppelt en ontkoppelt, is afhankelijk van het bierbedrijf.



[c] CONTROLES NA VERBINDINGEN

1) Was de reinigingstank grondig en vul deze met leidingwater.

Opmerking: Als de reinigingstank niet schoon is, wordt het biercircuit verontreinigd.

2) Draai de tapkop rechtsom en verbind hem met de reinigingstank.

Opmerking: Was de koppeling tussen de tapkop en de reinigingstank als deze niet schoon is.

3) Til het platform op en verwijder het.

4) Plaats een emmer op de lekbak om het schoonmaakwater op te vangen.

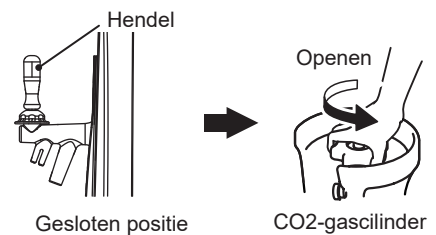
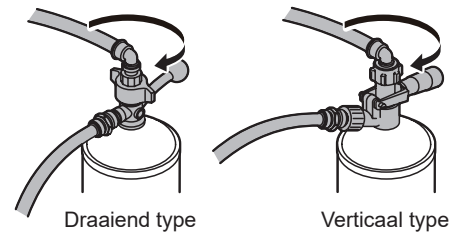
5) Zorg dat de hendel van de biertap in de gesloten (normale) positie staat. Open de hoofdkraan van de CO₂-gascilinder door deze enkele keren linksom te draaien.

6) Draai de regelknop van de regelaar om de druk op '0,15' (MPa) te zetten.

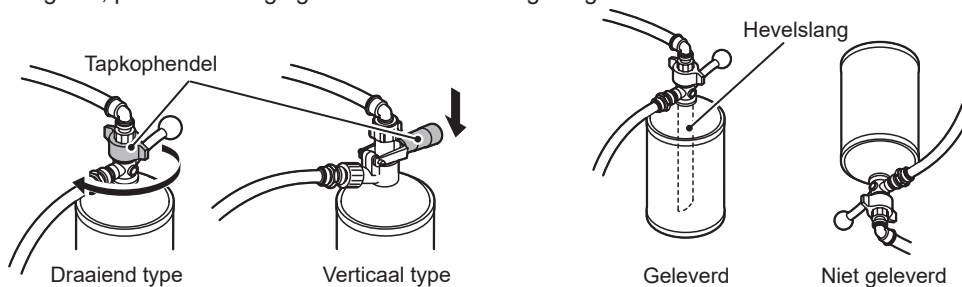
7) Open het biercircuit.

Draaiend type: draai de tapkophendel rechtsom totdat hij stopt.

Verticaal type: duw de tapkophendel omlaag totdat deze vastklikt.



Opmerking: als de reinigingstank een hevelsling bevat, plaats de reinigingstank dan met de ringfitting naar boven. Is dit niet het geval, plaats de reinigingstank dan met de ringfitting naar onder.



8) Trek de biertaphendel naar u toe om water uit het vloeistofmondstuk te laten stromen.

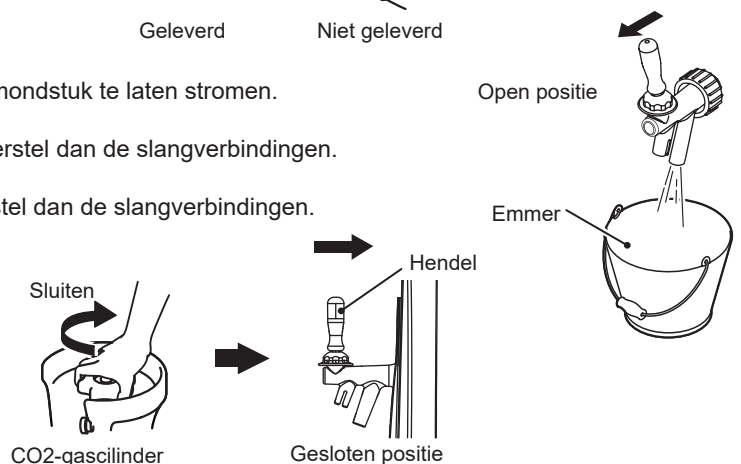
9) Controleer het CO₂-gascircuit op gaslekken. Als het lekt, herstel dan de slangverbindingen.

10) Controleer het biercircuit op waterlekken. Als het lekt, herstel dan de slangverbindingen.

11) Houd de biertaphendel in de open positie en draai de regelknop van de regelaar om de druk op '0' (MPa) te zetten.

12) Sluit de hoofdkraan van de CO₂-gascilinder door deze rechtsom te draaien.

13) Als er geen CO₂-gas meer uit het mondstuk komt, duw dan de biertaphendel terug in de gesloten positie.



8. CONTROLES NA INSTALLATIE

1) Vul de watertank met het voorgeschreven water. Zie "II. 2. WATERTANK VULLEN".

2) Spoel het biercircuit en controleer op waterlekken. Zie "III. 2. BIERCIRCUIT (DAGELIJKS)".

3) Controleer of het spanningsniveau van de stroomvoorziening juist is.

NEDERLANDS

4) Sluit het apparaat aan.

* Controleer of de koeleenheid en de roerwerkmotor starten.

(Bij lage temperaturen start de condensorventilatormotor mogelijk niet tot de condensortemperatuur stijgt).

* Open na acht tot dertien uur (afhankelijk van de omgevings-/watertemperatuur) de bovenkap en controleer of er ijs in de watertank zit.

5) Leg de gebruiker uit hoe het apparaat moet worden bediend.

6) Overhandig deze handleiding aan de gebruiker.

9. INSTELLEN VAN DE UITVERKOCHTSENSOR ('U07')

Kies een van de vier modi naargelang het type drank dat u tapt (bijv. bier of cocktail).

1) Verlaag de bedieningspaneel eenheid aan de gewenste kant.

2) Druk op de set-knop van het bedieningspaneel en houd hem ingedrukt totdat 'U01' op het display verschijnt.

3) Gebruik de foam-knop of liquid-knop totdat 'U07' op het display verschijnt.

4) Druk op de set-knop om het huidige getal op het display te tonen. Gebruik de foam-knop of liquid-knop om het gewenste getal te kiezen (zie onderstaande tabel). Druk op de set-knop om het knipperende getal in te stellen.

Nr.	Instelling
0	Instelling A (voornamelijk bier)
1	Instelling B (voornamelijk cocktail)
2	Instelling C (voornamelijk cocktail)
3	Instelling D (optioneel)

Opmerking: de uitverkochtsensor staat standaard op "0: Instelling A (voornamelijk bier)". De instelling is afhankelijk van het te tappen drankmerk. Raadpleeg uw dealer/leverancier.

5) Druk nogmaals op de set-knop om "U07" op het display te tonen. Houd de set-knop langer dan drie seconden ingedrukt om de instelling te voltooien.

Opmerking: als u langer dan een minuut geen actie uitvoert, wordt de tapmodus hervat. Ga in dat geval terug naar stap 2) hierboven.

10. GEBRUIKERSINSTELLINGEN

Instellingen aanmaken of wijzigen:

Houd de set-knop langer dan drie seconden ingedrukt om de instellingenmodus te openen (zie "9. INSTELLEN VAN DE UITVERKOCHTSENSOR ('U07')").

Instellingen voltooien:

Houd met 'U__' op het display de set-knop gedurende drie seconden ingedrukt om de tapmodus te openen.

De tapmodus wordt ook hervat als u langer dan een minuut geen actie uitvoert.

Item	Omschrijving	Standaard	Instellingenbereik
U01	Digitaal display (in tapmodus) 0: Geen indicatie 1: Aantal pullen (*) * Het aantal varieert tussen grotere en kleinere glazen als u de pulinstelling wijzigt. * Houd de stop-knop drie seconden ingedrukt om te resetten.	0	0 - 1
U02	Log van het aantal pullen. Log van het aantal pullen voor elke reset in dalende volgorde. * De log wordt weergegeven bij elke vatvervangings door 'U04'. * De log wordt weergegeven voor kleinere en grotere pullen als de pulinstelling wordt gewijzigd. * Houd de stop-knop drie seconden ingedrukt om alle eerdere en huidige logs te resetten. Deze reset wordt niet meegerekend voor 'U04'.	0	Tot en met vijf logs

U03	Aantal spoelcycli	Aantal uitgevoerde spoelcycli * Een spoelcyclus bestaat uit vloeistofuitgifte via de liquid-knop (in totaal tien seconden) + schuimuitgifte via de foam-knop (in totaal drie seconden) in de spoelmodus, behalve als er tijdens de cyclus geen automatische taphandeling wordt plaatsvindt. * Houd de stop-knop drie seconden ingedrukt om te resetten.	0	0 - 9.999
U04	Aantal vatvervangingen (resetfrequentie)	Resetfrequentie voor het aantal pullen * Elke keer dat het aantal vaten wordt gereset via de stop-knop, wordt de vatvervanging geteld. * Houd de stop-knop drie seconden ingedrukt om te resetten.	0	0 - 9.999
U05	Helderheid van het dispense-lampje	Aanpassing van de helderheid van het dispense-lampje	6	1 - 8
U06	Flitsduur dispense-lampje	Aanpassing van de flitsduur van het dispense-lampje na voltooiing van het tappen. * Het dispense-lampje flitst om te voorkomen dat een andere pul wordt geplaatst terwijl er nog schuim drupt. * Automatisch tappen is niet beschikbaar terwijl het lampje flitst.	1	0 - 10
U07	Instellen van de uitverkochtsensor	0: instelling A (voornamelijk bier) / drempel: 2,2 V 1: instelling B (voornamelijk cocktail) / drempel: 2,5 V 2: instelling B (voornamelijk cocktail) / drempel: 2,8 V 3: instelling D (optioneel) / drempel: optioneel * De instelling is afhankelijk van het te tappen drankmerk. Raadpleeg uw dealer/leverancier.	0	0 - 3
U08	Automatische modus instellen	0: nee 1: ja (er kunnen geen knoppen worden bediend, behalve de dispense/stop-knop). * De automatische modus wordt gereset zodra de handmatige tapmodus wordt geselecteerd (door de bedieningspaneel eenheid op te tillen). Om de automatische modus voort te zetten, schakelt u naar de automatische tapmodus (door de bedieningspaneel eenheid omlaag te trekken) en drukt u op de dispense-knop.	0	0 - 1
U09	Kantelen van de pul	0: ja (de pul wordt gekanteld tijdens het tappen van het bier) 1: nee (de pul wordt rechtgehouden tijdens het tappen van het bier)	0	0 - 1
U10	Aantal pullen resetten	0: Handmatig 1: Handmatig of als de uitverkochtsensor het detecteert * Houd de stop-knop drie seconden ingedrukt om handmatig te resetten.	0	0 - 1
U90	Instellingen resetten	Alleen de gebruikersinstellingen initialiseren * Houd de stop-knop drie seconden ingedrukt als het display "1" weergeeft om te initialiseren. * Als de instellingen worden bijgewerkt, verschijnt 'U90' op het display. Indien niet bijgewerkt verschijnt wederom '0'.	0	0 - 1

II. BEDIENINGSINSTRUCTIES

1. BIERCIRCUIT REINIGEN

Hoewel het biercircuit voorafgaand aan de verzending is gereinigd, dient u het voor gebruik opnieuw schoon te maken. Zie "III. 2. BIERCIRCUIT (DAGELIJKS)".

Controleer of de onderdelen in hun juiste positie zijn geïnstalleerd. Zie "I. 1. CONSTRUCTIE".

2. WATERTANK VULLEN

LET OP

Gebruik alleen voorgeschreven water voor het vullen van de watertank. Gebruik van ander water of een combinatie van zout, azijn of sap kan leiden tot onvoldoende ijsopslag, corrosie of perforatie.

[a] KOELWATER MAKEN

BELANGRIJK

Lees dit gedeelte zorgvuldig door voordat u de watertank vult.

NEDERLANDS

Elektrische geleidbaarheid (EC) van koelwater voor de watertank

Gebruik geen leidingwater.

Vul de watertank met water dat een EC van 100-300 $\mu\text{S}/\text{cm}$ heeft.

Meet de elektrische geleidbaarheid met een geleidbaarheidsmeter.

* EC: Fysieke eigenschap waarmee het vermogen om elektriciteit te geleiden wordt aangegeven.

Eenheid: μS (microsiemens)/cm

Onder 100 $\mu\text{S}/\text{cm}$:

Compressor werkt mogelijk niet, wat tot een slechte koeling leidt.

Boven 300 $\mu\text{S}/\text{cm}$:

Er kan overmatige ijsvorming in de verdampers optreden en bier in de spoel kan bevriezen, zodat het bier niet goed kan worden getapt.

Koelwater maken met een EC van 100-300 $\mu\text{S}/\text{cm}$

De capaciteit van de watertank van dit apparaat is ongeveer 30 l.

Vorm het koelwater door 5 g zuiver natriumcarbonaat in ongeveer 10 l gedestilleerd water op te lossen. Voeg vervolgens ongeveer 20 l gedestilleerd water toe voor het vullen van de watertank.

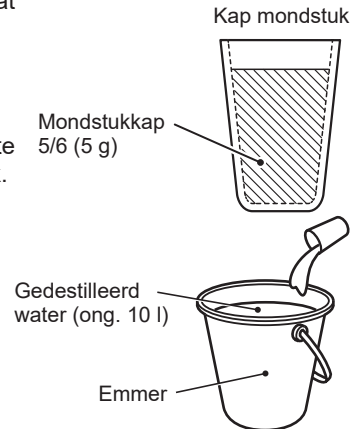
Stap 1

Meet 5 g zuiver natriumbicarbonaat af met de kap van het mondstuk (accessoire).

Stap 2

Vul een emmer met ongeveer 10 liter gedestilleerd water, voeg de 5 g natriumbicarbonaat toe die is afgemeten in stap 1 en roer het mengsel goed.

Spoel de kap van het mondstuk af na gebruik.



[b] KOELWATERTOEVER

⚠ WAARSCHUWING

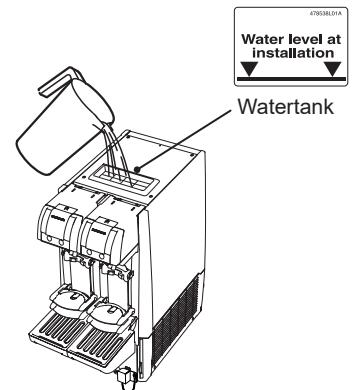
Schakel voor het vullen van de watertank de aan-/uitknop (aardlekschakelaar) uit en verwijder de stekker uit het stopcontact.

LET OP

Spetter geen water op elektrische onderdelen.

Vul de watertank niet tot boven de waterpeilaanduiding; anders stroomt de lekbak over en wordt water gemorst.

- 1) Verwijder de bovenkap.
- 2) Giet de emmer (ongeveer 10 l) met voorbereid koelwater leeg.
- 3) Vul de watertank met ongeveer 20 l gedestilleerd water tot de waterniveaulijn in de watertank.
- 4) Gebruik een geleidbaarheidsmeter voor het meten van de elektrische geleidbaarheid.
- 5) Sluit de bovenkap.



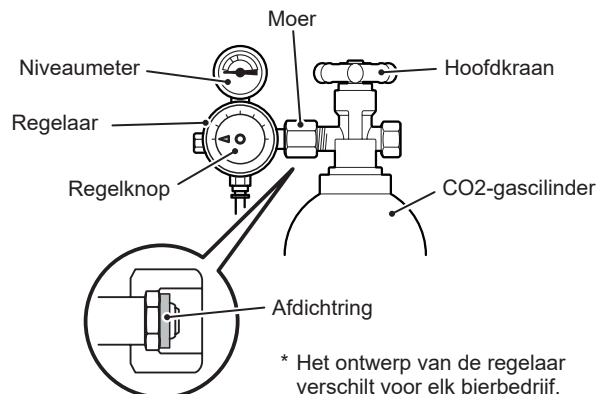
3. CONTROLES VOOR GEBRUIK (DAGELIJKS)

[a] CONTROLE VAN CO2-GASCILINDER

Open de hoofdkraan van de CO₂-gascilinder en controleer de gasdruk aan de hand van de niveaumeter van de regelaar:

* Als de niveaumeter niet meer dan 3 MPa aangeeft of zich in het gele gebied bevindt, bevat de cilinder weinig CO₂-gas.

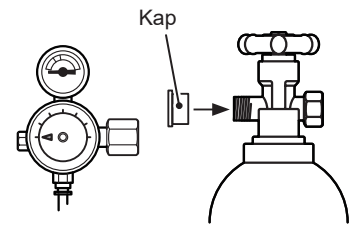
* Als de niveaumeter niet meer dan 1 MPa aangeeft of zich in het rode gebied bevindt, vervang dan door een nieuwe cilinder.



[b] VERVANGING VAN CO2-GASCILINDER

- 1) Sluit de hoofdkraan van de CO2-gascilinder door deze rechtsom te draaien.
- 2) Draai de regelknop van de regelaar om de druk op '0' (MPa) in te stellen.
- 3) Gebruik de sleutel (accessoire) om de moer los te draaien en verwijder de regelaar van de CO2-gascilinder.

Opmerking: let op dat u de CO2-gascilinder afdicht.
- 4) Open de hoofdkraan van de nieuwe CO2-gascilinder een seconde om vuil en stof van de koppeling te blazen (samen met CO2-gas).
- 5) Controleer de afdichtring van de regelaar. Als deze is beschadigd of niet is geleverd, plaats dan een nieuwe afdichtring. (Neem contact op met de slijterij, het bierbedrijf of de distributeur).
- 6) Zet de regelaar stevig vast op de CO2-gascilinder.



LET OP

Draai de moer eerst met de hand vast en vervolgens met de sleutel (accessoire), zodat de niveaumeter rechtop staat.

- 7) Open de hoofdkraan door deze linksom te draaien en controleer de moer van de regelaar op gaslekken (geluid). Als er gas lekt, is de moer mogelijk niet stevig genoeg vastgedraaid of is de afdichtring beschadigd of niet geleverd.

Opmerking: om te controleren op gaslekken brengt u met een spons zeep op de koppeling aan. Als er gas lekt, zullen zich belletjes vormen.
- 8) Draai de regelknop van de regelaar om een gepaste druk in te stellen zoals hieronder aangegeven.

⚠ WAARSCHUWING

Zorg dat de druk van het CO2-gas in het biervat niet hoger is dan 0,37 MPa. Zo niet kunnen het biervat of de slang exploderen, wat letsel kan veroorzaken.

De CO2-gasdruk op het biervat voorkomt dat CO2-gas van het bier ontsnapt. Hoe hoger de temperatuur van het biervat, hoe gemakkelijker CO2-gas ontsnapt en een hogere druk nodig is.

Temperatuur van biervat	Gasdruk
10 °C	0,20 MPa (schaal 2)
20 °C	0,22 MPa (schaal 2,2)
30 °C	0,32 MPa (schaal 3,2)

Opmerking: de waarden gelden slechts ter indicatie. Stel de juiste druk in zoals voorgeschreven door het bierbedrijf.

[c] BIERVAT CONTROLEREN

Vervang het biervat als het uitverkochtlampje aangaat en er geen bier meer wordt getapt. Bewaar een open biervat niet in de koelkast. Zorg dat het niet warmer wordt dan 30 °C.

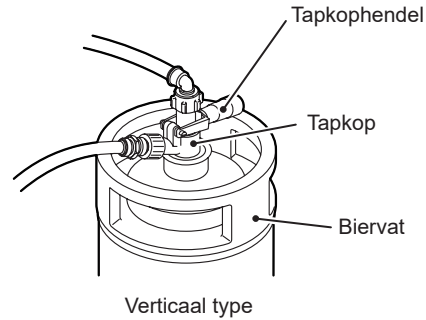
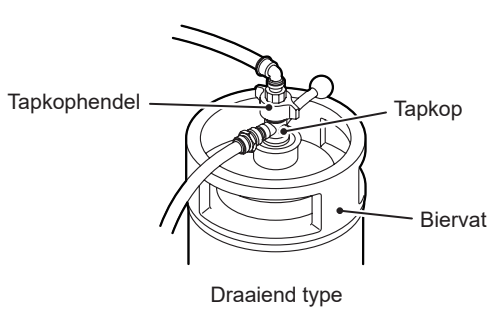
[d] BIERVAT VERVANGEN

⚠ WAARSCHUWING

Maak de ringfitting op het biervat niet los, want de druk aan de binnenkant kan de ringfitting eraf blazen en dit kan letsel veroorzaken.

NEDERLANDS

Wees voorzichtig met het biervat om vibraties te voorkomen. Het rollen of schudden van het biervat kan tot overmatige schuimvorming leiden.



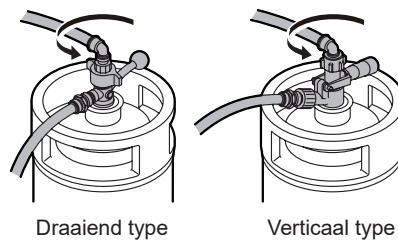
1) Sluit het biercircuit.

Draaiend type: draai de tapkophendel linksom totdat hij stopt.

Verticaal type: ontgrendel de tapkophendel en duw hem helemaal omhoog.

2) Draai de regelknop van de regelaar om de druk op '0' (MPa) in te stellen.

3) Draai de tapkop linksom om hem van het biervat te verwijderen.



4) Draai de tapkop rechtsom om hem aan het nieuwe biervat te bevestigen.

Opmerking: was de koppeling tussen de tapkop en het biervat als deze niet schoon is.

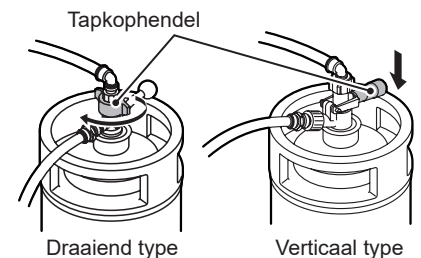
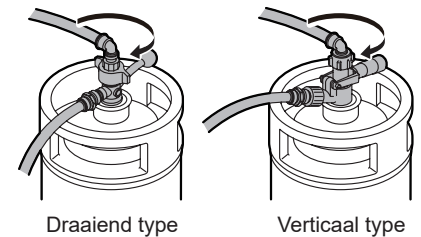
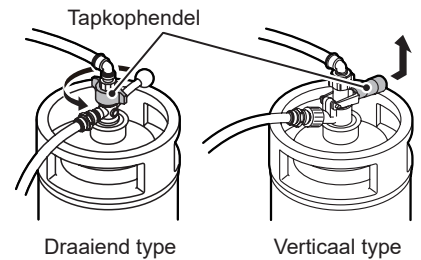
5) Draai de regelknop van de regelaar om een geschikt gasdrukpeil voor de temperatuur van het biervat in te stellen. Zie "[b] VERVANGING VAN CO2-GASCILINDER".

6) Open het biercircuit.

Draaiend type: draai de tapkophendel rechtsom totdat hij stopt.

Verticaal type: duw de tapkophendel omlaag totdat deze vastklikt.

7) Leid voordat u bier gaat tappen het bier naar de biertap volgens "4. [b] BIER NAAR DE TAP LEIDEN".



4. OPSTARTEN

⚠ WAARSCHUWING

Sluit in het geval van een gaslek de hoofdgastoevoer af en ventileer de kamer. Verwijder de stekker niet uit het stopcontact om vonken te voorkomen en brand en een explosie te vermijden.

Gebruik geen ontbrandingsspray en plaats geen vluchtige of brandbare stoffen in de buurt van het apparaat. Ze kunnen vlam vatten door vonken.

Neem contact op met uw dealer/leverancier als de stroom uitgaat. Zet het apparaat niet opnieuw aan om elektrische schokken of vuur te voorkomen.

In het geval van problemen verwijdert u de stekker uit het stopcontact of ontkoppelt u de hoofdstroomvoorziening en neemt u direct contact op met uw dealer/leverancier. Laat het apparaat niet aanstaan om mogelijke elektrische schokken of brand te voorkomen.

1) Sluit het apparaat aan.

2) De koeleenheid en de roerwerkmotor starten.

BELANGRIJK

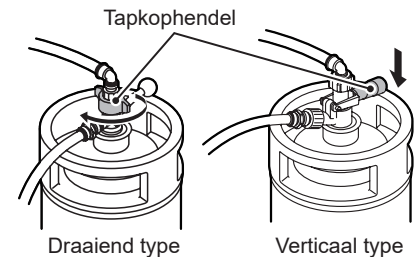
Vanaf het opstarten duurt het acht tot dertien uur om ijsopslag in de watertank te voltooien. Getapt bier is mogelijk niet koud genoeg totdat de ijsproductie is voltooid.

[a] SCHAKELMODUS

Met elke druk op de flush-knop op het bedieningspaneel schakelt u tussen de gereedmodus en de spoelmodus. In de gereedmodus licht het dispense-lampje op. In de spoelmodus licht het flush-lampje op.

[b] BIER NAAR DE TAP LEIDEN

- 1) Zorg dat de regelknop van de regelaar is ingesteld op de juiste druk die is aangegeven door het bierbedrijf.
- 2) Open het biercircuit.
Draaiend type: draai de tapkophendel rechtsom totdat hij stopt.
Verticaal type: duw de tapkophendel omlaag totdat deze vastklikt.
- 3) Plaats een pul op het platform.
- 4) Houd de foam-knop ingedrukt om via het schuimmondstuk lucht uit het biercircuit te laten ontsnappen. Laat de foam-knop los zodra er geen lucht meer ontsnapt en een gelijkmatige stroom schuim wordt geproduceerd. Als het bier de uitverkochtsensor bereikt, gaat het uitverkochtlampje uit en licht het gereedlampje op.
- 5) Druk op de liquid-knop om te controleren of er helder bier wordt getapt. Laat de liquid-knop los om het bier te stoppen.



BELANGRIJK

Als het vloeistofmondstuk wordt gebruikt om lucht uit het biercircuit te laten ontsnappen, spettert er vloeistof en gas uit. Als u een biervat aansluit of vervangt, gebruik dan altijd het schuimmondstuk om lucht te laten ontsnappen.

5. VLOEISTOF- EN SCHUIMHOEEVEELHEID INSTELLEN

⚠ VOORZICHTIG

Plaats uw vingers niet achter het bewegende platform om het risico op letsel te verkleinen.

BELANGRIJK

De vloeistof- en schuimhoeveelheid past u aan via een visuele controle van het getapte bier en bediening van de knop. De ingestelde hoeveelheden wijken af naargelang de druk van het CO₂-gas. Elke keer dat de CO₂-gasdruk wordt veranderd, moet u ze opnieuw instellen.

De instelling is beschikbaar voor elke combinatie van twee pulafmetingen. Plaats de grote pul op het onderplatform en de kleine pul op het bovenplatform. De grote pul dient ten minste 2 cm hoger te zijn dan de kleine pul.

Automatisch tappen is bedoeld voor een standaard glazen pul. Gebruik geen kartonnen of keramische beker om overmatig schuimen te voorkomen.

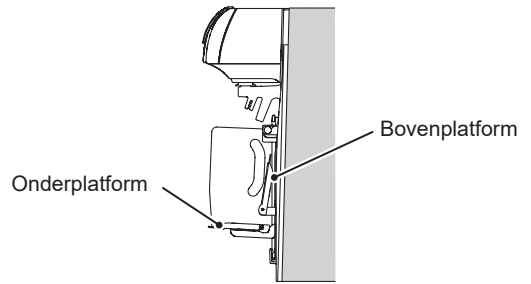
De ingestelde hoeveelheden wijken mogelijk af op basis van de temperatuur van de omgeving en het biervat, de gebruiksomstandigheden en de resterende hoeveelheid bier.

De tolerantie voor de ingestelde hoeveelheden is ongeveer 30 ml per pul van 400 ml. De CO₂-gasdruk moet worden afgesteld op basis van de temperatuur van het biervat. De ingestelde hoeveelheden wijken mogelijk af op basis van de prestaties van de regelaar die de CO₂-gasdruk regelt. Als de ingestelde hoeveelheden te veel afwijken, moet de regelaar worden vervangen.

Leeg de lekbak regelmatig voordat hij overstroomt en op de vloer lekt. Het koelwater in de watertank absorbeert vocht uit de lucht dat via de overloopslang naar de lekbak wordt afgevoerd.

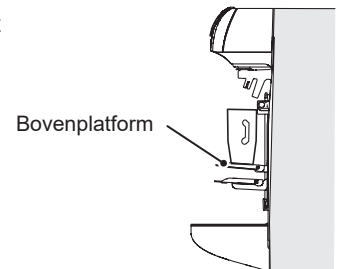
[a] INSTELLING VOOR GROTE PUL

- 1) Kantel het bovenplatform omhoog (accessoire). Plaats een schone pul op het onderplatform (accessoire) met de achterkant tegen de wand.
- 2) Druk op de set-knop. Het set-lampje licht op en het dispense-lampje knippert.
- 3) Houd de dispense-knop ingedrukt om het platform tot een hoek van 40 graden omhoog te laten komen.
- 4) Houd de liquid-knop ingedrukt terwijl u op de dispense-knop drukt. Als de gewenste hoeveelheid vloeistof is getapt, laat u alleen de liquid-knop los. Het platform blijft onder een hoek staan.
- 5) Terwijl u op de dispense-knop drukt, kiest u hoe het platform terug naar de oorspronkelijke positie beweegt.
Om het platform te laten bewegen terwijl er vloeistof wordt getapt, houdt u gedurende de gewenste taptijd de liquid-knop ingedrukt.
Om het platform te laten bewegen zonder vloeistof te tappen, drukt u op de stop-knop.
- 6) [Als u geen schuim nodig hebt, sla dan stap 6) over en ga naar stap 7).]
Houd de foam-knop ingedrukt terwijl u op de dispense-knop drukt. Als de gewenste hoeveelheid schuim is getapt, laat u alleen de foam-knop los. Druk opnieuw op de foam-knop om meer schuim toe te voegen.
- 7) Laat de dispense-knop los om de instelling voor de grote pul te voltooien. Het set-lampje gaat uit en het dispense-lampje gaat van knipperen naar continu branden. Als de instelling niet is voltooid, gaat u terug naar stap 2).



[b] INSTELLING VOOR KLEINE PUL

- 1) Kantel het bovenplatform omlaag. Plaats een schone pul op het bovenplatform met de achterkant tegen de wand.
- 2) Zie stappen 2) tot 7) in "[a] INSTELLING VOOR GROTE PUL".



6. TAPPEN

BELANGRIJK

Serveer bier in overeenstemming met de toepasselijke lokale wetgeving.

[a] AUTOMATISCH TAPPEN

- 1) Controleer of de biertap niet druppelt. Plaats een schone pul op hetzelfde platform als het platform dat voor de instelling wordt gebruikt.
- 2) Druk op de dispense-knop. Het apparaat tapt automatisch de ingestelde hoeveelheden vloeistof en schuim.

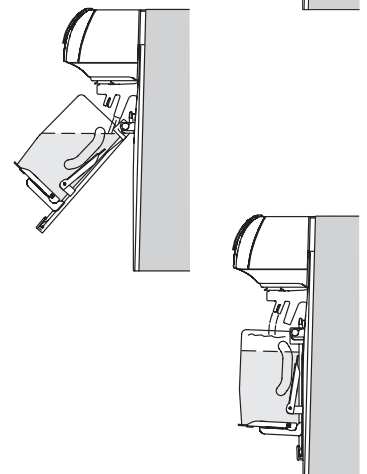
BELANGRIJK

Het kantelen van de pul is standaard ingesteld op '0: Ja' (de pul wordt gekanteld terwijl bier wordt getapt).

- 3) Houd de foam-knop ingedrukt tot de gewenste hoeveelheid schuim wordt getapt om meer schuim toe te voegen.

BELANGRIJK

Plaats een pul op het platform als er geen resterend schuim meer uit de biertap druppelt.



[b] AUTOMATISCH TAPPEN STOPPEN

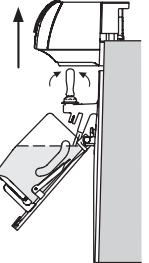
BELANGRIJK

Als er tijdens het tappen een stroomstoring plaatsvindt en de bedieningspaneel eenheid is opgetild, trek deze dan niet met kracht naar beneden nadat de stroomvoorziening is hersteld, maar neem contact op met uw dealer/leverancier.

Als het display een foutcode toont (E_ _), schakel dan de stroomvoorziening uit en opnieuw aan. Als het display de foutcode nog steeds toont, neem dan contact op met uw dealer/leverancier.

Automatisch tappen halverwege stoppen:

- 1) Druk op de stop-knop. Het platform stopt in die positie.
Als u opnieuw op de stop-knop drukt, keert het platform terug naar zijn oorspronkelijke positie.
- 2) Als het tappen niet stopt als de stop-knop is ingedrukt, til dan de bedieningspaneel eenheid op. De biertaphendel koppelt los van de bedieningspaneel eenheid en keert terug naar de gesloten positie. Als er bier blijft stromen, beweeg de hendel dan heen en weer.



⚠ VOORZICHTIG

Steek uw vingers niet in de onderste opening van de bedieningspaneel eenheid terwijl deze is opgetild om letsel te voorkomen.

- 3) Sluit de tapkop die aan het biervat is bevestigd. Zie "II. 3. [d] BIERVAT VERVANGEN".

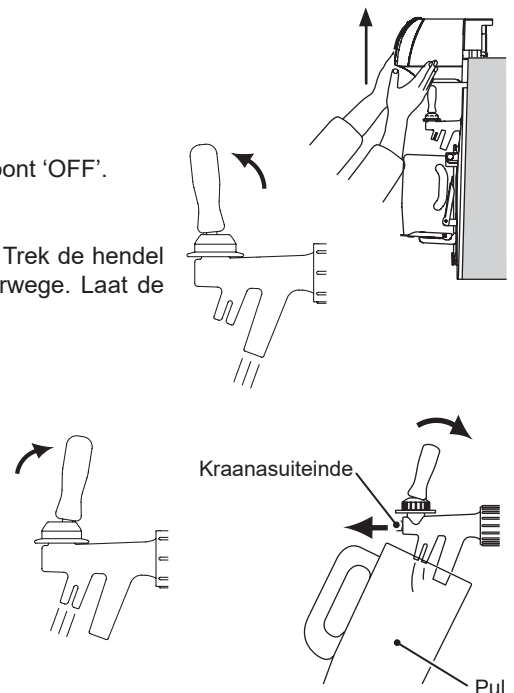
Automatisch tappen stoppen in het geval van een stroomonderbreking of fout:

Volg stappen 2) en 3) hierboven.

[c] HANDMATIG TAPPEN

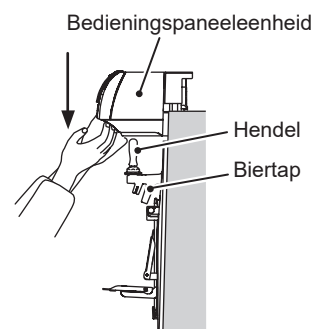
- 1) Til de bedieningspaneel eenheid langzaam op totdat hij vastklikt. Het display toont 'OFF'.
- 2) Trek om bier te tappen de hendel van de biertap snel naar u toe tot hij stopt. Trek de hendel niet te langzaam, om overmatig schuimen te voorkomen en stop niet halverwege. Laat de hendel los om het bier te stoppen.
- 3) Duw om schuim te tappen de hendel van de biertap snel van u af tot hij stopt. Stop de hendel niet halverwege, om vloeibaar schuim te voorkomen. Laat de hendel los om het schuim te stoppen.

Opmerking: als u tijdens handmatig tappen tegen de biertaphendel duwt, komt het uiteinde van de kraanas eruit. Pas op dat u de pul niet tegen de as stoot.



[d] Overschakelen op de automatische tapmodus

- 1) Houd de onderkant van de bedieningspaneel eenheid vast en trek de hendel aan de voorzijde naar u toe om te ontgrendelen.
- 2) Trek om de biertaphendel af te dekken de bedieningspaneel eenheid volledig omlaag. Het dispense-lampje licht op.



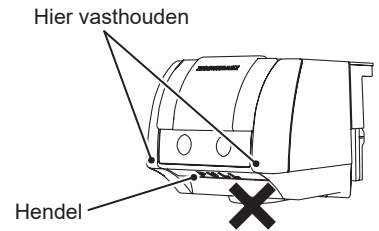
⚠ VOORZICHTIG

Voorkom letsel door niet het onderdeel dat met een kruis is gemarkeerd vast te houden, maar door het ronde oppervlak aan de voorzijde vast te houden wanneer u de bedieningspaneel eenheid omlaag trekt.

Voorkom schade door de bedieningspaneel eenheid niet met kracht omlaag te trekken zonder de hendel te ontgrendelen.

7. UITVERKOCHTSENSOR

Als het biervat leeg raakt, detecteert het apparaat deze status automatisch en stopt het met tappen. Het uitverkochtlampje licht op en de dispense-knop is niet meer beschikbaar.



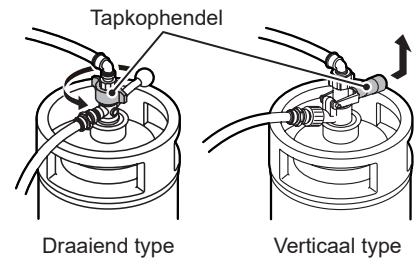
BELANGRIJK
De uitverkochtsensor staat standaard op '0: Instelling A (voornamelijk bier)'.
In de handmatige tapmodus stopt het apparaat niet met tappen, zelfs als het uitverkochtlampje oplicht. Let tijdens het tappen op het bierniveau in het vat.
Vervang het biervat als het uitverkochtlampje oplicht. Zie "3. [d] BIERVAT VERVANGEN" en "4. [b] BIER NAAR DE TAP LEIDEN".

8. EINDE VAN HET TAPPEN

1) Sluit het biercircuit.

Draaiend type: draai de tapkophendel linksom totdat hij stopt.

Verticaal type: ontgrendel de tapkophendel en duw hem helemaal omhoog.



BELANGRIJK
Wanneer de tapkop op het vat gesloten is, kan er gas binnen het biercircuit blijven. Voorkom overmatige schuimvorming of problemen met het tappen door bier in het biercircuit te leiden totdat er gas uit de biertap komt voordat u de volgende dag begint met tappen. Zie "4. [b] BIER NAAR DE TAP LEIDEN".

2) Spoel het biercircuit door volgens "III. 2. BIERCIRCUIT (DAGELIJKS)".

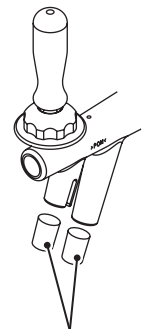
3) Draai de regelknop van de regelaar om de druk op '0' (MPa) in te stellen.

4) Sluit de hoofdkraan van de CO2-gascilinder door deze rechtsom te draaien.

Opmerking: Zorg dat de hoofdkraan van de CO2-gascilinder aan het einde van het tappen wordt gesloten om te voorkomen dat een overmatige hoeveelheid CO2-gas in het biervat komt.

5) Veeg vocht van de uiteindes van de biertapmondstukken. Maak de mondstukkappen (accessoire) schoon en bevestig deze.

Opmerking: bevestig de mondstukkappen aan het einde van het tappen of wanneer u het apparaat langere tijd niet gebruikt, om te voorkomen dat insecten of vuil in de biertapmondstukken komen.



9. UITSCHAKELEN

[a] UITSCHAKELEN

1) Controleer of de tapkop is gesloten. Zie "8. 8. EINDE VAN HET TAPPEN".

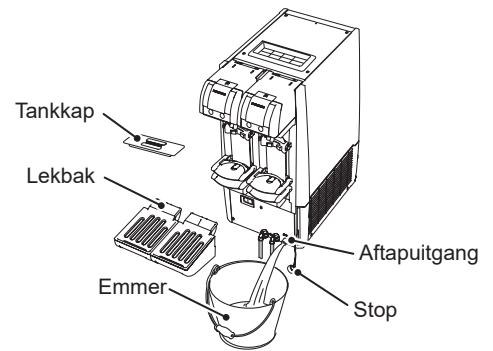
Opmerking: als de tapkop open is, kan de vloer nat zijn als er bier lekt.

2) Trek de stekker van het apparaat uit het stopcontact. De koeleenheid en de roerwerkmotor stoppen.

[b] AFTAPPEN VAN DE WATERTANK

▲HYGIËNE
Wanneer het apparaat langer dan een week niet wordt gebruikt, moet u de watertank laten leeglopen om verontreiniging van het water te voorkomen.

Opmerking: het duurt een paar dagen na het uitschakelen voordat het ijs in de watertank is gesmolten. Schakel het apparaat uit voordat u de watertank laat leeglopen en controleer of het ijs in de watertank is gesmolten. Deze kan anders niet naar behoren leeglopen.



- 1) Verwijder de lekbak (accessoire). Zie "III. 3. LEKBAK EN ROOSTER (DAGELIJKS)".
- 2) Plaats een emmer met een inhoud van ten minste 35 l voor het apparaat. Verwijder de stop van de aftapuitgang om het water weg te laten lopen uit de watertank.
- 3) Verwijder na het aftappen van de watertank de bovenkap om de binnenkant van de watertank te laten drogen.

III. ONDERHOUD

⚠ WAARSCHUWING

Ontkoppel de tap van het stroomnet voordat u het apparaat schoonmaakt of onderhoudt.

Dit apparaat mag niet worden schoongemaakt met behulp van een waterstraal.

LET OP

Maak om schade te voorkomen de plastic onderdelen niet schoon in een vaatwasser of in water dat warmer is dan 40 °C.

Gebruik een neutraal schoonmaakmiddel voor dagelijks onderhoud en een kationactief detergent (benzalkoniumchloride) voor ontsmetting.

Gebruik geen verdunner, benzeen, alcohol, petroleum, waspoeder, schuurpoeder, alkalisch schoonmaakmiddel, zuur, afwasborstel en met name reinigingsmiddelen voor ventilatoren en fornuizen, om schade aan geverfde of plastic oppervlakken te voorkomen. Gebruik ook geen chloorbleekmiddel (natriumhypochloriet), dit om corrosie te voorkomen.

Volg bij het gebruik van chemische doekjes de instructies van de fabrikant.

Gebruik een schone doek met schone handen.

In sommige gevallen kan vaker schoonmaken noodzakelijk zijn.

⚠ HYGIËNE

Lees en begrijp bij het gebruik van een kationactief detergent of natriumhypochloriet de bijgeleverde instructies om mogelijke gezondheidsrisico's te voorkomen.

Reinig het biercircuit elke dag na het tappen om verontreiniging te voorkomen.

Was uw handen voordat u onderdelen vastpakt of schoonmaakt.

1. BASISREINIGING

- 1) Was uw handen.
- 2) Leg schone doeken klaar.
- 3) Verwijder de stekker van het apparaat uit het stopcontact.
- 4) Meng ongeveer 10 ml 10% kationactief detergent (benzalkoniumchloride) in 1 l warm water (van 30 tot 40 °C). Maak een droge doek vochtig om de onderdelen schoon te vegen.
- 5) Veeg na 3 minuten alle zeepresten weg met een doek gedrenkt in koud of warm water. Veeg het apparaat vervolgens droog met een schone doek.

BELANGRIJK

Resterende schoonmaakoplossing kan schade aan de metalen en plastic oppervlakken veroorzaken.

Gebruik een neutraal schoonmaakmiddel en spoel af met leidingwater om opgehoopt vuil te verwijderen.

2. BIERCIRCUIT (DAGELIJKS)

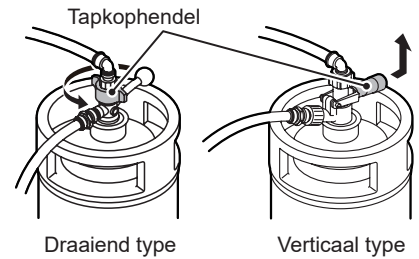
Gebruik de reinigingstank die is voorgeschreven door het bierbedrijf om het biercircuit te spoelen. Volg de instructies die bij de reinigingstank zijn geleverd.

1) Druk op de flush-knop op het bedieningspaneel. Controleer of het flush-lampje oplicht.

2) Sluit het biercircuit.

Draaiend type: draai de tapkophendel linksom totdat hij stopt.

Verticaal type: ontgrendel de tapkophendel en duw hem helemaal omhoog.



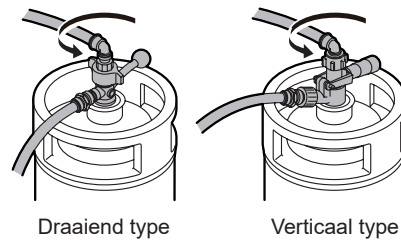
3) Draai de regelknop van de regelaar om de druk op '0' (MPa) in te stellen.

4) Sluit de hoofdkraan van de CO₂-gascilinder door deze rechtsom te draaien.

5) Druk op de liquid-knop om het resterende bier in het circuit te tappen.

6) Druk op de stop-knop zodra er geen bier meer uitkomt.

7) Draai de tapkop linksom om hem van het vat te verwijderen.

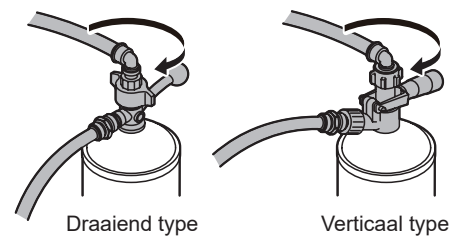


8) Was de reinigingstank grondig en vul deze met leidingwater.

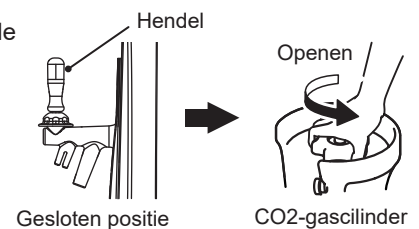
Opmerking: Als de reinigingstank niet schoon is, wordt het biercircuit verontreinigd.

9) Draai de tapkop rechtsom en bevestig hem aan de reinigingstank.

Opmerking: Was de koppeling tussen de tapkop en de reinigingstank als deze niet schoon is.



10) Zorg dat de hendel van de biertap in de gesloten (normale) positie staat. Open de hoofdkraan van de CO₂-gascilinder door deze enkele keren linksom te draaien.



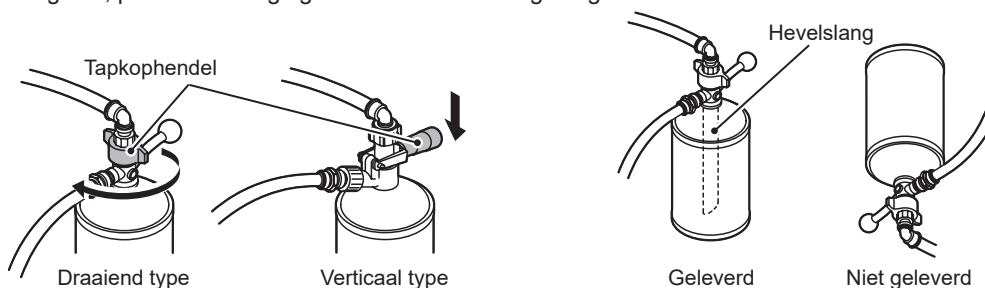
11) Draai de regelknop van de regelaar om de druk op '0,15' (MPa) te zetten.

12) Open het biercircuit.

Draaiend type: draai de tapkophendel rechtsom totdat hij stopt.

Verticaal type: duw de tapkophendel omlaag totdat deze vastklikt.

Opmerking: als de reinigingstank een hevelslang bevat, plaats de reinigingstank dan met de ringfitting naar boven. Is dit niet het geval, plaats de reinigingstank dan met de ringfitting naar onder.



13) Verwijder de platforms en de lekbak en plaats een emmer onder de biertap.

14) Druk op de liquid-knop om water uit het vloeistofmondstuk te tappen. Herhaal dit enkele keren tot er geen water meer uitkomt.

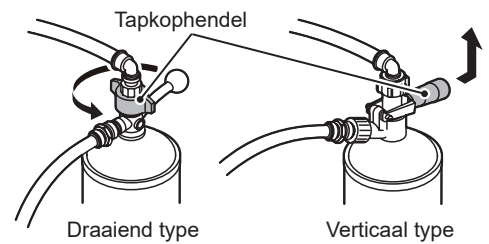
Druk vervolgens op de foam-knop om water uit het schuimmondstuk te tappen. Herhaal dit enkele keren tot er geen water meer uitkomt.

- 15) Als er geen water meer uit het mondstuk komt, houd de biertaphendel dan in de open positie en draai de regelknop van de regelaar om de druk op '0' (MPa) te zetten.
- 16) Sluit de hoofdkraan van de CO₂-gascilinder door deze rechtsom te draaien.
- 17) Als er geen CO₂-gas meer uit het mondstuk komt, druk dan op de stop-knop om de biertap te sluiten.

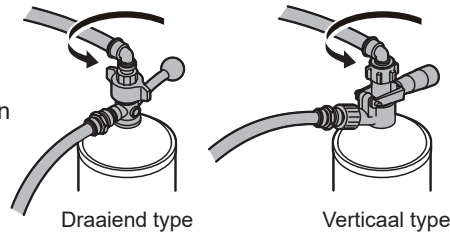
18) Sluit het biercircuit.

Draaiend type: draai de tapkophendel linksom totdat hij stopt.

Verticaal type: ontgrendel de tapkophendel en duw hem helemaal omhoog.

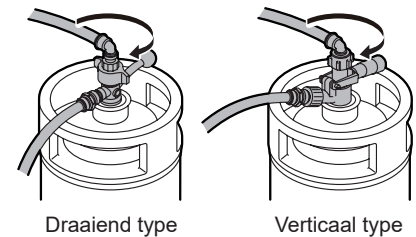


19) Draai de tapkop linksom om hem van de reinigingstank te verwijderen.



20) Draai de tapkop rechtsom om hem aan het biervat te bevestigen.

Opmerking: was de koppeling tussen de tapkop en het biervat als deze niet schoon is.



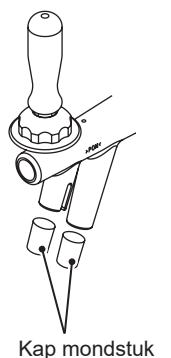
21) Was de binnenkant van de reinigingstank grondig, draai deze ondersteboven om te drogen en maak de kap stevig vast voor opslag.

22) Zet het platform op de armen.

23) Druk op de flush-knop op het bedieningspaneel. Controleer of het flush-lampje dooft en het uitverkochtlampje oplicht.

24) Veeg vocht van de uiteindes van de biertapmondstukken. Maak de mondstukkappen (accessoire) schoon en bevestig deze.

Opmerking: bevestig de mondstukkappen aan het einde van het tappen of wanneer u het apparaat langere tijd niet gebruikt, om te voorkomen dat insecten of vuil in de biertapmondstukken komen.



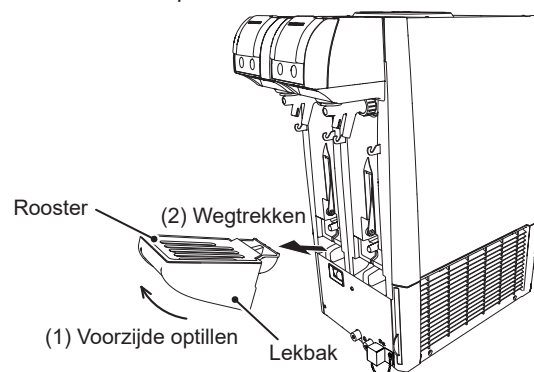
3. LEKBAK EN ROOSTER (DAGELIJKS)

1) Til de voorzijde van de lekbak op en trek hem naar u toe.

Opmerking: let op dat u geen water en bier in de lekbak morst.

2) Was het rooster en de lekbak met leidingwater.

3) Plaats het rooster op de lekbak en bevestig de lekbak door hem stevig in de lekbaksteun te duwen.



4. PLATFORM (DAGELIJKS)

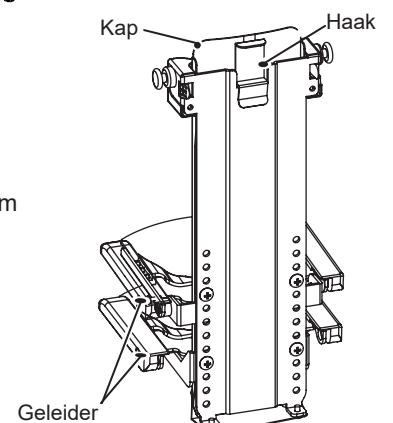
1) Til het platform lichtjes op en verwijder het van de armen.

2) Til de kap van het platform af.

3) Was de kap en het platform met leidingwater. Gebruik warm water en een doek of spons om opgehoopt vuil in de openingen te verwijderen.

4) Steek de kap in het platform tot hij vasthaakt.

5) Bevestig het platform weer aan de armen.



LET OP

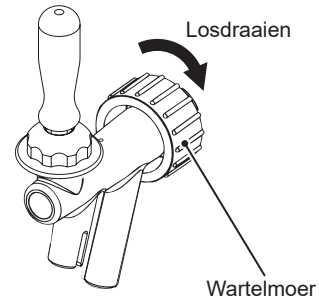
Wees voorzichtig met het platform. Als u het laat vallen en het beschadigd raakt, is detectie van de juiste pulgrootte mogelijk niet meer beschikbaar.

Neem contact op met uw dealer/leverancier als het platform is beschadigd.

5. BIERCIRCUIT REINIGEN MET EEN SPONS (WEKELIJKS)

Gebruik de reinigingstank die is voorgeschreven door het bierbedrijf om het biercircuit te spoelen. Volg de instructies die bij de reinigingstank zijn geleverd.

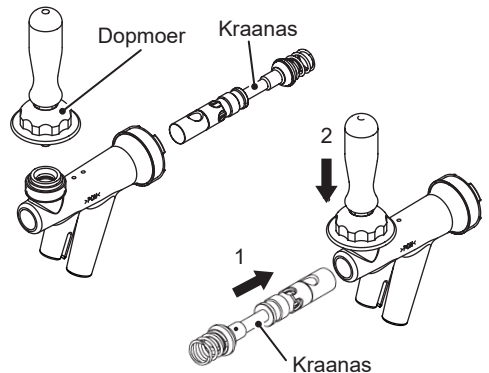
- 1) Volg de stappen van "2. BIERCIRCUIT (DAGELIJKS)".
- 2) Til de bedieningspaneel eenheid langzaam op totdat hij vastklikt.
- 3) Draai de wartelmoer rechtsom om de biertap te verwijderen.



LET OP

Wees voorzichtig met de biertap en laat hem niet vallen.

- 4) Maak de dopmoer los om de biertap uit elkaar te halen. Draai de kraanas in de tegengestelde richting en draai de dopmoer vast.



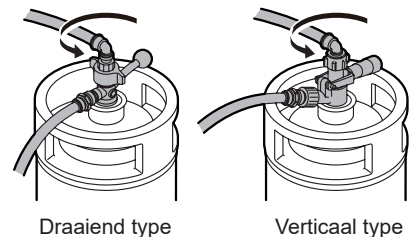
LET OP

Bevestig de kraanas in de tegengestelde richting om te voorkomen dat de schoonmaakspons de biertap verstopt.

Wees voorzichtig met de kraanas. Als hij misvormd of beschadigd raakt, kan er bier lekken.

Wees voorzichtig met de biertaphendel en laat hem niet vallen.

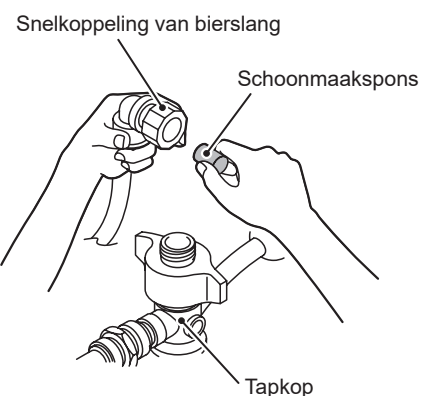
- 5) Bevestig de biertap op het apparaat door de wartelmoer linksom te draaien.
- 6) Verwijder de bijgeleverde lekbak en het rooster. Zie "3. LEKBAK EN ROOSTER (DAGELIJKS)".
- 7) Zet een emmer onder de biertap om het reinigingswater op te vangen.
- 8) Draai de tapkop linksom om hem van het vat te verwijderen.



- 9) Verwijder de snelkoppeling van de bierslang uit de tapkop en plaats slechts één schoonmaakspons (accessoire) in de koppeling.

LET OP

Het gebruik van meer dan een schoonmaakspons of een spons die niet als accessoire is bijgeleverd kan tot verstopping van het biercircuit leiden. Neem in dat geval contact op met uw dealer/leverancier.

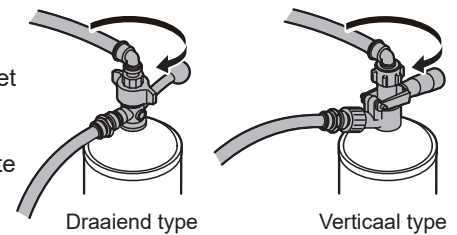


- 10) Bevestig de snelkoppeling van de bierslang aan de tapkop.
- 11) Was de reinigingstank grondig en vul deze met leidingwater.

Opmerking: Als de reinigingstank niet schoon is, wordt het biercircuit verontreinigd.

12) Draai de tapkop rechtsom en verbind hem met de reinigingstank.

Opmerking: Was de koppeling tussen de tapkop en de reinigingstank als deze niet schoon is.



13) Open de hoofdkraan van de CO2-gascilinder door deze enkele keren linksom te draaien.

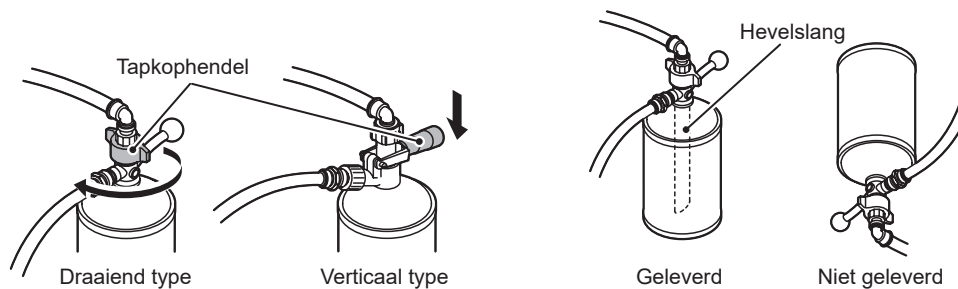
14) Draai de regelknop van de regelaar om de druk op '0,15' (MPa) te zetten.

15) Open het biercircuit.

Draaiend type: draai de tapkophendel rechtsom totdat hij stopt.

Verticaal type: duw de tapkophendel omlaag totdat deze vastklikt.

Opmerking: als de reinigingstank een hevelslang bevat, plaats de reinigingstank dan met de ringfitting naar boven. Is dit niet het geval, plaats de reinigingstank dan met de ringfitting naar onder.



16) Wacht totdat de schoonmaakspons en het water uit het vloeistofmondstuk komen.

17) Draai de regelknop van de regelaar om de druk op '0' (MPa) in te stellen.

18) Sluit de hoofdkraan van de CO2-gascilinder door deze rechtsom te draaien.

19) Wacht totdat er geen CO2-gas meer uit het mondstuk komt.

20) Sluit het biercircuit.

Draaiend type: draai de tapkophendel linksom totdat hij stopt.

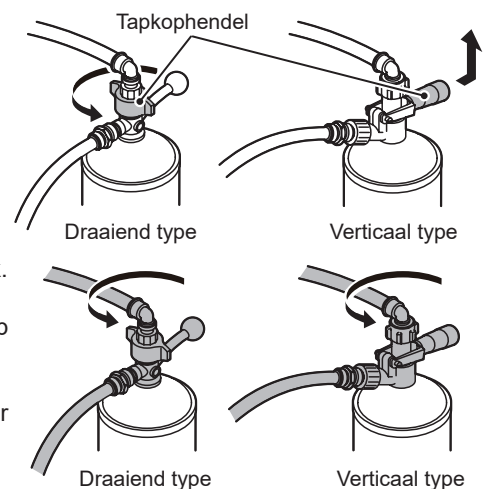
Verticaal type: ontgrendel de tapkophendel en duw hem helemaal omhoog.

21) Draai de tapkop linksom om hem van de reinigingstank te verwijderen.

22) Was en droog de schoonmaakspons grondig en bewaar hem voor later gebruik.

23) Herhaal bovenstaande stappen 9) t/m 22) totdat er helder water uit de biertap komt.

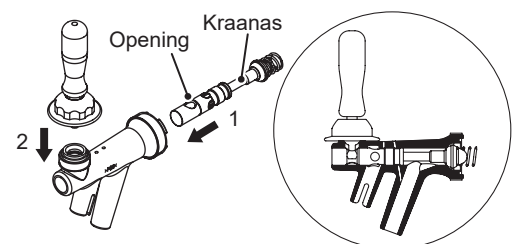
Opmerking: vang het water op in een pul of glas om te controleren of het helder is. Herhaal dit enkele keren tot het water helder is.



24) Draai de wartelmoer rechtsom om de biertap te verwijderen.

25) Maak de dopmoer los om de biertap uit elkaar te halen. Bevestig de kraanas in de oorspronkelijke (normale) richting terwijl u de openingen in de biertap en de kraanas op elkaar afstemt (de grote opening naar boven gericht). Draai de dopmoer vast.

Opmerking: Zorg dat u de biertap goed in elkaar zet, omdat het bier anders niet correct kan worden getapt.



26) Bevestig de biertap op het apparaat door de wartelmoer linksom te draaien.

27) Was de binnenkant van de reinigingstank grondig, draai deze ondersteboven om te drogen en maak de kap stevig vast voor opslag.

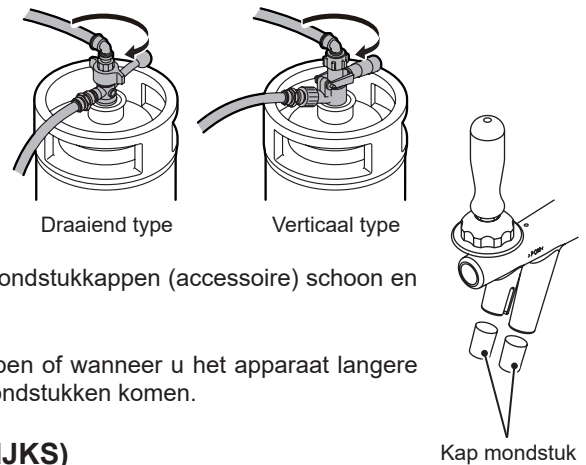
NEDERLANDS

28) Houd de onderkant van de bedieningspaneel eenheid vast en trek de hendel aan de voorzijde naar u toe om te ontgrendelen. Trek om de biertaphendel af te dekken de bedieningspaneel eenheid volledig omlaag.

Opmerking: trek om een defect te voorkomen de bedieningspaneel eenheid niet omlaag terwijl de biertap is verwijderd.

29) Draai de tapkop rechtsoom om hem aan het biervat te bevestigen.

Opmerking: was de koppeling tussen de tapkop en het biervat als deze niet schoon is.



30) Veeg vocht van de uiteindes van de biertapmondstukken. Maak de mondstukkappen (accessoire) schoon en bevestig deze.

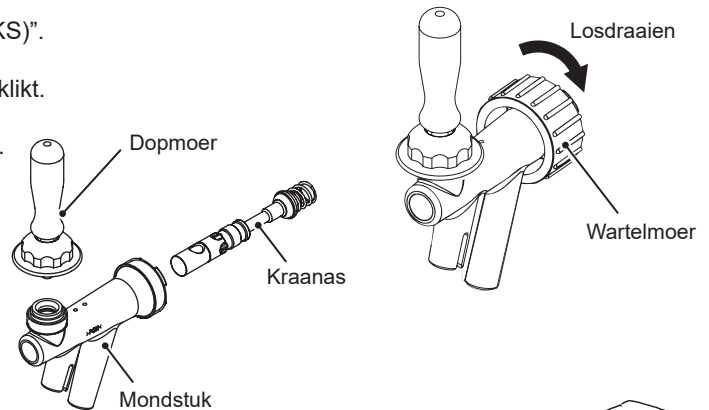
Opmerking: bevestig de mondstukkappen aan het einde van het tappen of wanneer u het apparaat langere tijd niet gebruikt, om te voorkomen dat insecten of vuil in de biertapmondstukken komen.

6. BIERTAP UIT ELKAAR HALEN EN REINIGEN (WEKELIJKS)

1) Volg de stappen 1) t/m 7) van "2. BIERCIRCUIT (DAGELIJKS)".

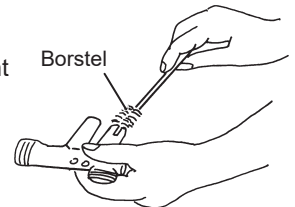
2) Til de bedieningspaneel eenheid langzaam op totdat hij vastklikt.

3) Draai de wartelmoer rechtsoom om de biertap te verwijderen.

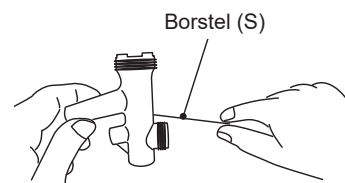


4) Maak de dopmoer los om de biertap uit elkaar te halen.

5) Gebruik een neutraal afwasmiddel en de bijgeleverde borstel voor het reinigen van de binnenkant van de biertap en de kraanas.



6) Gebruik de meegeleverde borstel (S) om de twee kleine openingen in de biertap te reinigen.

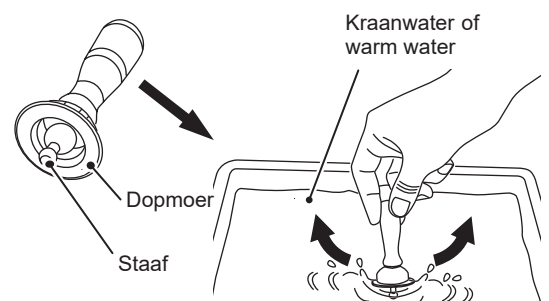


7) Week de staaf en binnenkant van de dopmoer in kraanwater of warm water en schud ze om eventueel vuil te verwijderen.

8) Spoel de onderdelen grondig af met leidingwater.

9) Bevestig de kraanas in de oorspronkelijke (normale) richting terwijl u de openingen in de biertap en de kraanas op elkaar afstemt (de grote opening naar boven gericht). Draai de dopmoer vast.

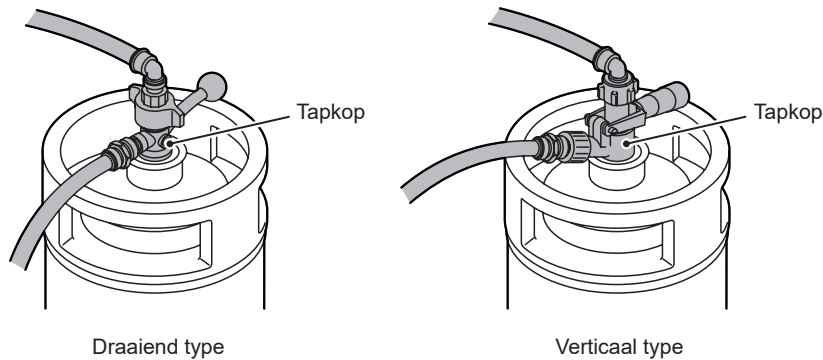
Opmerking: Zorg dat u de biertap goed in elkaar zet, omdat het bier anders niet correct kan worden getapt.



10) Houd de onderkant van de bedieningspaneel eenheid vast en trek de hendel aan de voorzijde naar u toe om te ontgrendelen. Trek om de biertaphendel af te dekken de bedieningspaneel eenheid volledig omlaag.

7. TAPKOP (WEKELIJKS)

Volg de instructies van het bierbedrijf voor het reinigen van de tapkop.



8. BUITENKANT (WEKELIJKS)

De buitenkant raakt gemakkelijk vervuild. Houd deze altijd schoon.

LET OP

Gebruik om schade te voorkomen op de plastic buitenkant geen ander reinigingsmiddel dan een neutraal reinigingsmiddel.

- 1) Veeg af met een doek met warm water en een neutraal schoonmaakmiddel.
- 2) Gebruik een vochtige doek om resterend schoonmaakmiddel weg te vegen.

9. LUCHTFILTER (ELKE TWEE WEKEN)

LET OP

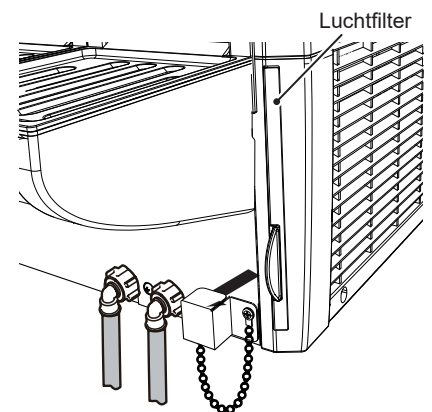
Houd de luchtfilter schoon om correcte werking te garanderen.

Gebruik het apparaat niet na het verwijderen van de luchtfilter. Stof kan het apparaat binnendringen, waardoor het stuk kan gaan.

BELANGRIJK

Het luchtfilter moet worden schoongemaakt zoals vereist door de installatieomstandigheden.

- 1) Trek het luchtfilter uit het apparaat.
- 2) Was het luchtfilter met koud of warm water en een neutraal reinigingsmiddel.
Opmerking: wees voorzichtig en beschadig het gaas niet.
- 3) Laat het luchtfilter goed drogen in de schaduw.
- 4) Plaats het luchtfilter terug.



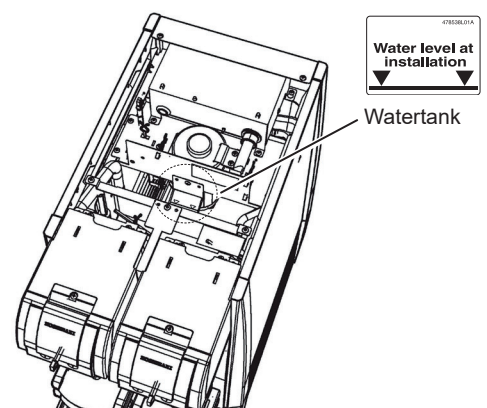
IV. INSPECTIE

1. KOELWATER EN ELEKTRODE (TWEEMAAL PER JAAR)

BELANGRIJK

Vervang tweemaal per jaar het koelwater en controleer of de elektrode schoon is.

- 1) Verwijder de stekker van het apparaat uit het stopcontact. De koeleenheid en de roerwerkmotor stoppen.
- 2) Verwijder de bovenkap.
- 3) Controleer of het waterniveau zich boven de waterniveaumarkering in de watertank bevindt.



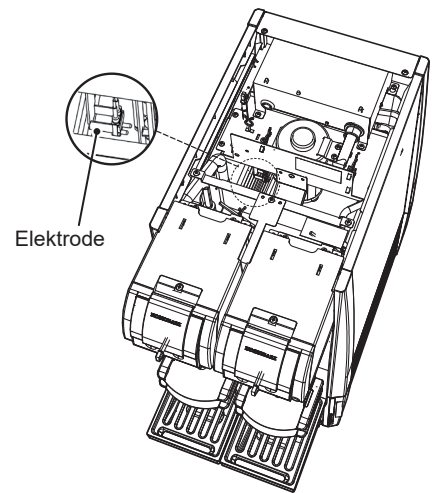
NEDERLANDS

4) Laat de watertank leeglopen. Zie "II. 9. [b] AFTAPPEN VAN DE WATERTANK".

5) Controleer of de elektrode schoon is.

LET OP

Als de elektrode bruin of zwart is geworden of niet schoon is, neem dan contact op met uw dealer/leverancier.



6) Vul de watertank. Zie "II. 2. WATERTANK VULLEN".

7) Sluit het apparaat aan. De koeleenheid en de roerwerkmotor starten.

BELANGRIJK

Vanaf het opstarten duurt het acht tot dertien uur om ijsopslag in de watertank te voltooien. Getapt bier is mogelijk niet koud genoeg totdat de ijsproductie is voltooid.

2. GASLANG EN BIERSLANG (MAANDELIJKS)

Controleer de gas- en bierslangen op schade, vervorming en tekenen van waterlekken (vlekken). Neem contact op met uw dealer/leverancier als u een probleem ontdekt.

3. STEKKER EN NETSNOER (EEN-/TWEEMAAL PER JAAR)

⚠ WAARSCHUWING

Controleer regelmatig of de pinnen van de stekker en de oppervlakken eromheen stofvrij zijn en dat de stekker stevig in het stopcontact is bevestigd. Stoffige pinnen of een losse aansluiting kunnen een elektrische schok of brand veroorzaken.

Beschadig het netsnoer niet. Zorg dat er geen aanpassingen aan het snoer worden aangebracht en dat het niet wordt samengebundeld, geplet of beklemd, en dat er niet aan wordt getrokken. Hierdoor kan een elektrische schok of brand ontstaan.

Gebruik een afzonderlijke stroomvoorziening voor het apparaat. Aftakking van het netsnoer, gebruik van een verlengsnoer of het delen van een stroomvoorziening met andere apparaten kan leiden tot een elektrische schok, oververhitting of brand.

Controleer of:

- * De pinnen van de stekker, de oppervlakken eromheen en het stopcontact zijn stofvrij. Reinig deze indien nodig.
- * De stekker en het netsnoer zijn niet beschadigd, geplet of beklemd.
- * De stekker is in een afzonderlijk stopcontact gestoken.

V. OVERIGE INFORMATIE

1. DE TAP VOORBEREIDEN OP LANGDURIGE OPSLAG

⚠ WAARSCHUWING

Als u de tap langer dan een week uitzet, haal de stekker dan uit het stopcontact.

1) Laat de watertank leeglopen volgens "II. 9. [b] AFTAPPEN VAN DE WATERTANK".

2) Voer de volgende onderhoudsprocedures uit om het biercircuit te reinigen en af te tappen en het apparaat schoon te houden:

- III. 5. BIERCIRCUIT REINIGEN MET EEN SPONS (WEKELIJKS)
6. BIERTAP UIT ELKAAR HALEN EN REINIGEN (WEKELIJKS)
7. TAPKOP (WEKELIJKS)
8. BUITENKANT (WEKELIJKS)
9. LUCHTFILTER (ELKE TWEE WEKEN)

3) Volg bij het opnieuw starten van het apparaat de onderstaande procedures:

- II. 1. BIERCIRCUIT REINIGEN
2. WATERTANK VULLEN
3. CONTROLES VOOR GEBRUIK (DAGELIJKS)
4. OPSTARTEN
5. VLOEISTOF- EN SCHUIMHOEVEELHEID INSTELLEN
6. TAPPEN
7. UITVERKOCHTSENSOR
8. EINDE VAN HET TAPPEN

2. VOORDAT U BELT VOOR SERVICE

Als de tap niet naar behoren werkt, controleer dan de volgende tabel voordat u belt voor service. Als het probleem nog steeds aanwezig is, schakel dan de aan/uit-schakelaar uit (aardlekschakelaar) en neem contact op met uw dealer/leverancier. Probeer het apparaat niet zelf te repareren. Alleen gekwalificeerd personeel mag het apparaat repareren.

Probleem	Mogelijke oorzaak	Oplossing
Het apparaat start niet.	Het apparaat is niet aangesloten.	Sluit het aan.
	De stop is doorgeslagen.	Neem contact op met uw dealer/leverancier.
	Stroomstoring.	Wacht tot de stroomvoorziening wordt hervat.
Het bier is niet koud.	Er zit geen ijs in de watertank.	Wacht tot er ijs is geproduceerd.
	Minder dan 8 tot 13 uur nadat de aan/uit-schakelaar (aardlekschakelaar) is aangezet.	De productie van ijs duurt 8 tot 13 uur afhankelijk van de omgevings- en watertemperatuur. Wacht 8 tot 13 uur voordat u bier tapt.
	De omgevingstemperatuur is hoger dan 30 °C.	Ventileer met een ventilator om de omgevingstemperatuur te verlagen.
	Er zit geen koelwater in de watertank.	Vul de watertank. Zie "II. 2. WATERTANK VULLEN".
	De luchtinlaat of -uitlaat is geblokkeerd of niet schoon.	Maak deze schoon of verwijder de blokkering. Zie "III. 9. LUCHTFILTER (ELKE TWEE WEKEN)".
Er wordt geen bier getapt.	Het biervat is leeg.	Vervang het door een nieuw vat. Zie "II. 3. [d] BIERVAT VERVANGEN".
	De CO2-gascilinder is leeg.	Vervang hem door een nieuwe cilinder. Zie "II. 3. [b] VERVANGING VAN CO2-GASCILINDER".
	De hoofdkraan van de CO2-gascilinder is gesloten.	Draai open.
	De regelaar staat op "0".	Stel de regelaar af op een geschikte druk. Zie "II. 3. [b] VERVANGING VAN CO2-GASCILINDER".
	De tapkop is niet correct aan het vat bevestigd.	Controleer en corrigeer. Zie "II. 3. [d] BIERVAT VERVANGEN".
	De tapkophendel is gesloten.	Open het biercircuit. Zie "II. 3. [d] BIERVAT VERVANGEN".
	Bier verstopt de biertap en de hendel kan niet vloeiend bewegen.	Haal de biertap uit elkaar en reinig hem. Zie "III. 6. BIERTAP UIT ELKAAR HALEN EN REINIGEN (WEKELIJKS)".
Abnormaal geluid.	Geluid van de werking van de koeleenheid of ventilatormotor van de condensor.	Geen probleem.
	De basis is niet stevig.	Neem contact op met uw dealer/leverancier.
	De basis is niet horizontaal.	Neem contact op met uw dealer/leverancier.
	Er is iets dat het apparaat raakt.	Houd het weg van het apparaat.

NEDERLANDS

Te veel schuim.	Het biervat is net geschud of verplaatst.	Wacht tot het bier in het vat tot rust komt.
	Het biervat is bijna leeg.	Vervang het door een nieuw vat. Zie "II. 3. [d] BIERVAT VERVANGEN".
	De CO2-gascilinder is opengebleven na het tappen.	Sluit de cilinder elke dag na het tappen. Zie "II. 8. EINDE VAN HET TAPPEN".
	De regelaar is niet op de juiste druk afgesteld.	Stel de regelaar af op een geschikte druk. Zie "II. 3. [b] VERVANGING VAN CO2-GASCILINDER".
	De pul of het glas is niet schoon.	Reinig.
	De temperatuur van de pul of het glas is te hoog.	Volg de instructies van het bierbedrijf.
	De biertap of het biercircuit is niet schoon.	Reinig Zie "III. 2. BIERCIRCUIT (DAGELIJKS)".
	Er zit geen ijs in de watertank.	Wacht tot er ijs is geproduceerd.
	De gasslang is achterstevoren aangesloten.	Sluit opnieuw aan.
Overmatig schuim stroomt over.	De grootte van de pul of het gebruikte platform verschilt van de ingestelde grootte.	Zet een pul van dezelfde grootte op hetzelfde platform dat werd gebruikt op het moment van instellen.
Te veel of te weinig vloeistof of schuim.	De regelknop van de regelaar is gedraaid na afstelling van de hoeveelheid vloeistof.	Stel de CO2-gasdruk en de hoeveelheden vloeistof en schuim opnieuw af.
Het uitverkochtlampje licht op terwijl het vat niet leeg is.	De CO2-gasdruk is niet juist afgesteld.	Stel de CO2-gasdruk en de hoeveelheden vloeistof en schuim opnieuw af.
	Er zit schuim in de slang.	Zie 'Te veel schuim' hierboven.

3. AFVOEREN

Neem de lokale wetgeving voor het afvoeren van dit apparaat en het koelgas in acht.

Dit product op de juiste manier afvoeren:

Deze markering geeft aan dat dit product nergens in de Europese Unie met ander huishoudelijk afval mag worden afgevoerd. Om mogelijke schade aan het milieu of de menselijke gezondheid door ongecontroleerde afvalverwijdering te voorkomen, moet u het apparaat op een verantwoorde manier recyclen, zodat het duurzame hergebruik van materiaalbronnen wordt bevorderd. Gebruik voor het retourneren van uw gebruikte apparaat de plaatselijke inlever- en inzamelsystemen of neem contact op met de winkelier waar het product werd gekocht. Zij kunnen dit product op een milieuverantwoorde wijze recyclen.



4. GARANTIE

Hoshizaki garandeert de oorspronkelijke eigenaar/gebruiker dat alle producten met het Hoshizaki-merk vrij zullen zijn van gebreken in materiaal en constructie tijdens de "garantieperiode". De garantie is één jaar geldig vanaf de installatiedatum. De verplichting van Hoshizaki onder deze garantie is beperkt en bevat niet routineonderhoud, reiniging, noodzakelijk onderhoud en/of reparaties die het gevolg zijn van onjuist gebruik en installaties die niet in overeenstemming zijn met de richtlijnen van Hoshizaki.

Reparaties onder de garantie moeten worden uitgevoerd door een goedgekeurde Hoshizaki-verkoper of een servicebureau dat originele Hoshizaki-onderdelen gebruikt.

Neem voor details over uw garantie en goedgekeurde servicebureaus contact op met uw verkoper/leverancier of het dichtstbijzijnde Hoshizaki-servicebedrijf:

Hoshizaki UK - VK, Ierland
TEL: +44 845 456 0585
FAX: +44 132 283 8331
uksales@hoshizaki.uk

Hoshizaki Middle East - Midden-Oosten
TEL: +971 48 876 612
FAX: +971 48 876 613
sales@hoshizaki.ae

Hoshizaki Deutschland - Duitsland, Zwitserland, Oostenrijk,
Polen, Tsjechië, Slowakije
TEL: +49 5121 697370
FAX: +49 5121 6973719
vertrieb@hoshizaki.de

Hoshizaki Benelux - Nederland, België, Luxemburg
TEL: +31 85 018 83 70
info@hoshizaki.nl

Hoshizaki France - Frankrijk
TEL: +33 1 48 63 93 80
FAX: +33 1 48 63 93 88
info@hoshizaki.fr

Hoshizaki Italia - Italië
TEL: +39 344 0616467
TEL: +39 348 3022156
info@hoshizaki.it

Hoshizaki Iberia - Spanje, Portugal
TEL: +34 93 478 09 52
FAX: +34 93 478 08 00
info@hoshizaki.es

Hoshizaki Europe B.V. - alle overige landen binnen Europa en
Afrika
TEL: +31 20 6918499
FAX: +31 20 6918768
sales@hoshizaki.nl

SPECIFICATIES

Model	DBF-AS65WE-EU-HC
Stroomvoorziening	1 fase 220 - 240 V, 50 Hz
Tapcapaciteit	65 l (30 °C tot 8 °C / 4 uur)
IJsproductietijd	11 uur (aanvankelijke koelwatertemperatuur 25°C)
IJsopslagcapaciteit	12 l
Afmetingen	367 mm (B) x 674 mm (D) x 764 mm (H)
Koelmiddel	R600a, 80 g
Blaasmiddel isolatieschuim	HFO-1233zd(E)
Gewicht	Netto: 50 kg (bruto: 77 kg)
Omgevingstemperatuur	5 - 32 °C

INFORMACIÓN DE SEGURIDAD IMPORTANTE

A lo largo de este manual aparecerán avisos para llamar su atención sobre situaciones que podrían tener como consecuencia la muerte, heridas graves o daños en la unidad.

▲ADVERTENCIA	Indica una situación peligrosa que, de no evitarse, podría provocar la muerte o heridas graves.
▲ATENCIÓN	Indica una situación peligrosa que, de no evitarse, podría provocar lesiones leves o moderadas.
AVISO	Indica una situación peligrosa que, de no evitarse, podría provocar daños en la unidad.
▲HIGIENE	Indica precauciones importantes para la higiene y la seguridad alimentaria.
IMPORTANTE	Indica información importante acerca del uso y el cuidado de la unidad.

Este dispensador automático de cerveza de barril utiliza refrigerante (isobutano) sin HFC y materiales aislantes de espuma sin HFC, lo que significa que no contribuye de modo negativo a la reducción de la capa de ozono ni potencia el calentamiento global.

▲ADVERTENCIA
Este dispensador automático de cerveza de barril contiene refrigerante inflamable en la unidad de refrigeración; solamente técnicos autorizados deben encargarse de su instalación, manipulación, mantenimiento y eliminación.
El refrigerante que contiene este dispensador automático de cerveza de barril es inflamable y se halla aislado de modo estanco en el sistema de refrigeración. A pesar de que el riesgo de fugas de refrigerante durante el uso normal sea mínimo, extreme las precauciones al manipular el dispensador automático de cerveza de barril para evitar causar daños al sistema.
En caso de daños accidentales en el sistema de refrigeración que provoquen una fuga de refrigerante: * No cree una fuente de ignición en la zona. * No utilice interruptores eléctricos o enchufes en la zona. * No utilice una llama descubierta. * Ventile el área de forma inmediata abriendo puertas y/o ventanas. * Llame al ingeniero del servicio técnico.

IMPORTANTE
Este folleto es una parte integral y esencial del producto y el usuario debe guardarlo en buenas condiciones.
Lea atentamente las indicaciones y advertencias contenidas en este folleto, cuyo objetivo es ofrecer al instalador/usuario la información esencial para la instalación correcta, el uso seguro y el mantenimiento del producto.
Por favor, guarde este folleto para cualquier futura consulta que sea necesaria.

▲ADVERTENCIA

Este dispensador automático de cerveza de barril comercial solo debe utilizarse para los fines para los que ha sido expresamente diseñado.

Cualquier otra utilización deberá considerarse inadecuada y, por lo tanto, potencialmente peligrosa. El fabricante no será responsable de ningún daño causado por un uso incorrecto, inadecuado o irrazonable.

La instalación y, si fuera necesario, la reubicación, debe realizarla únicamente personal cualificado, de acuerdo con la normativa vigente y siguiendo las instrucciones del fabricante.

Mantenga los orificios de ventilación, tanto de la carcasa de la máquina como de la estructura integrada, libres de cualquier obstrucción.

No dañe el circuito de refrigeración.

Las operaciones de mantenimiento deben ser realizadas por personal cualificado. El acceso a la zona de servicio está limitado a las personas que están familiarizadas con el uso práctico del aparato, y más en concreto en lo que se refiere a la seguridad e higiene.

El uso de cualquier aparato eléctrico requiere tener presentes algunas normas fundamentales. En particular:

- * Un alto grado de humedad aumenta el riesgo potencial de cortocircuitos y de descargas eléctricas. En caso de duda, desconecte el dispensador.
- * No dañe el cable de alimentación eléctrica ni tire de él para desconectar el dispensador de la red eléctrica.
- * Si fuera necesario sustituir el cable de alimentación y/o el enchufe, dicha operación debe realizarla únicamente un técnico de mantenimiento cualificado.
- * No toque las partes eléctricas ni manipule los interruptores con las manos húmedas.
- * Este aparato no está diseñado para ser utilizado por personas (incluidos niños) con capacidades físicas, sensoriales o mentales reducidas, o sin experiencia y conocimientos; no obstante, puede ser utilizado por niños de a partir de 8 años y por personas con las minusvalías antes especificadas siempre que se encuentren bajo la supervisión de una persona responsable de su seguridad.
- * Los niños no deben jugar con el aparato.
- * Los niños no deben realizar la limpieza ni el mantenimiento de usuario sin supervisión.
- * No intente modificar el dispensador. El desmontaje o la reparación del aparato solo debe realizarlo personal cualificado.

Al colocar el aparato, compruebe que el cable de alimentación no quede atrapado ni esté dañado.

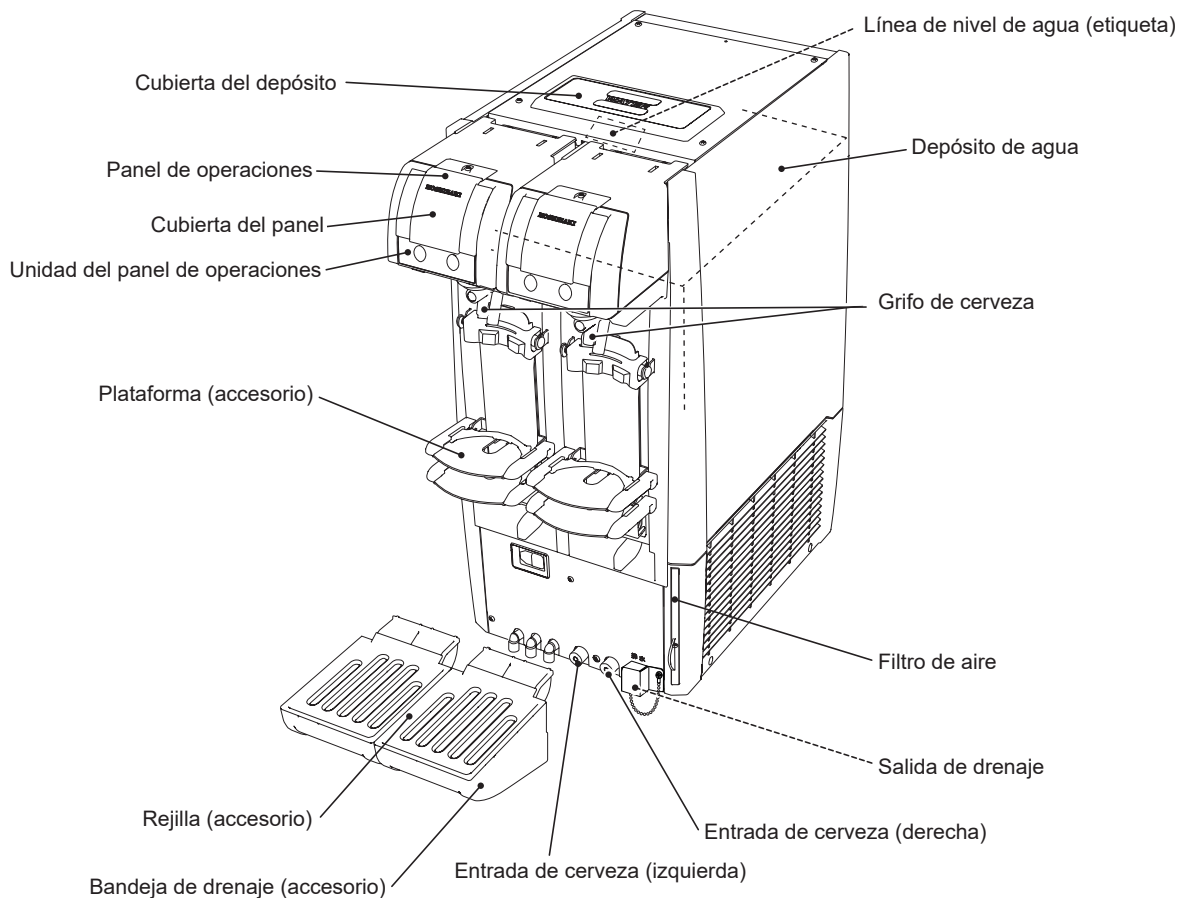
No coloque múltiples tomas de corriente portátiles o fuentes de alimentación portátiles en la parte posterior del aparato.



El significado de este símbolo ISO 7010 W021 es:
Advertencia: Riesgo de incendio

I. INSTRUCCIONES DE INSTALACIÓN

1. ESTRUCTURA



Indicador de configuración

Se ilumina cuando el dispensador está en el modo de configuración.

Indicador de aclarado

Se ilumina cuando la unidad está en el modo de aclarado.

Botón de configuración

[Púselo una vez]

Cambia entre el modo de configuración y el modo preparado (el indicador de dispensación parpadea rápidamente).

[Manténgalo pulsado]

Se utiliza para realizar ajustes de usuario ("U__" en la pantalla).

Botón de aclarado

Alternar entre el Modo Preparado y el Modo de aclarado.

Botón de dispensación

(Indicador de dispensación)

Se ilumina cuando el dispensador está en el Modo Preparado.

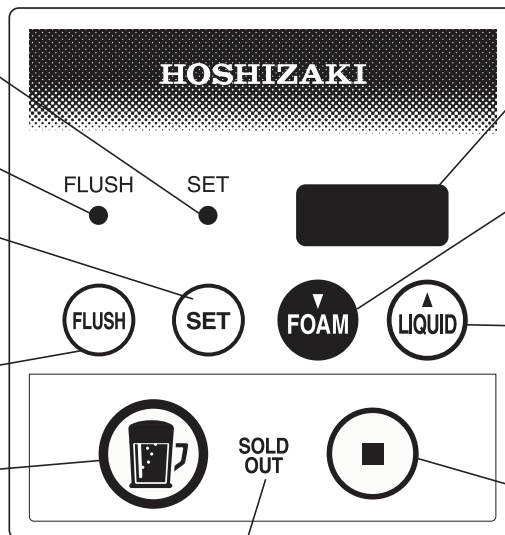
[Púselo una vez]

Dispensa automáticamente la cantidad preestablecida de cerveza.

[Manténgalo pulsado]

De esta forma se consigue que la configuración de dispensación automática esté disponible desde el modo de configuración.

Panel de operaciones



Pantalla

Indica el número de jarras, etc.

Botón de espuma

[En el modo preparado]

Manténgalo pulsado para dispensar espuma.

[En el modo de aclarado]

Presione una vez para dispensar espuma. Vuelva a pulsarlo para parar de dispensar.

Botón de líquido

[En el modo preparado]

Púselo y manténgalo pulsado para dispensar líquido.

[En el modo de aclarado]

Púselo una vez para dispensar líquido. Vuelva a pulsarlo para parar de dispensar.

Botón de parada

[Púselo una vez]

Cierra manualmente el grifo de cerveza o el funcionamiento de la plataforma.

[Manténgalo pulsado]

Restablece la indicación de la pantalla (por ejemplo, número de jarras).

Indicador de cerveza agotada

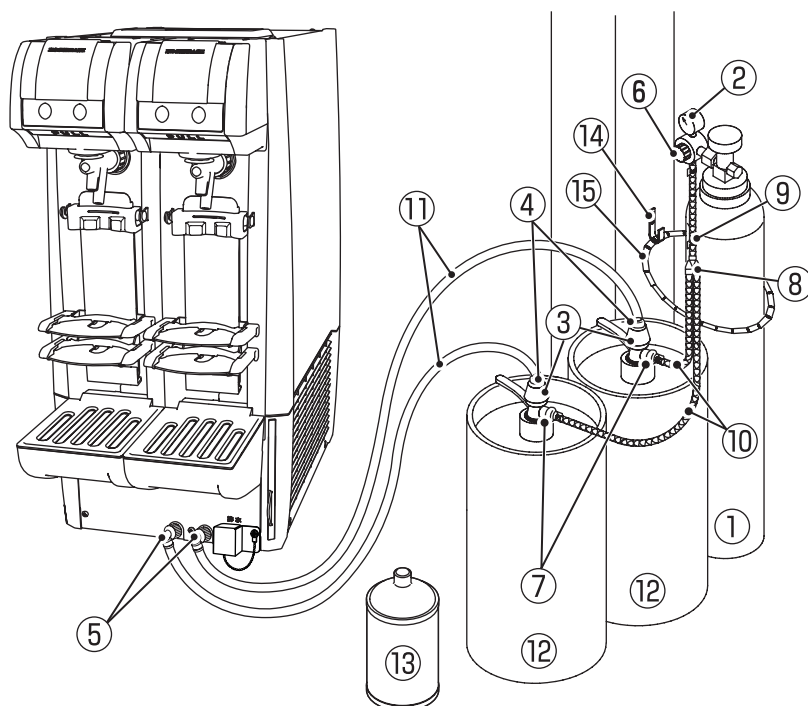
Se ilumina cuando el barril se vacía.

AVISO

Abra la cubierta del panel para acceder a los botones y a los indicadores que no sean el botón de dispensación (indicador de dispensación), el indicador de cerveza agotada o el botón de parada.

Para evitar daños en la cubierta del panel, no la abra por la fuerza.

Prepare e instale el siguiente equipo. Póngase en contacto con la licorería, la empresa cervecera o el distribuidor para preparar el regulador, el acoplador del barril y la botella de CO2 diseñados para dispensar la cerveza.



- [1] Botella de CO2
- [2] Regulador
- [3] Acoplador del barril
- [4] Unión rápida del tubo de cerveza (parte del cabezal)
- [5] Unión rápida del tubo de cerveza (parte del dispensador)
- [6] Unión rápida del tubo de gas (parte del regulador)
- [7] Unión rápida del tubo de gas (parte del cabezal)
- [8] Racor en Y
- [9] Tubo de gas (corto)
- [10] Tubo de gas (largo)
- [11] Tubo de cerveza
- [12] Barril de cerveza
- [13] Depósito de limpieza
- [14] Gancho (accesorio)
- [15] Cadena de la botella (accesorio)

2. ACCESORIOS

Manual de instrucciones	1
Hoja de instrucciones	1
Bandeja de drenaje	2
Tapón de la boquilla	8
Cepillo	1
Cepillo (S)	1
Esponja de limpieza	6
Etiqueta de instrucciones	1
Instrucciones de montaje de la plataforma	1
Llave fija	1
Gancho	1
Tornillo de montaje del gancho	2
Cadena de la botella	1
Junta tórica (L) P21	1
Rejilla	2
Plataforma	2



3. DESEMBALAJE

⚠ ADVERTENCIA

No deje al alcance de los niños el material de embalaje (bolsas de plástico y poliestireno expandido), ya que son fuentes potenciales de peligro.

⚠ ATENCIÓN

No levante ni manipule el cartón usando las cintas de embalaje.

Si va a desplazar la unidad manualmente, sujétela por su parte inferior.

No levante la unidad sujetándola por el grifo. El grifo podría resultar dañado o la unidad podría caerse y causar lesiones.

Utilice siempre guantes protectores cuando transporte la unidad.

Cuando vaya a manipular el cartón o la unidad desembalada, hágalo con la ayuda de otra persona para evitar lesiones.

AVISO

Retire el cartón, la(s) cinta(s) y el embalaje de expedición. El dispensador no funcionará correctamente si no se retira el material de embalaje.

Para evitar daños, no incline el dispensador más de 45°.

- 1) Una vez que haya retirado el material de embalaje, asegúrese de que el dispensador esté en buen estado. En caso de duda, no use el dispensador y consulte a profesionales cualificados.
- 2) Retire el plástico protector del exterior. Si el dispensador está expuesto al sol o al calor, retire la película una vez se haya enfriado.
- 3) Retire el embalaje de los accesorios. Verifique el contenido de acuerdo con "2. ACCESORIOS".

4. UBICACIÓN

⚠ADVERTENCIA

Este dispensador no está diseñado para usarlo al aire libre.

El dispensador no debe colocarse cerca de hornos, parrillas u otras fuentes de calor.

Este aparato no debe instalarse en zonas donde pueda utilizarse agua a presión.

⚠ATENCIÓN

El dispensador debe colocarse sobre una base firme y nivelada.

AVISO

No coloque objetos que puedan obstruir las rejillas de ventilación.

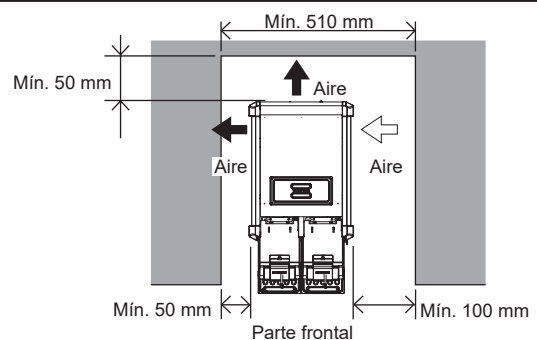
IMPORTANTE

La temperatura ambiente operativa normal debe ser de entre 5 °C y 32 °C, la del agua de refrigeración no puede ser superior a los 25 °C, y la del barril de cerveza de entre 10 °C y 30 °C. La utilización del dispensador durante periodos prolongados y fuera de estos rangos de temperatura normales puede afectar a su capacidad de producción.

Deje un espacio adicional de 10 mm en el lugar de instalación para satisfacer cualquier requisito de instalación (también se requiere un espacio adicional para permitir un flujo de aire apropiado y conexiones de tuberías).

Mantenga el dispensador alejado de la luz solar directa.

Deje la separación indicada a continuación para permitir la circulación de aire y facilitar las eventuales operaciones de reparación o mantenimiento.



Es posible que en algunos entornos con un nivel alto de humedad se forme condensación en el interior de la máquina y gotee en el suelo. No la instale en suelos sensibles al agua.

Evite la exposición prolongada del equipo a la luz solar directa.

5. INSTALACIÓN

⚠ATENCIÓN

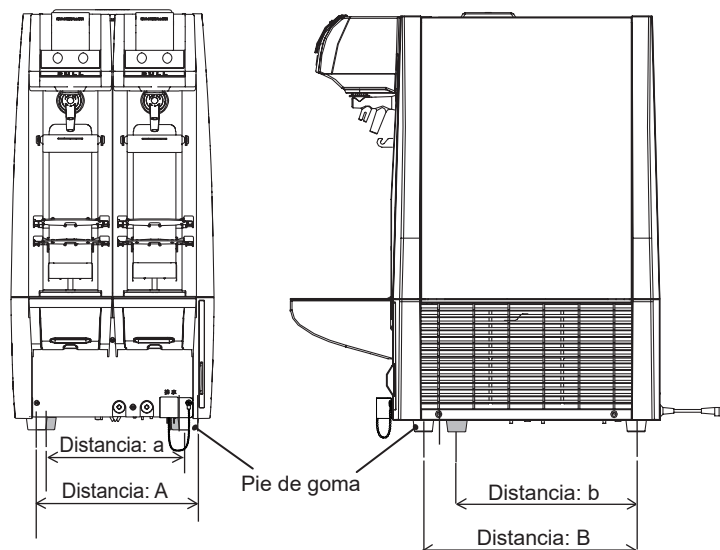
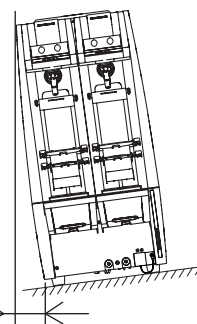
El fabricante no se hace responsable de los daños a personas, animales u otros elementos provocados por una instalación incorrecta.

[a] DISPENSADOR

Las patas de goma delanteras pueden moverse hacia atrás desde su posición original. Si las patas no caben dentro del espacio de instalación en la encimera o la mesa, utilice un destornillador para retirar las patas delanteras de la parte inferior y vuelva a colocarlas en las siguientes posiciones.

Ajuste de fábrica	Distancia: A	274 mm
	Distancia: B	388 mm
Después del ajuste	Distancia: a	244 mm
	Distancia: b	328 mm

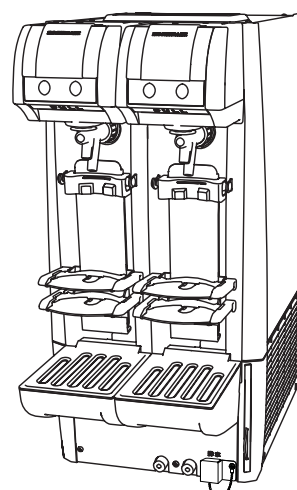
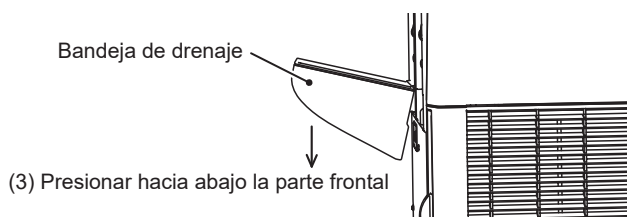
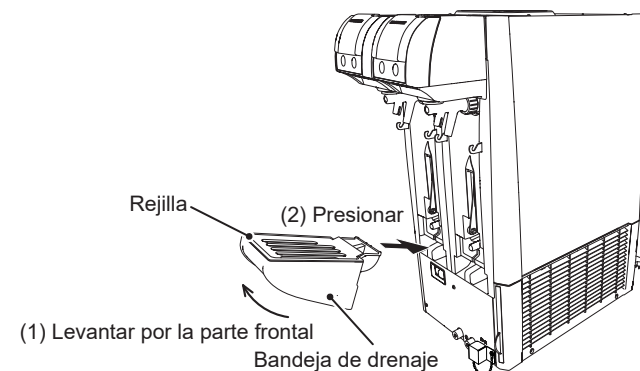
No se debe inclinar más de 1 cm



[b] BANDEJA DE DRENAJE

Para fijar la bandeja de drenaje (accesorio) y la rejilla (accesorio):

- (1) levante la parte frontal de la bandeja de drenaje,
- (2) empuje firmemente la bandeja de drenaje en el soporte de la bandeja de drenaje, y
- (3) presione hacia abajo la parte frontal de la bandeja de drenaje.

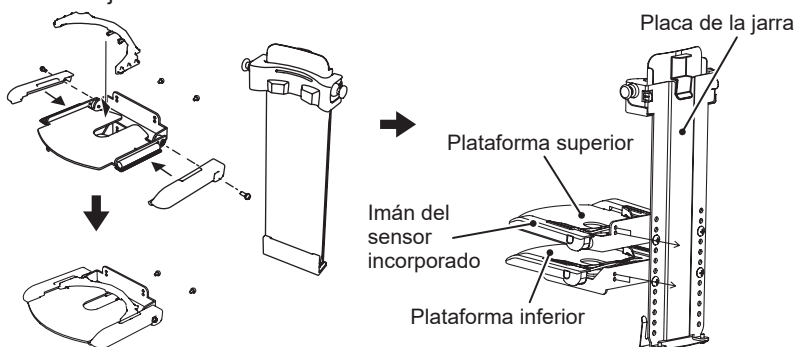


Después de la instalación de los accesorios

[c] AJUSTE DE LA PLATAFORMA

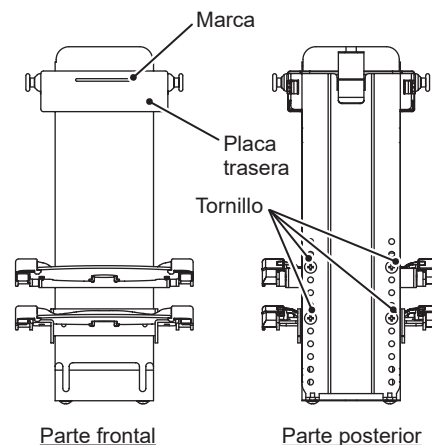
Las posiciones de la plataforma superior e inferior pueden ajustarse para adaptarse a dos alturas de jarra diferentes. La guía también se puede mover de un lado a otro según la forma de la jarra.

1) El conjunto de la plataforma dispone de los componentes que se indican a la derecha.

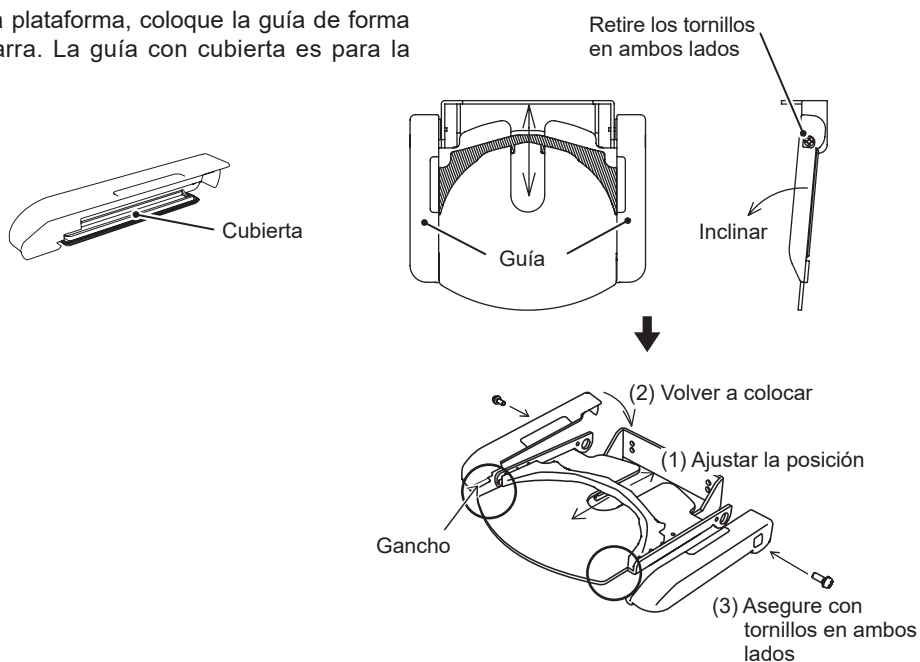


2) Mueva la plataforma en la posición deseada y fíjela con los tornillos.

La posición de la plataforma superior puede ajustarse entre los niveles 1.º y 7.º de la placa de la jarra, y la posición de la plataforma inferior entre los niveles 4.º y 12.º. La parte superior de la jarra debe coincidir con la marca de la placa posterior cuando se coloca en la plataforma. (Consulte la tabla de la página siguiente para conocer las alturas de las jarras y las posiciones de la plataforma).



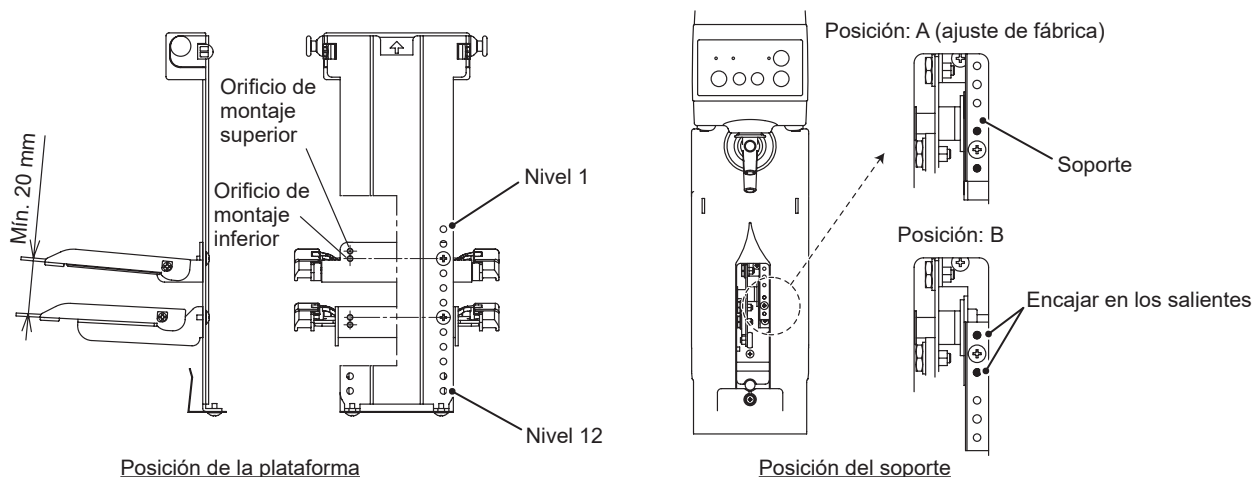
3) Después de ajustar las posiciones de la plataforma, coloque la guía que quede en la parte inferior de la jarra. La guía con cubierta es para la plataforma superior.



4) Vuelva a colocar las plataformas en la unidad.

AVISO

Al ajustar la posición de la plataforma superior, ajuste también la posición del soporte de acuerdo con la tabla de la página siguiente.



Nivel de la placa de la jarra	Plataforma superior			Plataforma inferior			
	Orificio de montaje	Altura de la jarra (mm)	Posición del soporte	Orificio de montaje	Altura de la jarra (mm)		
1	Inferior	135	A	No disponible			
	Superior	140					
2	Inferior	145					
	Superior	150					
3	Inferior	155					
	Superior	160					
4	Inferior	165		B	Inferior	155	
	Superior	170			Superior	160	
5	Inferior	175	Inferior		165		
	Superior	180	Superior		170		
6	Inferior	185	Inferior		175		
	Superior	190	Superior		180		
7	Inferior	195	Inferior		185		
	Superior	200	Superior		190		
8	No disponible				Inferior	195	
9					Superior	200	
					Inferior	205	
10					Superior	210	
				Inferior	215		
11				Superior	220		
				Inferior	225		
12				Superior	230		
				Inferior	235		
						Superior	240

Nota:
 1) Diámetro de la jarra: de diámetro interior de 50 mm a diámetro exterior y diámetro inferior de 105 mm
 2) La jarra más grande debe ser al menos 20 mm más alta que la jarra más pequeña.

6. CONEXIONES ELÉCTRICAS

⚠ADVERTENCIA

ESTE APARATO DEBE CONECTARSE A TIERRA

Este dispensador requiere una conexión a tierra que cumpla con la normativa eléctrica nacional y local.

Para evitar que los usuarios puedan recibir fuertes descargas eléctricas, o que la unidad pueda sufrir importantes averías, conecte un cable de puesta a tierra adecuado al dispensador.

Antes de realizar cualquier operación de mantenimiento, reparación o limpieza, desconecte la máquina de la corriente eléctrica.

⚠ATENCIÓN

La variación máxima de tensión permisible no deberá exceder $\pm 10\%$ de la tensión nominal. El funcionamiento de la unidad fuera de este rango puede causar humo, ignición, daños en la unidad o puede disminuir el rendimiento.

* Este equipo requiere una fuente de alimentación independiente. El suministro eléctrico debe protegerse con un disyuntor apropiado.

* Normalmente son necesarios un permiso eléctrico y los servicios de un electricista acreditado.

* Si se daña el cable de alimentación, deberá sustituirse por un cable de repuesto disponible en su distribuidor/proveedor.

7. CONEXIONES DEL CIRCUITO DE GAS Y CERVEZA

[a] BOTELLA DE CO2

⚠ADVERTENCIA

Utilice una botella de CO2 especialmente diseñada para su uso en barriles de cerveza. Si utiliza cualquier otra botella puede provocar explosiones o contaminación atmosférica.

Durante el transporte de la botella de CO2, mantenga la cubierta cerrada y evite cualquier impacto en la botella para evitar el riesgo de explosiones o escapes de gas.

Mantenga la botella de CO2 alejada de la luz solar directa o de temperaturas superiores a 40 °C para evitar el aumento excesivo de la temperatura y una posible explosión.

El regulador debe suministrarse con una junta sin daños para evitar el riesgo de escapes de gas. De lo contrario, póngase en contacto con la licorería, la empresa cervecera o el distribuidor para colocar una junta nueva.

Coloque de pie la botella de CO2 y fijela con la cadena accesoria para evitar que se vuelque y provocar lesiones o explosiones.

Mantenga el rostro alejado de la botella de CO2 cuando elimine la suciedad y el polvo de la unión del regulador. Si le entra polvo en los ojos puede sufrir problemas de visión.

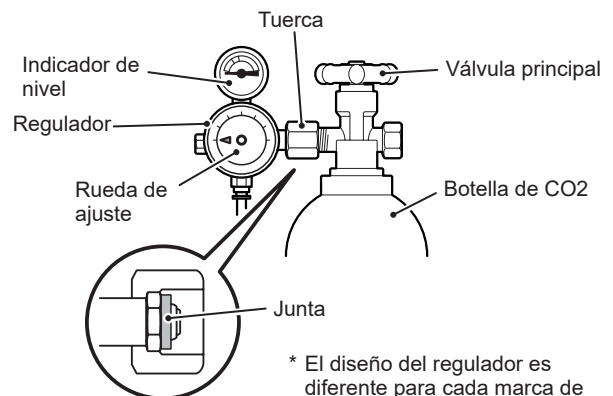
Manipule el regulador con cuidado para evitar cualquier impacto; de lo contrario, el funcionamiento podría no ser el adecuado y el barril de cerveza o el tubo podrían explotar.

Antes de abrir la válvula principal de la botella de CO2 o retirar el acoplador del barril de cerveza, ajuste el regulador a "0". De lo contrario, la aplicación repentina de presión de gas en el barril de cerveza puede provocar una explosión o el escape del acoplador del barril.

1) Abra la válvula principal de la nueva botella de CO2 durante un segundo para eliminar la suciedad y el polvo de la unión (junto con el CO2).

2) Compruebe la junta del regulador. Si la junta está dañada o no se ha colocado, instale una nueva. (Póngase en contacto con la licorería, la empresa cervecera o el distribuidor).

3) Coloque el regulador de forma segura en la botella de CO2.



AVISO

Apriete la tuerca primero con la mano y luego con la llave (accesorio) para que el indicador de nivel quede en posición vertical.

- Abra la válvula principal girándola hacia la izquierda y compruebe que no haya escapes de gas en la tuerca del regulador (sonido). Si hay un escape de gas, es posible que la tuerca esté floja o que la junta esté dañada o no se haya colocado.

Nota: Para comprobar si hay escapes de gas, coloque una esponja con jabón en la unión. Si hay escapes de gas, se formarán burbujas.

[b] CONEXIONES DEL TUBO

⚠ADVERTENCIA

Para evitar el riesgo de escapes de gas y que el tubo explote, no use tubos distintos a los especificadas por la empresa cervecera.

Corte el extremo del tubo para tener un plano vertical de corte e insértelo de manera segura en la unión rápida del tubo para garantizar una junta estanca.

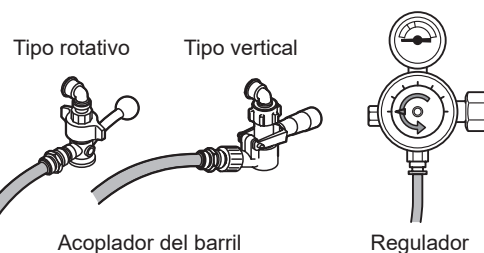
AVISO

No vuelva a conectar los tubos sin cortarlos unos 20 mm.

Corte los tubos con una herramienta especial, como un cortatubos. No utilice unas tijeras, ya que los tubos podrían romperse y causar escapes.

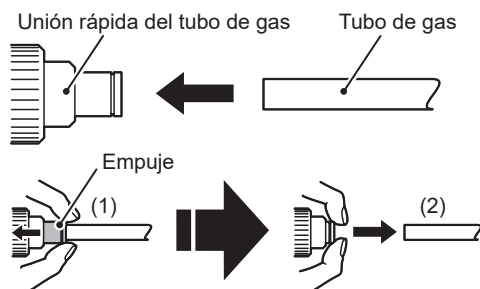
Tubo de CO2

- Corte el tubo de CO2 para tener un plano vertical de corte y una longitud de dicho tubo no superior a 1,4 m.
- Inserte el tubo de CO2 firmemente en la unión rápida del tubo de gas del acoplador del barril y del regulador. Tire del tubo fuertemente para comprobar el apriete.



Unión rápida del tubo de gas

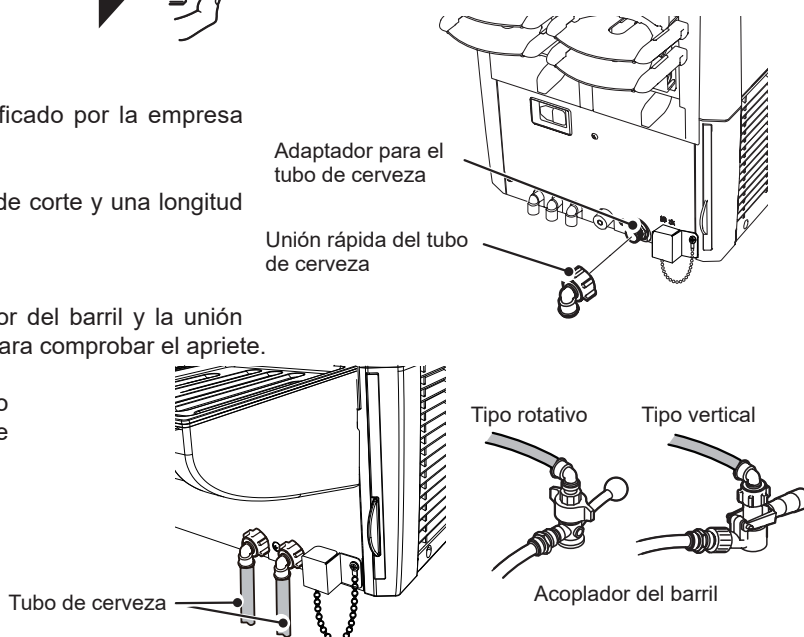
- Para conectar el tubo de CO2, empújelo hasta el fondo.
- Para desconectar el tubo de CO2, empuje y sostenga la parte (1) con los dedos y extraiga el tubo (2).



Tubo de cerveza

- Conecte la unión rápida del tubo de cerveza especificado por la empresa cervecera al adaptador del tubo de cerveza.
- Corte el tubo de cerveza para tener un plano vertical de corte y una longitud de dicho tubo no superior a 2,1 m.
- Inserte el tubo de cerveza firmemente en el acoplador del barril y la unión rápida del tubo de cerveza. Tire del tubo fuertemente para comprobar el apriete.

Nota: El método de conexión y desconexión del tubo de cerveza a y desde la unión rápida del tubo de cerveza dependerá de la empresa cervecera.



[c] COMPROBACIONES UNA VEZ REALIZADAS LAS CONEXIONES

1) Lave bien el depósito de limpieza y llénelo de agua corriente.

Nota: Si el depósito de limpieza no está limpio, se contaminará el circuito de cerveza.

2) Gire el acoplador del barril hacia la derecha para conectarlo al depósito de limpieza.

Nota: Si no está limpia, lave la unión entre el acoplador del barril y el depósito de limpieza.

3) Levante y retire la plataforma.

4) Coloque un cubo en la bandeja de drenaje para recoger el agua de la limpieza.

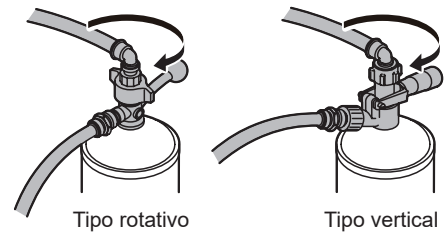
5) Compruebe que el tirador esté en la posición cerrada (normal). Abra la válvula principal de la botella de CO2 girándola hacia la izquierda unas cuantas veces.

6) Gire la rueda de ajuste del regulador para ajustar la presión a "0,15" (MPa).

7) Abra el circuito de cerveza.

Tipo rotativo: gire el asa del acoplador del barril hacia la derecha hasta que se detenga.

Tipo vertical: presione el asa del acoplador del barril hasta que encaje.



8) Desplace el tirador hacia usted para verter agua de la boquilla de líquido.

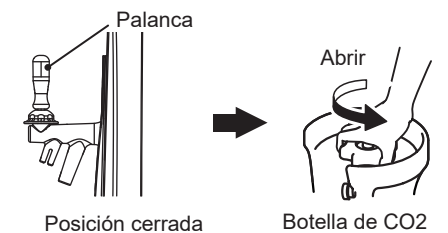
9) Compruebe que el circuito de CO2 no presente escapes de gas. Si presenta escapes, corrija las conexiones del tubo.

10) Compruebe que el circuito de cerveza no presente fugas de agua. Si presenta escapes, corrija las conexiones del tubo.

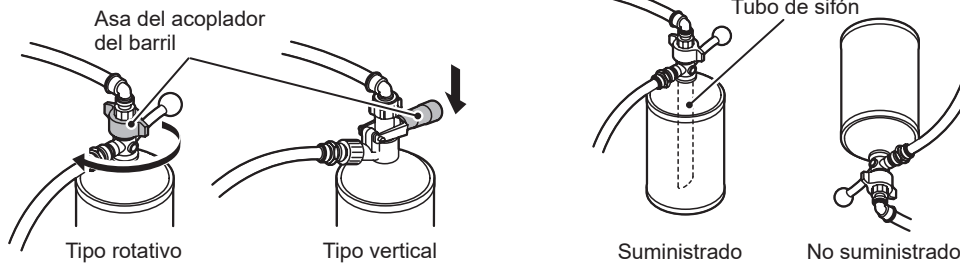
11) Mantenga el tirador en posición abierta y gire la rueda de ajuste del regulador para ajustar la presión a "0" (MPa).

12) Cierre la válvula principal de la botella de CO2 girándola hacia la derecha.

13) Cuando el CO2 deje de salir de la boquilla, vuelva a empujar el tirador hacia a la posición cerrada.



Nota: Si el depósito de limpieza se suministra con un tubo de sifón, deje el depósito de limpieza con el casquillo en la parte superior. Si no es así, deje el depósito de limpieza con el casquillo en la parte inferior.



8) Desplace el tirador hacia usted para verter agua de la boquilla de líquido.

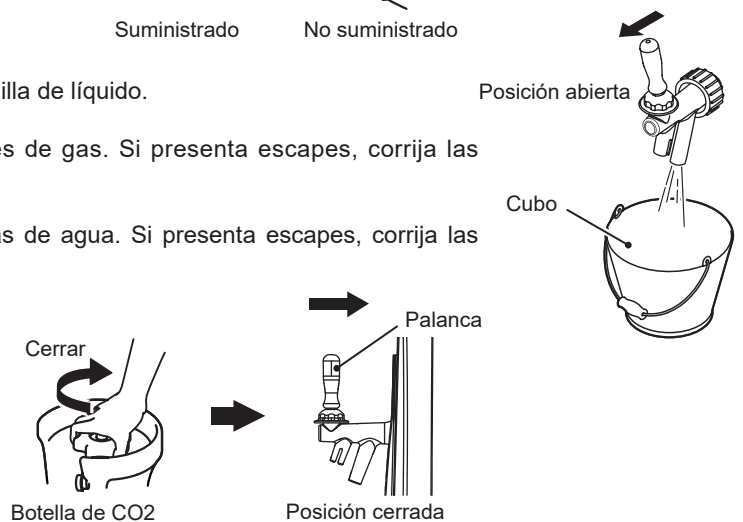
9) Compruebe que el circuito de CO2 no presente escapes de gas. Si presenta escapes, corrija las conexiones del tubo.

10) Compruebe que el circuito de cerveza no presente fugas de agua. Si presenta escapes, corrija las conexiones del tubo.

11) Mantenga el tirador en posición abierta y gire la rueda de ajuste del regulador para ajustar la presión a "0" (MPa).

12) Cierre la válvula principal de la botella de CO2 girándola hacia la derecha.

13) Cuando el CO2 deje de salir de la boquilla, vuelva a empujar el tirador hacia a la posición cerrada.



8. COMPROBACIONES DESPUÉS DE LA INSTALACIÓN

1) Llene el depósito de agua con el agua especificada. Consulte la sección "II. 2. LLENADO DEL DEPÓSITO DE AGUA".

2) Enjuague el circuito de cerveza y compruebe que no presente fugas de agua. Consulte la sección "III. 2. CIRCUITO DE CERVEZA (DIARIAMENTE)".

3) Compruebe el voltaje adecuado de la fuente de alimentación.

4) Enchufe la unidad.

* Compruebe que la unidad de refrigeración y el motor del agitador arranquen.

(En condiciones de baja temperatura, es posible que el motor del ventilador del condensador no arranque hasta que la temperatura del condensador suba).

* Transcurridas de 8 a 13 horas (dependiendo de la temperatura ambiente/del agua), abra la cubierta superior y compruebe que hay hielo almacenado en el depósito de agua.

5) Indique al usuario cómo utilizar la unidad.

6) Entregue este manual de instrucciones al usuario.

9. CONFIGURACIÓN DEL SENSOR DE CERVEZA AGOTADA (“U07”)

Elija entre los cuatro modos en función del tipo de bebida a dispensar (por ejemplo, cerveza, cóctel).

1) Baje la unidad del panel de operaciones en el lado deseado.

2) Mantenga pulsado el botón de configuración en el panel de operaciones para visualizar “U01” en la pantalla.

3) Utilice el botón de espuma o el botón de líquido para visualizar “U07” en la pantalla.

4) Pulse el botón de configuración para visualizar el número actual en la pantalla. Use el botón de espuma o el botón de líquido para seleccionar el número que desee (consulte la tabla siguiente). Pulse el botón de configuración para ajustar el número que parpadea.

N.º	Ajuste
0	Ajuste A (principalmente cerveza)
1	Ajuste B (principalmente cócteles)
2	Ajuste C (principalmente cócteles)
3	Ajuste D (opcional)

Nota: Por defecto, el sensor de cerveza agotada está ajustado a “0: Ajuste A (principalmente cerveza)”. El ajuste depende de la marca de la bebida a dispensar. Consúltelo con su distribuidor/proveedor.

5) Vuelva a pulsar el botón de configuración para visualizar “U07” en la pantalla. Mantenga pulsado el botón de configuración durante más de 3 segundos para completar el ajuste.

Nota: Si no se realiza ninguna operación durante más de 1 minuto, se reanuda el modo de dispensación. En este caso, vaya al paso 2) anterior.

10. AJUSTES DE USUARIO

Para configurar o cambiar ajustes:

Mantenga pulsado el botón de configuración durante 3 segundos para acceder al modo de configuración (consulte “9. CONFIGURACIÓN DEL SENSOR DE CERVEZA AGOTADA (“U07”)”).

Para completar los ajustes:

Cuando se visualice “U_ _” en la pantalla, mantenga pulsado el botón de configuración durante 3 segundos para acceder al modo de dispensación.

El modo de dispensación también se reanuda si no se realiza ninguna operación durante más de 1 minuto.

Elemento	Descripción	Ajuste predeterminado	Intervalo de ajuste
U01 Pantalla digital (en el modo de dispensación)	0: Sin indicación 1: Número de jarras (*) * El número cambia entre las jarras más grandes y las más pequeñas al cambiar el ajuste de jarra. * Para reiniciar, mantenga pulsado el botón de parada durante 3 segundos.	0	0 - 1

U02	Registro de la cantidad de jarras	Registro de la cantidad de jarras para cada reinicio en orden descendente * El registro se indica sucesivamente para cada cambio de barril con "U04". * El registro se indica tanto para jarras grandes como pequeñas al cambiar el ajuste de jarra. * Para reiniciar todos los registros actuales y pasados, mantenga pulsado el botón de parada durante 3 segundos. Este reinicio no afecta a "U04".	0	Hasta 5 registros
U03	Número de ciclos de lavado	Número de ciclos de lavado realizados * Un ciclo de lavado consiste en utilizar el botón de líquido (10 segundos en total) + el botón de espuma (3 segundos en total) en el modo de aclarado, excepto cuando no se realiza ninguna acción de dispensación automática durante el ciclo. * Para reiniciar, mantenga pulsado el botón de parada durante 3 segundos.	0	0 - 9999
U04	Número de cambios de barril (restablecer frecuencia)	Restablecer la frecuencia para una cantidad de jarras * El cambio de barril se cuenta cada vez que el botón de parada restablece el número de barriles. * Para reiniciar, mantenga pulsado el botón de parada durante 3 segundos.	0	0 - 9999
U05	Brillo del indicador de dispensación	Ajuste del brillo del indicador de dispensación	6	1 - 8
U06	Duración del parpadeo del indicador de dispensación	Ajuste de la duración del parpadeo del indicador de dispensación después de completar la dispensación * El indicador de dispensación parpadea para evitar que se coloque otra jarra mientras todavía gotea espuma. * La acción de dispensación automática no está disponible cuando el indicador parpadea.	1	0 - 10
U07	Ajuste del sensor de cerveza agotada	0: Ajuste A (principalmente cerveza) / umbral: 2,2 V 1: Ajuste B (principalmente cócteles) / umbral: 2,5 V 2: Ajuste C (principalmente cócteles) / umbral: 2,8 V 3: Ajuste D (opcional) / umbral: opcional * El ajuste depende de la marca de la bebida a dispensar. Consúltelo con su distribuidor/proveedor.	0	0 - 3
U08	Ajuste del modo autónomo	0: No 1: Sí (ningún botón está disponible a excepción del botón de dispensación/parada) * El modo autónomo se restablece cuando se selecciona el modo de dispensación manual (al levantar la unidad del panel de operaciones). Para reanudar el modo autónomo, cambie al modo de dispensación automática (tirando hacia abajo de la unidad del panel de operaciones) y pulse el botón de dispensación.	0	0 - 1
U09	Operación de inclinación de la jarra	0: Sí (la jarra se inclina cuando se dispensa cerveza) 1: No (la jarra se mantiene en posición vertical cuando se dispensa cerveza)	0	0 - 1
U10	Restablecer el número de jarras	0: Manual 1: Manual o cuando se detecta el sensor de cerveza agotada * Para un restablecimiento manual, mantenga pulsado el botón de parada durante 3 segundos.	0	0 - 1
U90	Restablecer la configuración	Restablecer solo los ajustes de usuario * Para restablecer los ajustes de usuario, cuando se visualice "1" en la pantalla, mantenga pulsado el botón de parada durante 3 segundos. * Si los ajustes se actualizan, se visualizará "U90" en la pantalla. Si no se actualizan, volverá a visualizarse "0".	0	0 - 1

II. INSTRUCCIONES DE FUNCIONAMIENTO

1. LIMPIEZA DEL CIRCUITO DE CERVEZA

Aunque el circuito de cerveza se limpia antes del envío, límpielo nuevamente antes de usarlo. Consulte la sección "III. 2. CIRCUITO DE CERVEZA (DIARIAMENTE)".

Compruebe que las piezas estén colocadas en sus posiciones correctas. Consulte la sección "I. 1. ESTRUCTURA".

2. LLENADO DEL DEPÓSITO DE AGUA

AVISO

Use solo el agua especificada para llenar el depósito de agua. El uso de cualquier otro tipo de agua o mezcla de sal, vinagre o jugo puede provocar un almacenamiento insuficiente de hielo, corrosión o perforación.

[a] CÓMO CREAR AGUA DE REFRIGERACIÓN

IMPORTANTE

Lea esta sección atentamente antes de llenar el depósito de agua.

Conductividad eléctrica (C.E.) del agua de refrigeración del depósito de agua

No utilice agua corriente.

Llene el depósito de agua con agua que tenga una C.E. de 100-300 $\mu\text{S}/\text{cm}$.

Mida la conductividad eléctrica con un conductímetro.

* C.E.: propiedad física que muestra la capacidad de conducir electricidad.

Unidad: μS (microsiemens)/cm

Por debajo de 100 $\mu\text{S}/\text{cm}$:

Es posible que el compresor no funcione y la refrigeración no sea la adecuada.

Por encima de 300 $\mu\text{S}/\text{cm}$:

Es posible que se forme un exceso de hielo en el evaporador y que la cerveza se congele dentro del serpentín, impidiendo que pueda dispensarse correctamente.

Cómo crear agua de refrigeración con una C.E. de 100-300 $\mu\text{S}/\text{cm}$

La capacidad del depósito de agua de esta unidad es de unos 30 L.

Cree el agua de refrigeración disolviendo 5 g de bicarbonato de sodio puro en unos 10 L de agua destilada y luego añada unos 20 L de agua destilada para llenar el depósito de agua.

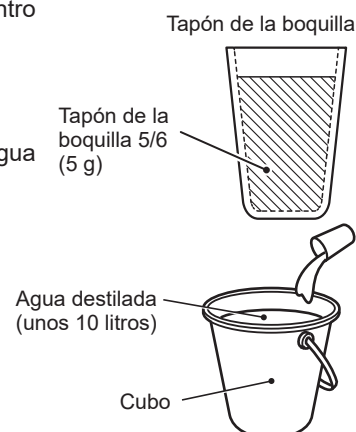
Paso 1

Mida 5 g de bicarbonato de sodio puro con el tapón de la boquilla (accesorio).

Paso 2

Llene un cubo con unos 10 L de agua destilada y remueva bien después de añadir los 5 g de bicarbonato de sodio medidos en el paso 1.

Enjuague el tapón de la boquilla después de utilizarlo.



[b] SUMINISTRO DE AGUA DE REFRIGERACIÓN

⚠ ADVERTENCIA

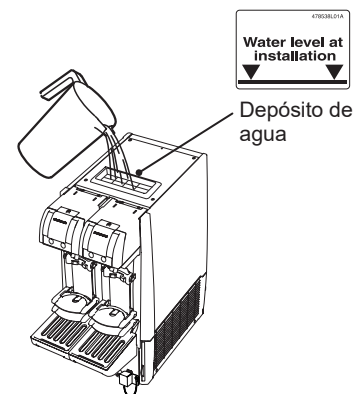
Antes de llenar el depósito de agua, apague el interruptor de alimentación (disyuntor de puesta a tierra) y desconecte la unidad.

AVISO

No salpique agua sobre las partes eléctricas.

No llene el depósito de agua por encima de la línea de nivel de agua, o la bandeja de drenaje rebosará y se derramará el agua.

- 1) Retire la cubierta superior.
- 2) Vierta el cubo preparado con (aprox. 10 L) agua de refrigeración.
- 3) Llene el depósito de agua con unos 20 L de agua destilada hasta la línea de nivel de agua marcada dentro del depósito de agua.
- 4) Utilice un conductímetro si desea medir la conductividad eléctrica.
- 5) Cierre la cubierta superior.



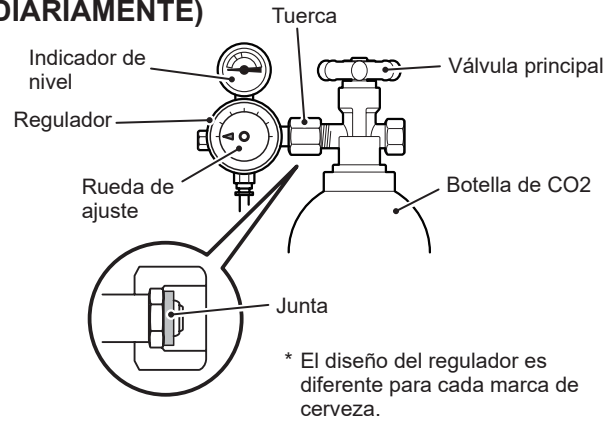
3. COMPROBACIONES ANTES DE LA UTILIZACIÓN (DIARIAMENTE)

[a] COMPROBAR LA BOTELLA DE CO2

Abra la válvula principal de la botella de CO2 y compruebe la presión de gas con el indicador de nivel del regulador:

* Si la lectura del indicador de nivel no es superior a 3 MPa o cae hasta la zona amarilla, el cilindro contiene poco CO2.

* Si la lectura del indicador de nivel no es superior a 1 MPa o cae hasta la zona roja, sustitúyala por una botella nueva.

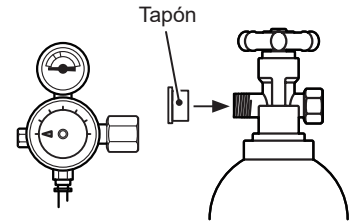


[b] SUSTITUIR LA BOTELLA DE CO2

- 1) Cierre la válvula principal de la botella de CO2 girándola hacia la derecha.
- 2) Gire la rueda de ajuste del regulador para ajustar la presión a "0" (MPa).
- 3) Utilice la llave (accesorio) para aflojar la tuerca y retire el regulador de la botella de CO2.

Nota: Asegúrese de tapar la botella de CO2.

- 4) Abra la válvula principal de la nueva botella de CO2 durante un segundo para eliminar la suciedad y el polvo de la unión (junto con el CO2).



- 5) Compruebe la junta del regulador. Si la junta está dañada o no se ha colocado, instale una nueva. (Póngase en contacto con la licorería, la empresa cervecera o el distribuidor).
- 6) Coloque el regulador de forma segura en la botella de CO2.

AVISO

Apriete la tuerca primero con la mano y luego con la llave (accesorio) para que el indicador de nivel quede en posición vertical.

- 7) Abra la válvula principal girándola hacia la izquierda y compruebe que no haya escapes de gas en la tuerca del regulador (sonido). Si hay un escape de gas, es posible que la tuerca esté floja o que la junta esté dañada o no se haya colocado.

Nota: Para comprobar si hay escapes de gas, coloque una esponja con jabón en la unión. Si hay escapes de gas, se formarán burbujas.

- 8) Gire la rueda de ajuste del regulador para ajustar una presión adecuada como se indica a continuación.

⚠ADVERTENCIA

La presión del CO2 en el barril de cerveza no debe superar los 0,37 MPa. De lo contrario, el barril de cerveza o el tubo podrían explotar y provocar lesiones.

La presión de CO2 en el barril de cerveza evita la separación del CO2 de la cerveza. Cuanto mayor es la temperatura del barril de cerveza, más fácil es la separación del CO2 y se requiere una mayor presión de gas.

Temperatura del barril de cerveza	Presión del gas
10 °C	0,20 MPa (Escala 2)
20 °C	0,22 MPa (Escala 2.2)
30 °C	0,32 MPa (Escala 3.2)

Nota: Los valores son solo de referencia. Defina la presión adecuada especificada por la empresa cervecera.

[c] COMPROBACIÓN DEL BARRIL DE CERVEZA

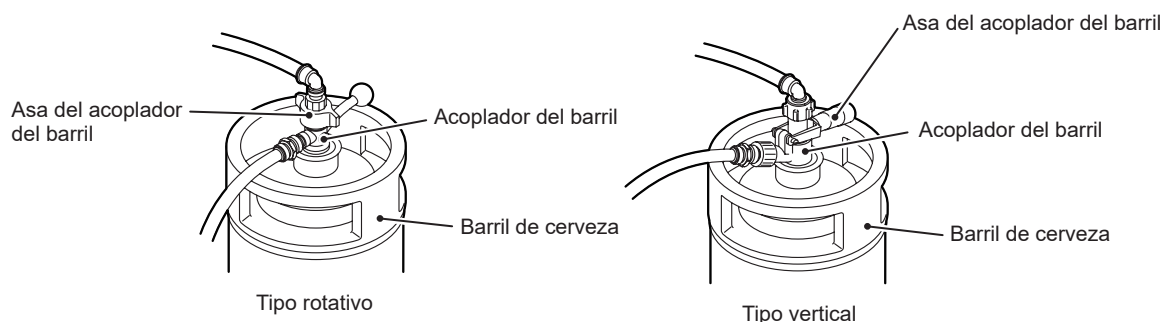
Si el indicador de cerveza agotada se ilumina y no se dispensa más cerveza, sustituya el barril de cerveza. No almacene un barril de cerveza abierto en un frigorífico. Pero manténgalo por debajo de los 30 °C.

[d] CAMBIAR EL BARRIL DE CERVEZA

⚠ ADVERTENCIA

No afloje el casquillo del barril de cerveza, puesto que la presión interna puede provocar que salga disparado y provocar lesiones.

Manipule el barril de cerveza con cuidado para evitar vibraciones. Hacer rodar o sacudir el barril de cerveza puede causar un exceso de espuma.



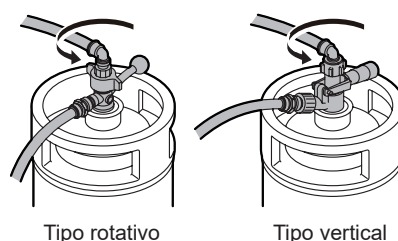
1) Cierre el circuito de cerveza.

Tipo rotativo: gire el asa del acoplador del barril hacia la izquierda hasta que se detenga.

Tipo vertical: desbloquee y levante el asa del acoplador del barril al máximo.

2) Gire la rueda de ajuste del regulador para ajustar la presión a "0" (MPa).

3) Gire el acoplador del barril hacia la izquierda para separarlo del barril de cerveza.



4) Gire el acoplador del barril hacia la derecha para conectarlo al barril de cerveza nuevo.

Nota: Si no está limpia, lave la unión entre el acoplador del barril y el barril de cerveza.

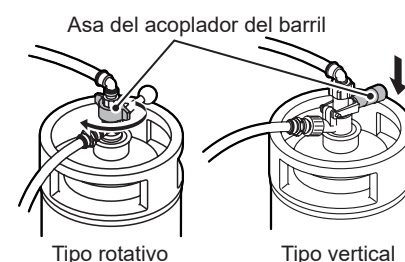
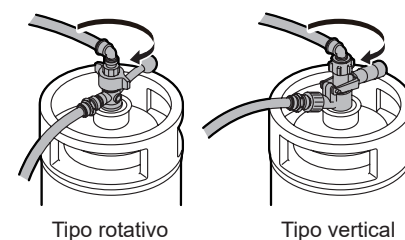
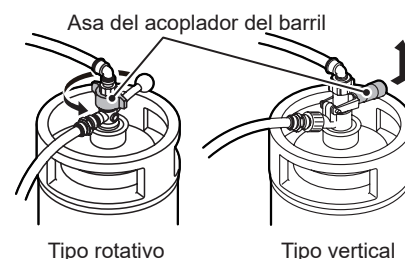
5) Gire la rueda de ajuste del regulador para definir una presión adecuada según la temperatura del barril de cerveza. Consulte "[b] SUSTITUIR LA BOTELLA DE CO2".

6) Abra el circuito de cerveza.

Tipo rotativo: gire el asa del acoplador del barril hacia la derecha hasta que se detenga.

Tipo vertical: presione el asa del acoplador del barril hasta que encaje.

7) Antes de dispensar cerveza, haga que la cerveza llegue al grifo como se describe en la sección "4. [b] HACER LLEGAR LA CERVEZA AL GRIFO".



4. PUESTA EN MARCHA

⚠ADVERTENCIA

En caso de escapes de gas, apague el suministro de gas principal y ventile la habitación. Para evitar chispas que pueden provocar un incendio y explosiones, no desconecte la unidad.

No use pulverizadores de líquidos combustibles ni coloque sustancias volátiles o inflamables cerca de la unidad. Podrían incendiarse debido a las chispas.

Si se corta la corriente, contacte con su distribuidor/proveedor. Para evitar descargas eléctricas o incendios, no lo vuelva a encender.

En caso de problemas, desconecte la unidad o la fuente de alimentación principal y contacte inmediatamente con su distribuidor/proveedor. Para evitar posibles descargas eléctricas o incendios, no mantenga la unidad en funcionamiento.

- 1) Enchufe la unidad.
- 2) La unidad de refrigeración y el motor del agitador se ponen en marcha.

IMPORTANTE

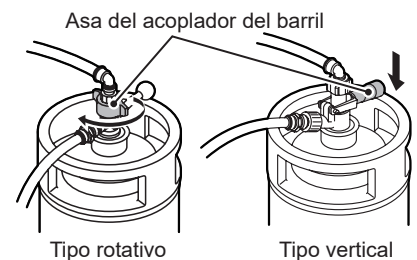
El procedimiento desde el inicio hasta la finalización del almacenamiento de hielo en el depósito de agua tarda de 8 a 13 horas. Es posible que la cerveza dispensada no esté lo bastante fría hasta que la producción de hielo se haya completado.

[a] MODO DE CONMUTACIÓN

Cada vez que se pulse el botón de aclarado en el panel de operaciones, cambiará entre el modo preparado y el modo de aclarado. En el modo preparado, se ilumina el indicador de dispensación. En el modo de aclarado, se ilumina el indicador de aclarado.

[b] HACER LLEGAR LA CERVEZA AL GRIFO

- 1) Compruebe que la rueda de ajuste del regulador marque la presión adecuada que haya especificado la empresa cervecera.
- 2) Abra el circuito de cerveza.
Tipo rotativo: gire el asa del acoplador del barril hacia la derecha hasta que se detenga.
Tipo vertical: presione el asa del acoplador del barril hasta que encaje.
- 3) Coloque una jarra sobre la plataforma.
- 4) Mantenga pulsado el botón de espuma para purgar el aire del circuito de cerveza a través de la boquilla de espuma. Suelte el botón de espuma cuando ya no se purgue más aire y se obtenga un flujo constante de espuma. Cuando la cerveza llega al sensor de cerveza agotada, el indicador de cerveza agotada se apaga y se ilumina el indicador de preparado.
- 5) Pulse el botón de líquido para comprobar que se dispense cerveza en condiciones. Deje de pulsar el botón de líquido para detener el flujo de cerveza.



IMPORTANTE

Si la boquilla de líquido se usa para purgar el aire del circuito de cerveza, el líquido salpicará junto con el gas. Al conectar o cambiar un barril de cerveza, use siempre la boquilla de espuma para purgar el aire.

5. CONFIGURACIÓN DE LAS CANTIDADES DE LÍQUIDO Y ESPUMA

⚠ATENCIÓN

Para reducir el riesgo de lesiones, no coloque los dedos detrás de la plataforma mientras ésta esté en movimiento.

IMPORTANTE

Las cantidades de líquido y espuma se ajustan mediante un control visual de la cerveza dispensada y del funcionamiento del botón. Las cantidades establecidas varían con la presión del CO₂. El reajuste es necesario cada vez que se cambia la presión del CO₂.

El ajuste está disponible para dos tamaños de jarra. Coloque la jarra más grande en la plataforma inferior y la jarra más pequeña en la plataforma superior. La jarra más grande debe ser al menos 2 cm más alta que la jarra más pequeña.

La dispensación automática está diseñada para una jarra de cristal común. Para evitar una formación excesiva de espuma, no utilice vasos de papel ni jarras de cerámica.

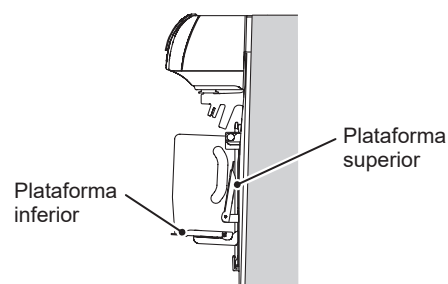
Las cantidades establecidas pueden variar según la temperatura ambiente, la temperatura del barril de cerveza, las condiciones de uso y el nivel restante de cerveza.

La tolerancia de las cantidades establecidas es de aproximadamente 30 mL por jarra de 400 mL. La presión del CO₂ debe ajustarse de acuerdo con la temperatura del barril de cerveza. Las cantidades establecidas pueden variar según el rendimiento del regulador que controla la presión de CO₂. Si las cantidades establecidas varían demasiado, deberá sustituir el regulador.

Vacíe la bandeja de drenaje con frecuencia antes de que el líquido caiga al suelo. El agua de refrigeración dentro del depósito de agua absorbe la humedad del aire y fluye a través del tubo de desbordamiento hacia la bandeja de drenaje.

[a] CONFIGURACIÓN PARA JARRAS GRANDES

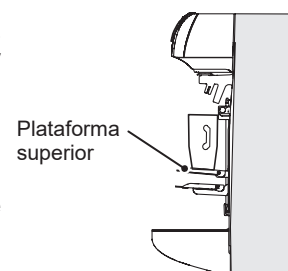
- 1) Levante la plataforma superior (accesorio). Coloque una jarra limpia en la plataforma inferior (accesorio) con la parte posterior contra la pared.
- 2) Pulse el botón de configuración. El indicador de configuración se ilumina y el indicador de dispensación parpadea.
- 3) Mantenga pulsado el botón de dispensación para elevar la plataforma hasta un ángulo de 40 grados.
- 4) Mientras pulsa el botón de dispensación, mantenga pulsado el botón de líquido. Cuando haya dispensado la cantidad deseada de líquido, deje de pulsar el botón de líquido. La plataforma se mantiene inclinada.
- 5) Mientras pulsa el botón de dispensación, elija cómo mover la plataforma de nuevo a la posición original.
Para mover la plataforma mientras dispensa líquido, mantenga pulsado el botón de líquido el tiempo deseado.
Para mover la plataforma sin dispensar líquido, pulse el botón de parada.
- 6) [Si no necesita espuma, omita el paso 6) y vaya al paso 7)].
Mientras pulsa el botón de dispensación, mantenga pulsado el botón de espuma. Cuando haya dispensado la cantidad deseada de espuma, deje de pulsar el botón de espuma. Para añadir más espuma, vuelva a pulsar el botón de espuma.



- 7) Deje de pulsar el botón de dispensación para completar la configuración para jarras grandes. El indicador de configuración se apaga y el indicador de dispensación deja de parpadear y permanece iluminado. Si se produce un error durante la configuración, vuelva al paso 2).

[b] CONFIGURACIÓN PARA JARRAS PEQUEÑAS

- 1) Baje la plataforma superior. Coloque una jarra limpia en la plataforma superior con la parte posterior contra la pared.
- 2) Consulte los pasos del 2) al 7) en "[a] CONFIGURACIÓN PARA JARRAS GRANDES".



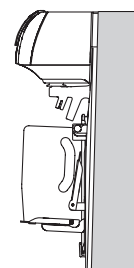
6. DISPENSAR

IMPORTANTE

Sirva la cerveza de acuerdo con las regulaciones locales aplicables.

[a] DISPENSACIÓN AUTOMÁTICA

- 1) Compruebe que el grifo de cerveza no gotee. Coloque una jarra limpia en la misma plataforma utilizada para el ajuste.



- 2) Pulse el botón de dispensación. La unidad dispensa automáticamente la cantidad definida de líquido y espuma.

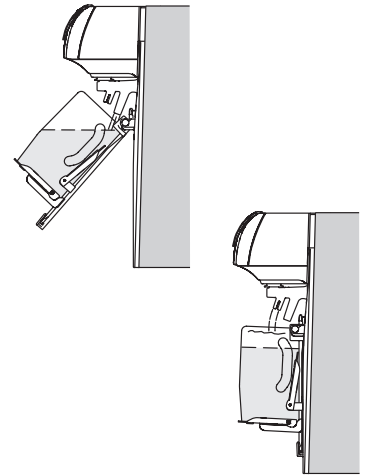
IMPORTANTE

Por defecto, el ajuste de la operación de inclinación de la jarra es "0: Sí" (la jarra se inclina al dispensar cerveza).

- 3) Para añadir más espuma, mantenga pulsado el botón de espuma hasta que se dispense la cantidad deseada de espuma.

IMPORTANTE

Coloque una jarra en la plataforma después de que el grifo de cerveza deje de gotear la espuma restante.



[b] DETENER LA DISPENSACIÓN AUTOMÁTICA

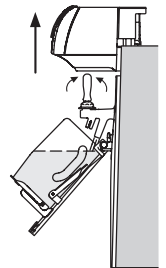
IMPORTANTE

Si se produce un fallo de alimentación durante la operación de dispensación y la unidad del panel de operaciones se levanta, no la fuerce hacia abajo una vez recuperado el suministro de energía y contacte con su distribuidor/proveedor.

Si la pantalla muestra un código de error (E_ _), desactive la unidad y vuelva a activarla. Si la pantalla sigue mostrando el código de error, contacte con su distribuidor/proveedor.

Para detener la operación de dispensación automática a la mitad del procedimiento:

- 1) Pulse el botón de parada. La plataforma se parará en esa posición. Al volver a pulsar el botón de parada, la plataforma vuelve a la posición original.
- 2) Si la operación de dispensación no se detiene al pulsar el botón de parada, levante la unidad del panel de operaciones. El tirador sale de la unidad del panel de operaciones y vuelve a la posición cerrada. Si sigue saliendo cerveza, mueva la palanca hacia adelante y hacia atrás.



⚠ATENCIÓN

Para reducir el riesgo de lesiones, no coloque los dedos en la abertura inferior de la unidad del panel de operaciones mientras está levantada.

- 3) Cierre el acoplador del barril conectado al barril de cerveza. Consulte la sección "II. 3. [d] CAMBIAR EL BARRIL DE CERVEZA".

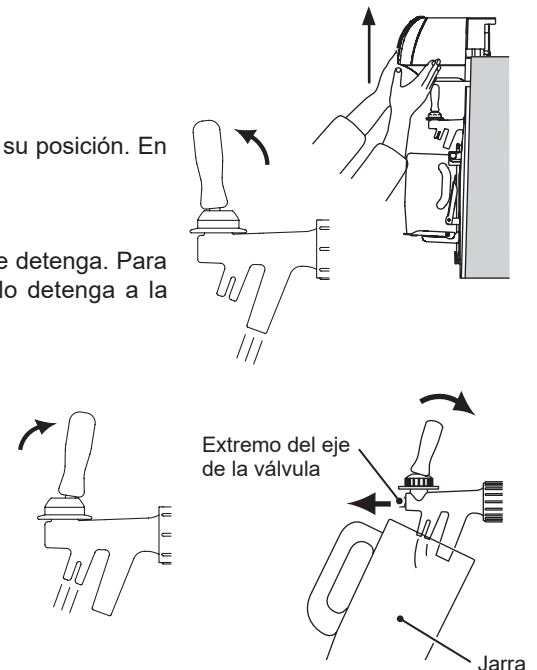
Para detener la operación de dispensación automática en caso de que se produzca un fallo de alimentación o un error:

Siga los pasos 2) y 3) anteriores.

[c] DISPENSACIÓN MANUAL

- 1) Levante la unidad del panel de operaciones lentamente hasta que encaje en su posición. En la pantalla se visualiza "OFF".
- 2) Para dispensar cerveza, tire del tirador rápidamente hacia usted hasta que se detenga. Para evitar la formación excesiva de espuma, no tire lentamente del tirador ni lo detenga a la mitad. Suelte el tirador para detener el flujo de cerveza.
- 3) Para dispensar espuma, presione el tirador rápidamente hasta que se detenga. Para evitar que la espuma sea líquida, no detenga el tirador a la mitad. Suelte el tirador para detener la espuma.

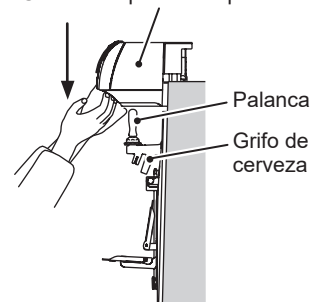
Nota: Al presionar el tirador durante la operación de dispensación manual, sale el extremo del eje de la válvula. Tenga cuidado de no golpear la jarra en el eje.



[d] CAMBIAR AL MODO DE DISPENSACIÓN AUTOMÁTICA

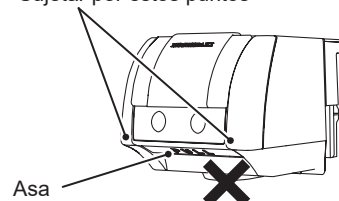
- 1) Sujete la parte inferior de la unidad del panel de operaciones y tire del asa frontal hacia usted para desbloquear la unidad.
- 2) Baje la unidad del panel de operaciones hasta que se detenga para cubrir el tirador. El indicador de dispensación se iluminará.

Unidad del panel de operaciones



⚠ATENCIÓN
Para evitar lesiones, no sujete la parte marcada con una cruz sino la superficie curva en la parte frontal cuando tire hacia abajo de la unidad del panel de operaciones.
Para evitar daños, no tire hacia abajo de la unidad del panel de operaciones con fuerza sin desbloquear el asa.

Sujetar por estos puntos



7. SENSOR DE CERVEZA AGOTADA

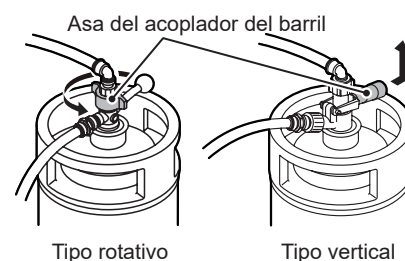
Cuando el barril de cerveza se vacía, la unidad detecta automáticamente dicho estado y detiene la operación de dispensación. El indicador de cerveza agotada se ilumina y el botón de dispensación deja de estar disponible.

IMPORTANTE
Por defecto, el sensor de cerveza agotada está ajustado a "0: Ajuste A (principalmente cerveza)".
En el modo de dispensación manual, la unidad no detendrá la dispensación aunque se ilumine el indicador de cerveza agotada. Tenga cuidado con el nivel del barril al dispensar cerveza.
Cuando se ilumine el indicador de cerveza agotada, sustituya el barril de cerveza. Consulte "3. [d] CAMBIAR EL BARRIL DE CERVEZA" y "4. [b] HACER LLEGAR LA CERVEZA AL GRIFO".

8. FINAL DE LA OPERACIÓN DE DISPENSACIÓN

- 1) Cierre el circuito de cerveza.
 - Tipo rotativo: gire el asa del acoplador del barril hacia la izquierda hasta que se detenga.
 - Tipo vertical: desbloquee y levante el asa del acoplador del barril al máximo.

IMPORTANTE
Cuando el acoplador del barril está cerrado, es posible que quede gas dentro del circuito de cerveza. Para evitar un exceso de espuma o un dispensado inadecuado, haga llegar cerveza al circuito hasta que salga gas por el grifo antes de empezar a utilizarlo al día siguiente. Consulte "4. [b] HACER LLEGAR LA CERVEZA AL GRIFO".

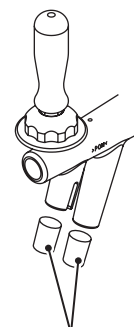


- 2) Enjuague el circuito de cerveza de la forma descrita en la sección "III. 2. CIRCUITO DE CERVEZA (DIARIAMENTE)".
- 3) Gire la rueda de ajuste del regulador para ajustar la presión a "0" (MPa).
- 4) Cierre la válvula principal de la botella de CO2 girándola hacia la derecha.

Nota: Para evitar que entre un exceso de CO2 en el barril de cerveza, cierre siempre la válvula principal de la botella de CO2 al final de la operación de dispensación.

- 5) Retire la humedad del extremo de las boquillas del grifo de cerveza. Limpie y coloque los tapones de las boquillas (accesorio).

Nota: Coloque siempre los tapones de las boquillas de accesorios al final de la operación de dispensación o durante los períodos de inactividad para evitar la entrada de insectos o suciedad en las boquillas del grifo de cerveza.



Tapón de la boquilla

9. DESCONEXIÓN

[a] DESCONEXIÓN

1) Compruebe que el acoplador del barril esté cerrado. Consulte “8. FINAL DE LA OPERACIÓN DE DISPENSACIÓN”.

Nota: Si se deja el acoplador del barril abierto, el suelo podría mojarse en caso de que se produzcan fugas de cerveza.

2) Desconecte la unidad. La unidad de refrigeración y el motor del agitador se detienen.

[b] DRENAJE DEL DEPÓSITO DE AGUA

⚠ HIGIENE

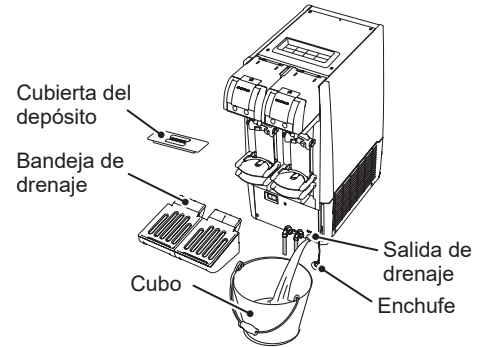
Si apaga el dispensador durante más de una semana, drene el depósito de agua para evitar que el agua se contamine.

Nota: Deberán transcurrir unos días después del apagado para que el hielo del depósito de agua se derrita. Antes de drenar el depósito de agua, apague primero la unidad y compruebe que el hielo se haya derretido en el depósito de agua. De lo contrario, no se drenará totalmente.

1) Retire la bandeja de drenaje (accesorio). Consulte la sección “III. 3. BANDEJA DE DRENAJE Y REJILLA (DIARIAMENTE)”.

2) Coloque un cubo con una capacidad de al menos 35 L delante de la unidad. Retire el tapón de la salida de drenaje para drenar el depósito de agua.

3) Después de drenar el depósito de agua, retire la cubierta superior para secar el interior del depósito de agua.



III. MANTENIMIENTO

⚠ ADVERTENCIA

Antes de realizar cualquier operación de limpieza o mantenimiento, desenchufe el dispensador de la red de suministro eléctrico.

Este aparato no debe limpiarse empleando agua a presión.

AVISO

Para evitar posibles daños, no limpie las piezas de plástico con agua a una temperatura superior a 40 °C ni en un lavavajillas.

Utilice un detergente neutro para el mantenimiento diario y jabón invertido (cloruro de benzalconio) para desinfectar.

Para evitar dañar las superficies pintadas o de plástico, no utilice disolvente, gasolina, alcohol, petróleo, jabón en polvo, limpiador en polvo, detergente alcalino, ácido, un cepillo duro ni un limpiador especial para ventiladores y cocinas. Asimismo, si desea evitar la corrosión, no utilice lejía (hipoclorito de sodio).

Cuando use toallitas químicas, siga las instrucciones del fabricante.

Utilice un paño limpio con las manos limpias.

Es posible que, en algunos casos, sea necesario limpiar la unidad con mayor frecuencia.

⚠ HIGIENE

Si va a utilizar jabón invertido o hipoclorito de sodio, lea bien y asegúrese de entender las instrucciones proporcionadas para evitar posibles problemas de salud.

Al final de la operación de dispensación, limpie el circuito de cerveza diariamente para evitar la contaminación.

Lávese las manos antes de manipular o limpiar las piezas.

1. LIMPIEZA BÁSICA

1) Lávese las manos.

2) Prepare paños limpios.

- 3) Desconecte la unidad.
- 4) Mezcle aproximadamente 10 mL de solución de jabón invertido al 10% (cloruro de benzalconio) en 1 L de agua tibia (de 30 a 40 °C). Humedezca un paño seco para limpiar las piezas.
- 5) Al cabo de 3 minutos, retire los restos de jabón con un paño humedecido en agua fría o tibia. Después, séquelo con un paño limpio.

IMPORTANTE

Los restos de la solución de limpieza pueden dañar las superficies metálicas y de plástico.

Para eliminar la acumulación de suciedad, use un detergente neutro y aclárelo con agua corriente.

2. CIRCUITO DE CERVEZA (DIARIAMENTE)

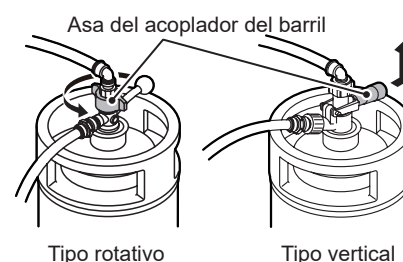
Para enjuagar el circuito de cerveza, utilice el depósito de limpieza especificado por la empresa cervecera. Siga las instrucciones que se facilitan con el depósito de limpieza.

- 1) Pulse el botón de aclarado del panel de operaciones. Compruebe que el indicador de aclarado esté iluminado.

- 2) Cierre el circuito de cerveza.

Tipo rotativo: gire el asa del acoplador del barril hacia la izquierda hasta que se detenga.

Tipo vertical: desbloquee y levante el asa del acoplador del barril al máximo.



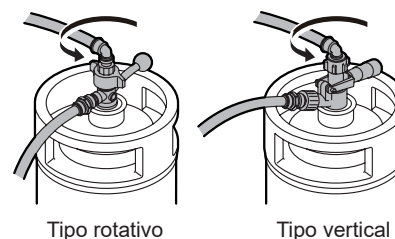
- 3) Gire la rueda de ajuste del regulador para ajustar la presión a "0" (MPa).

- 4) Cierre la válvula principal de la botella de CO2 girándola hacia la derecha.

- 5) Pulse el botón de líquido para dispensar la cerveza que queda en el circuito.

- 6) Si no sale más cerveza, pulse el botón de parada.

- 7) Gire el acoplador del barril hacia la izquierda para separarlo del barril de cerveza.

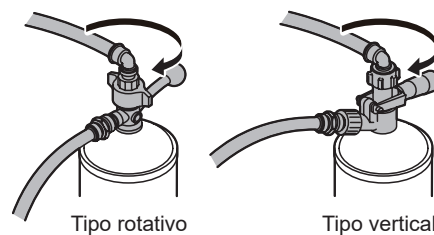


- 8) Lave bien el depósito de limpieza y llénelo de agua corriente.

Nota: Si el depósito de limpieza no está limpio, se contaminará el circuito de cerveza.

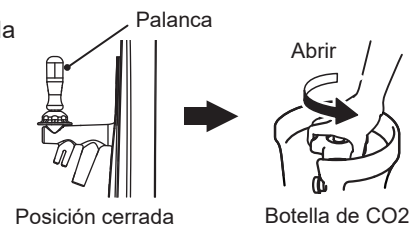
- 9) Gire el acoplador del barril hacia la derecha para conectarlo al depósito de limpieza.

Nota: Si no está limpia, lave la unión entre el acoplador del barril y el depósito de limpieza.



- 10) Compruebe que el tirador esté en la posición cerrada (normal). Abra la válvula principal de la botella de CO2 girándola hacia la izquierda unas cuantas veces.

- 11) Gire la rueda de ajuste del regulador para ajustar la presión a "0,15" (MPa).

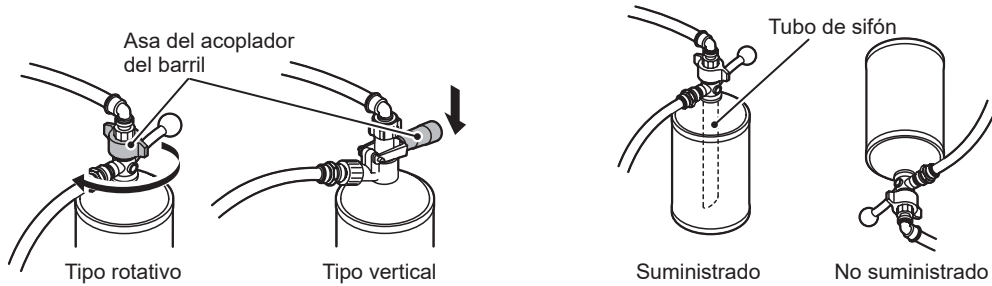


12) Abra el circuito de cerveza.

Tipo rotativo: gire el asa del acoplador del barril hacia la derecha hasta que se detenga.

Tipo vertical: presione el asa del acoplador del barril hasta que encaje.

Nota: Si el depósito de limpieza se suministra con un tubo de sifón, deje el depósito de limpieza con el casquillo en la parte superior. Si no es así, deje el depósito de limpieza con el casquillo en la parte inferior.



13) Retire las plataformas y la bandeja de drenaje y coloque un cubo debajo del grifo de cerveza.

14) Pulse el botón de líquido para dispensar agua desde la boquilla de líquido. Repita varias veces hasta que no salga más agua.

A continuación, pulse el botón de espuma para dispensar agua desde la boquilla de espuma. Repita varias veces hasta que no salga más agua.

15) Si no sale más agua de la boquilla, mantenga el tirador en posición abierta y gire la rueda de ajuste del regulador para ajustar la presión a "0" (MPa).

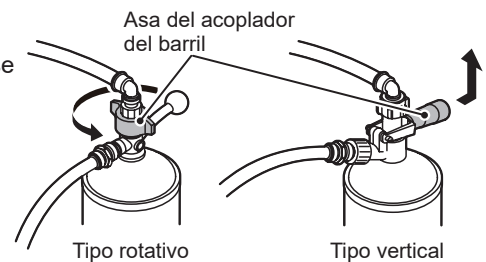
16) Cierre la válvula principal de la botella de CO2 girándola hacia la derecha.

17) Cuando deje de salir CO2 de la boquilla, pulse el botón de parada para cerrar el grifo de cerveza.

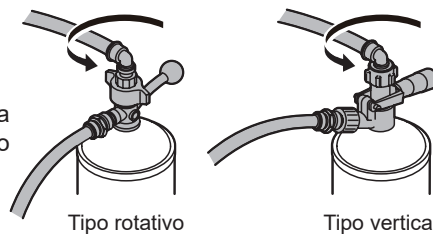
18) Cierre el circuito de cerveza.

Tipo rotativo: gire el asa del acoplador del barril hacia la izquierda hasta que se detenga.

Tipo vertical: desbloquee y levante el asa del acoplador del barril al máximo.

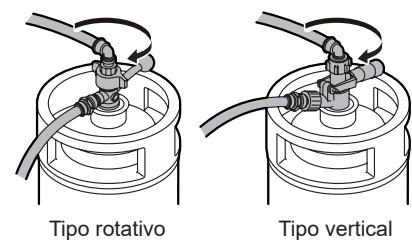


19) Gire el acoplador del barril hacia la izquierda para separarlo del depósito de limpieza.



20) Gire el acoplador del barril hacia la derecha para conectarlo al barril de cerveza.

Nota: Si no está limpia, lave la unión entre el acoplador del barril y el barril de cerveza.



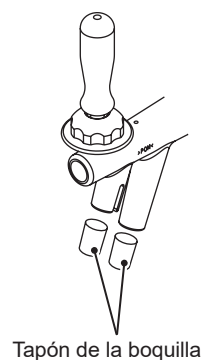
21) Lave bien el interior del depósito de limpieza, colóquelo boca abajo para vaciarlo y coloque y apriete el tapón para almacenarlo.

22) Coloque la plataforma en los brazos.

23) Pulse el botón de aclarado del panel de operaciones. Compruebe que el indicador de aclarado se apaga y el indicador de cerveza agotada se ilumina.

24) Seque la humedad de los extremos de las boquillas del grifo de cerveza. Limpie y coloque los tapones de las boquillas (accesorio).

Nota: Coloque siempre los tapones de las boquillas de accesorios al final de la operación de dispensación o durante los periodos de inactividad para evitar la entrada de insectos o suciedad en las boquillas del grifo de cerveza.



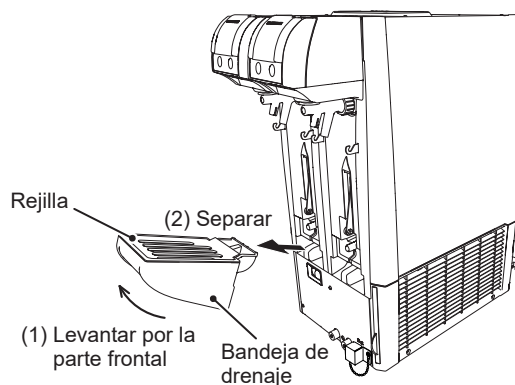
3. BANDEJA DE DRENAJE Y REJILLA (DIARIAMENTE)

1) Levante la parte delantera de la bandeja de drenaje y tire de ella hacia usted.

Nota: Tenga cuidado de no derramar el agua ni la cerveza recogidas en la bandeja de drenaje.

2) Lave la rejilla y la bandeja de drenaje con agua corriente.

3) Coloque la rejilla en la bandeja de drenaje y coloque la bandeja de drenaje insertándola con firmeza en el soporte para la bandeja de drenaje.



4. PLATAFORMA (DIARIAMENTE)

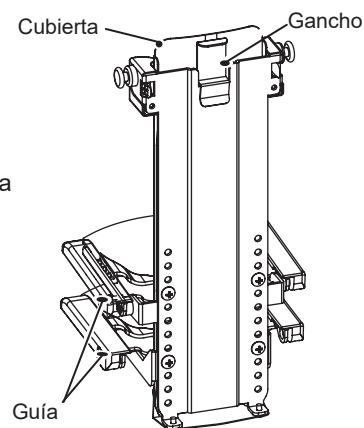
1) Levante ligeramente y separe la plataforma de los brazos.

2) Retire la cubierta de la plataforma.

3) Lave la cubierta y la plataforma con agua corriente. Use agua tibia y un paño o esponja para eliminar la acumulación de suciedad en los espacios.

4) Inserte la cubierta en la plataforma hasta que quede encajada.

5) Vuelva a colocar la plataforma en los brazos.



AVISO

Maneje la plataforma con cuidado. Si se cae y se daña, es posible que no se detecte de manera adecuada el tamaño de la jarra.

Si la plataforma sufre daños, contacte con su distribuidor/proveedor.

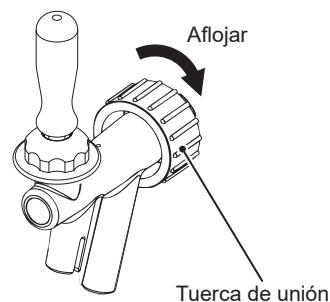
5. LIMPIAR EL CIRCUITO DE CERVEZA CON UNA ESPONJA (SEMANALMENTE)

Para enjuagar el circuito de cerveza, utilice el depósito de limpieza especificado por la empresa cervecera. Siga las instrucciones que se facilitan con el depósito de limpieza.

1) Siga los pasos descritos en "2. CIRCUITO DE CERVEZA (DIARIAMENTE)".

2) Levante lentamente la unidad del panel de operaciones hasta que encaje en su lugar.

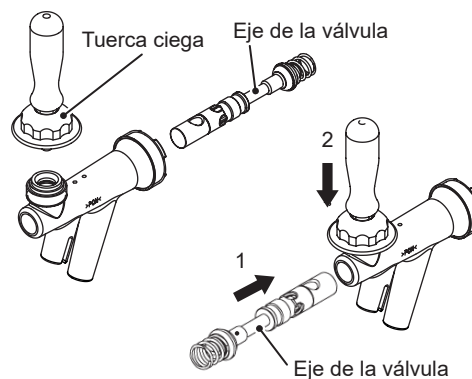
3) Gire la tuerca de unión hacia la derecha para retirar el grifo de cerveza.



AVISO

Maneje el grifo de cerveza con cuidado y no lo deje caer.

4) Afloje la tuerca ciega para desmontar el grifo de cerveza. Coloque el eje de la válvula en la dirección contraria y apriete la tuerca ciega.



AVISO

Ajuste el eje de la válvula en la dirección contraria para evitar que la esponja de limpieza obstruya el grifo de cerveza.

Manipule con cuidado el eje de la válvula. Si está deformado o dañado, es posible que la cerveza gotee.

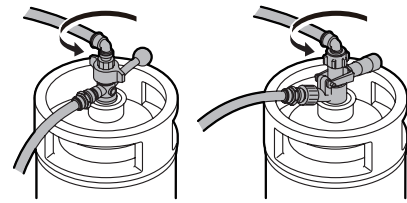
Maneje el tirador con cuidado y no lo deje caer.

5) Conecte el grifo de cerveza a la unidad apretando la tuerca de unión hacia la izquierda.

6) Retire la bandeja de drenaje y la rejilla accesorias. Consulte “3. BANDEJA DE DRENAJE Y REJILLA (DIARIAMENTE)”.

7) Coloque un cubo debajo del grifo de cerveza para recoger el agua de la limpieza.

8) Gire el acoplador del barril hacia la izquierda para separarlo del barril de cerveza.

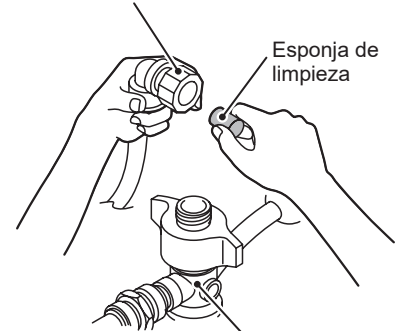


Tipo rotativo

Tipo vertical

9) Retire la unión rápida del tubo de cerveza del acoplador del barril y coloque una sola esponja de limpieza (accesorio) en la unión.

Unión rápida del tubo de cerveza



Esponja de limpieza

Acoplador del barril

AVISO

El uso de más de una esponja de limpieza o de una esponja no original puede obstruir el circuito de cerveza. En tal caso, contacte con su distribuidor/proveedor.

10) Vuelva a colocar la unión rápida del tubo de cerveza en el acoplador del barril.

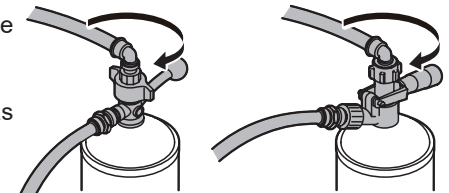
11) Lave bien el depósito de limpieza y llénelo de agua corriente.

Nota: Si el depósito de limpieza no está limpio, se contaminará el circuito de cerveza.

12) Gire el acoplador del barril hacia la derecha para conectarlo al depósito de limpieza.

Nota: Si no está limpia, lave la unión entre el acoplador del barril y el depósito de limpieza.

13) Abra la válvula principal de la botella de CO2 girándola hacia la izquierda unas cuantas veces.



Tipo rotativo

Tipo vertical

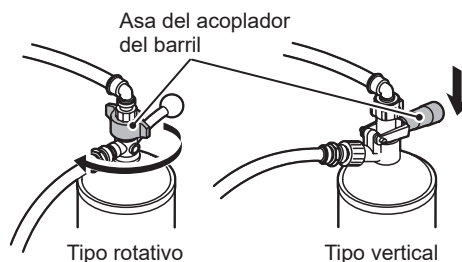
14) Gire la rueda de ajuste del regulador para ajustar la presión a “0,15” (MPa).

15) Abra el circuito de cerveza.

Tipo rotativo: gire el asa del acoplador del barril hacia la derecha hasta que se detenga.

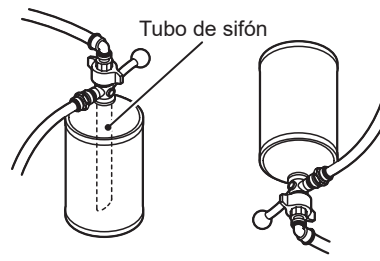
Tipo vertical: presione el asa del acoplador del barril hasta que encaje.

Nota: Si el depósito de limpieza se suministra con un tubo de sifón, deje el depósito de limpieza con el casquillo en la parte superior. Si no es así, deje el depósito de limpieza con el casquillo en la parte inferior.



Tipo rotativo

Tipo vertical



Suministrado

No suministrado

16) Espere hasta que la esponja de limpieza y el agua salgan de la boquilla de líquido.

17) Gire la rueda de ajuste del regulador para ajustar la presión a “0” (MPa).

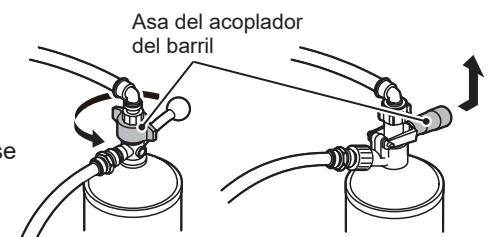
18) Cierre la válvula principal de la botella de CO2 girándola hacia la derecha.

19) Compruebe que deje de salir CO2 de la boquilla.

20) Cierre el circuito de cerveza.

Tipo rotativo: gire el asa del acoplador del barril hacia la izquierda hasta que se detenga.

Tipo vertical: desbloquee y levante el asa del acoplador del barril al máximo.



Tipo rotativo

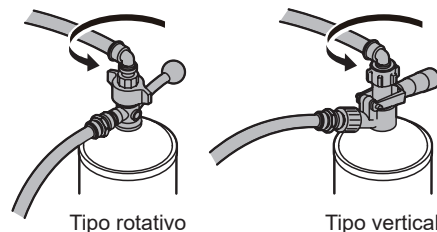
Tipo vertical

21) Gire el acoplador del barril hacia la izquierda para separarlo del depósito de limpieza.

22) Lave y seque completamente la esponja de limpieza y guárdela para su uso posterior.

23) Repita los pasos anteriores del 9) al 22) hasta que salga agua clara del grifo de cerveza.

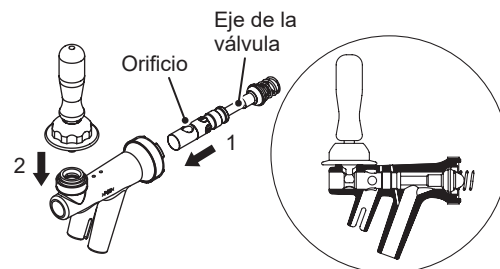
Nota: Recoja el agua en una jarra o un vaso para comprobar si está limpia. Repita esta operación varias veces hasta que el agua salga limpia.



24) Gire la tuerca de unión hacia la derecha para separar el grifo de cerveza.

25) Afloje la tuerca ciega para desmontar el grifo de cerveza. Coloque el eje de la válvula en la dirección original (normal) mientras alinea los orificios en el grifo de cerveza y el eje de la válvula (el orificio más grande hacia arriba), y apriete la tuerca ciega.

Nota: Si no monta el grifo de cerveza correctamente no se dispensará cerveza de la forma adecuada.



26) Coloque el grifo de cerveza en la unidad apretando la tuerca de unión hacia la izquierda.

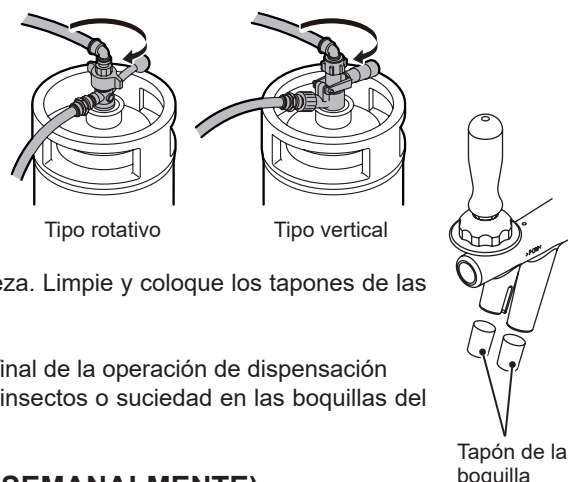
27) Lave bien el interior del depósito de limpieza, colóquelo boca abajo para vaciarlo y coloque y apriete el tapón para almacenarlo.

28) Sujete la parte inferior de la unidad del panel de operaciones y tire hacia usted del asa frontal para desbloquearla. Baje la unidad del panel de operaciones hasta que se detenga para cubrir el tirador.

Nota: Para evitar un mal funcionamiento, no tire hacia abajo de la unidad del panel de operaciones con el grifo de cerveza quitado.

29) Gire el acoplador del barril hacia la derecha para conectarlo al barril de cerveza.

Nota: Si no está limpia, lave la unión entre el acoplador del barril y el barril de cerveza.



30) Seque la humedad de los extremos de las boquillas del grifo de cerveza. Limpie y coloque los tapones de las boquillas (accesorio).

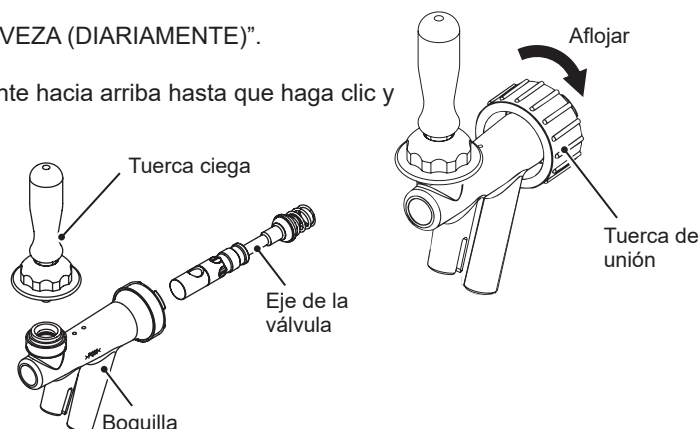
Nota: Coloque siempre los tapones de las boquillas de accesorios al final de la operación de dispensación o durante los períodos de inactividad para evitar la entrada de insectos o suciedad en las boquillas del grifo de cerveza.

6. DESMONTAJE Y LIMPIEZA DEL GRIFO DE CERVEZA (SEMANALMENTE)

1) Siga los pasos 1) a 7) de la sección "2. CIRCUITO DE CERVEZA (DIARIAMENTE)".

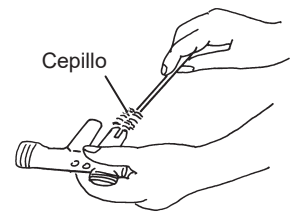
2) Separe la unidad del panel de operaciones tirando lentamente hacia arriba hasta que haga clic y encaje en su lugar.

3) Gire la tuerca de unión hacia la derecha para retirar el grifo de cerveza.

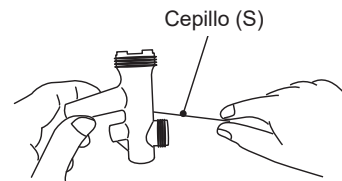


4) Afloje la tuerca ciega para desmontar el grifo de cerveza.

5) Utilice un lavavajillas neutro y el cepillo accesorio para limpiar el interior del grifo de cerveza y el eje de la válvula.



6) Utilice el cepillo accesorio (S) para limpiar los dos orificios pequeños del grifo de cerveza.

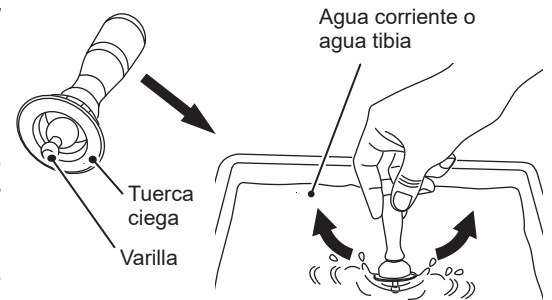


7) Moje la varilla y el interior de la tuerca ciega en agua corriente o agua tibia y agítelas para eliminar la suciedad.

8) Enjuague bien los elementos con agua corriente.

9) Coloque el eje de la válvula en la dirección original (normal) mientras alinea los orificios en el grifo de cerveza y el eje de la válvula (el orificio más grande hacia arriba), y apriete la tuerca ciega.

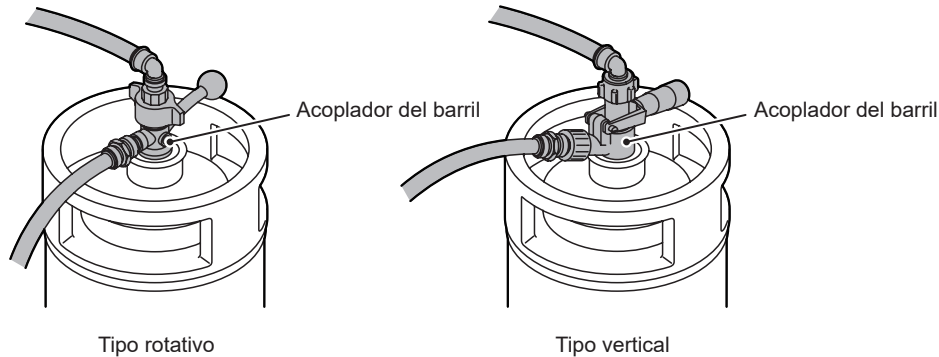
Nota: Si no monta el grifo de cerveza correctamente no se dispensará cerveza de la forma adecuada.



10) Sujete la parte inferior de la unidad del panel de operaciones y tire del asa frontal hacia usted para desbloquear la unidad. Baje la unidad del panel de operaciones hasta que se detenga para cubrir el tirador.

7. ACOPLADOR DEL BARRIL (SEMANTALMENTE)

Siga las instrucciones proporcionadas por la empresa cervecera para limpiar el acoplador del barril.



8. PARTE EXTERIOR (SEMANTALMENTE)

La parte exterior puede ensuciarse fácilmente. Manténgala siempre limpia.

AVISO

Para evitar daños, no utilice limpiadores que no sean neutros en la parte exterior de plástico.

1) Limpie utilizando un paño humedecido en agua tibia con detergente neutro.

2) Utilice un paño húmedo para limpiar los restos del producto de limpieza.

9. FILTRO DE AIRE (CADA DOS SEMANAS)

AVISO

Mantenga el filtro de aire limpio para garantizar un funcionamiento correcto.

No utilice la unidad sin el filtro de aire. Puede entrar polvo en la unidad y provocar fallos.

IMPORTANTE

El filtro de aire debe limpiarse según lo requieran las condiciones del lugar de la instalación.

- 1) Saque el filtro de aire.
- 2) Lave el filtro de aire con agua fría o tibia con un producto de detergente neutro.

Nota: Tenga cuidado de no dañar la malla.

- 3) Deje secar bien el filtro de aire a la sombra.
- 4) Vuelva a colocar el filtro de aire.



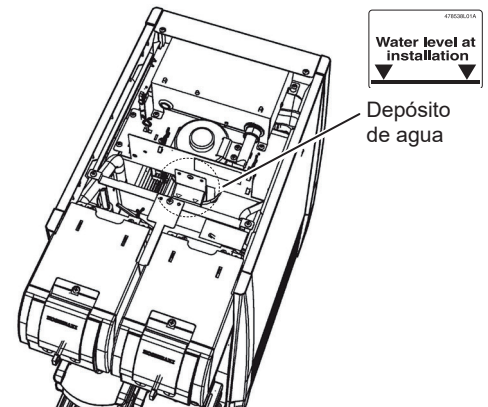
IV. INSPECCIÓN

1. AGUA DE REFRIGERACIÓN Y ELECTRODO (DOS VECES AL AÑO)

IMPORTANTE

Reemplace el agua de refrigeración y compruebe dos veces al año que el electrodo esté limpio.

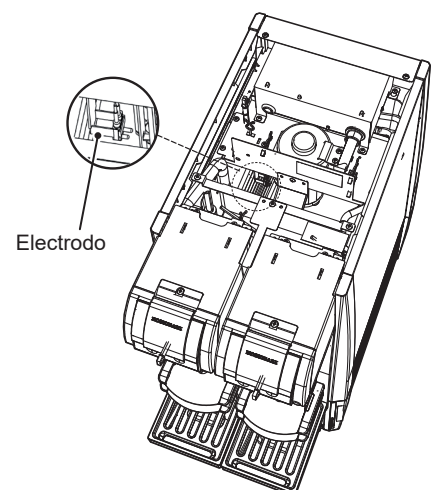
- 1) Desenchufe la unidad. La unidad de refrigeración y el motor del agitador se detienen.
- 2) Retire la cubierta superior.
- 3) Compruebe que el nivel de agua esté por encima de la marca del nivel de agua dentro del depósito de agua.
- 4) Purgue el depósito de agua. Consulte la sección "II. 9. [b] DRENAJE DEL DEPÓSITO DE AGUA".
- 5) Compruebe que el electrodo esté limpio.



AVISO

Si el electrodo se ha vuelto marrón, negro o no está limpio, contacte con su distribuidor/proveedor.

- 6) Llene el depósito de agua. Consulte la sección "II. 2. LLENADO DEL DEPÓSITO DE AGUA".
- 7) Enchufe la unidad. La unidad de refrigeración y el motor del agitador se ponen en marcha.



IMPORTANTE

El procedimiento desde el inicio hasta la finalización del almacenamiento de hielo en el depósito de agua tarda de 8 a 13 horas. Es posible que la cerveza dispensada no esté lo bastante fría hasta que la producción de hielo se haya completado.

2. TUBO DE GAS Y TUBO DE CERVEZA (UNA VEZ AL MES)

Compruebe que los tubos de gas y cerveza no estén dañados ni deformados, y que no presenten marcas de escapes de agua (manchas). Si se le presenta algún problema, contacte con su distribuidor/proveedor.

3. ENCHUFE Y CABLE DE ALIMENTACIÓN (UNA VEZ AL AÑO/DOS VECES AL AÑO)

⚠ADVERTENCIA

Compruebe periódicamente que las clavijas del enchufe y sus alrededores estén limpias de polvo y que el enchufe esté bien conectado al receptáculo. Unas clavijas polvorientas o una conexión floja podrían causar descargas eléctricas o un incendio.

No dañe el cable de alimentación. No debe manipularse, sacudirse, doblarse, presionarse ni atraparse. Podría provocar descargas eléctricas o un incendio.

La unidad debe tener una fuente de alimentación independiente. La bifurcación del cable de alimentación con un cable de extensión, o si se utiliza el mismo cable de alimentación para otros aparatos, podría provocar descargas eléctricas, generación de calor o un incendio.

Compruebe que:

- * La conexión de las clavijas del enchufe, sus alrededores y el receptáculo no tienen polvo. Límpielos si fuera necesario.
- * El enchufe y el cable de alimentación no estén dañados, presionados o atrapados.
- * El enchufe esté conectado a un receptáculo independiente.

V. OTRAS INFORMACIONES

1. PREPARAR EL DISPENSADOR PARA UN ALMACENAMIENTO PROLONGADO

⚠ADVERTENCIA

Cuando apague el dispensador durante más de una semana, desenchufe la unidad.

- 1) Drene el depósito de agua de la forma descrita en la sección "II. 9. [b] DRENAJE DEL DEPÓSITO DE AGUA".
- 2) Lleve a cabo los siguientes procedimientos para limpiar y drenar el circuito de cerveza y mantener la unidad limpia:
 - III. 5. LIMPIAR EL CIRCUITO DE CERVEZA CON UNA ESPONJA (SEMANALMENTE)
 6. DESMONTAJE Y LIMPIEZA DEL GRIFO DE CERVEZA (SEMANALMENTE)
 7. ACOPLADOR DEL BARRIL (SEMANALMENTE)
 8. PARTE EXTERIOR (SEMANALMENTE)
 9. FILTRO DE AIRE (CADA DOS SEMANAS)
- 3) Al volver a poner en marcha la unidad, siga los siguientes procedimientos:
 - II. 1. LIMPIEZA DEL CIRCUITO DE CERVEZA
 2. LLENADO DEL DEPÓSITO DE AGUA
 3. COMPROBACIONES ANTES DE LA UTILIZACIÓN (DIARIAMENTE)
 4. PUESTA EN MARCHA
 5. CONFIGURACIÓN DE LAS CANTIDADES DE LÍQUIDO Y ESPUMA
 6. DISPENSAR
 7. SENSOR DE CERVEZA AGOTADA
 8. FINAL DE LA OPERACIÓN DE DISPENSACIÓN

2. ANTES DE LLAMAR AL SERVICIO TÉCNICO

Si el dispensador no funciona correctamente, consulte la siguiente tabla antes de llamar al servicio técnico. Si el problema persiste, apague el interruptor de alimentación (disyuntor de puesta a tierra) y contacte con su distribuidor/proveedor. No intente reparar la unidad usted mismo. La reparación de la unidad solo debe realizarla personal cualificado.

Problema	Causa posible	Solución
La unidad no se pone en marcha.	La unidad está desenchufada.	Enchúfela.
	El fusible se ha fundido.	Póngase en contacto con su distribuidor/proveedor.
	Corte del suministro eléctrico.	Espere a que se restablezca el suministro de corriente.
La cerveza no está fría.	No hay hielo en el depósito de agua.	Espere hasta que se produzca hielo.
	Menos de 8 a 13 horas después de encender el interruptor de alimentación (disyuntor de puesta a tierra).	La producción de hielo tarda de 8 a 13 horas, dependiendo de la temperatura ambiente y de la temperatura del agua. Espere de 8 a 13 horas antes de dispensar cerveza.
	La temperatura ambiente es superior a 30 °C.	Ventilar con un ventilador para bajar la temperatura ambiente.
	No hay agua de refrigeración en el depósito de agua.	Llene el depósito de agua. Consulte la sección "II. 2. LLENADO DEL DEPÓSITO DE AGUA".
	La entrada o salida de aire está bloqueada o no está limpia.	Límpiala o desbloquéela. Consulte la sección "III. 9. FILTRO DE AIRE (CADA DOS SEMANAS)".
No se dispensa cerveza.	El barril de cerveza está vacío.	Sustitúyalo por un barril nuevo. Consulte la sección "II. 3. [d] CAMBIAR EL BARRIL DE CERVEZA".
	La botella de CO2 está vacía.	Sustitúyala por una nueva. Consulte la sección "II. 3. [b] SUSTITUIR LA BOTELLA DE CO2".
	La válvula principal de la botella de CO2 está cerrada.	Ábrala.
	El regulador se ajusta a "0".	Ajuste el regulador a una presión adecuada. Consulte la sección "II. 3. [b] SUSTITUIR LA BOTELLA DE CO2".
	El acoplador del barril no está correctamente conectado al barril de cerveza.	Verifique y corrija. Consulte la sección "II. 3. [d] CAMBIAR EL BARRIL DE CERVEZA".
	El asa del acoplador del barril está cerrada.	Abra el circuito de cerveza. Consulte la sección "II. 3. [d] CAMBIAR EL BARRIL DE CERVEZA".
	La cerveza obstruye el grifo de cerveza y la palanca no puede moverse suavemente.	Desmonte y limpie el grifo de cerveza. Consulte la sección "III. 6. DESMONTAJE Y LIMPIEZA DEL GRIFO DE CERVEZA (SEMANALMENTE)".
Ruido anormal.	Sonido de funcionamiento de la unidad de refrigeración o del motor del ventilador del condensador.	No hay problema.
	La base no es firme.	Póngase en contacto con su distribuidor/proveedor.
	La base no está nivelada.	Póngase en contacto con su distribuidor/proveedor.
	Algo está en contacto con la unidad.	Aleje todo tipo de objetos de la unidad.

Demasiada espuma.	Hace poco que el barril de cerveza se ha movido o sacudido.	Espere hasta que la cerveza en el barril se asiente.
	El barril de cerveza está casi vacío.	Sustitúyalo por un barril nuevo. Consulte la sección "II. 3. [d] CAMBIAR EL BARRIL DE CERVEZA".
	La botella de CO2 se deja abierta tras haber finalizado la operación de dispensación.	Cierre el cilindro todos los días al final de la operación de dispensación. Consulte la sección "II. 8. FINAL DE LA OPERACIÓN DE DISPENSACIÓN".
	El regulador no está configurado a una presión adecuada.	Ajuste el regulador a una presión adecuada. Consulte la sección "II. 3. [b] SUSTITUIR LA BOTELLA DE CO2".
	La jarra o el vaso no están limpios.	Límpielos.
	La temperatura de la jarra o del vaso es demasiado alta.	Siga las instrucciones de la empresa cervecera.
	El grifo de cerveza o el circuito de cerveza no están limpios.	Para la Limpieza, consulte la sección "III. 2. CIRCUITO DE CERVEZA (DIARIAMENTE)".
	No hay hielo en el depósito de agua.	Espere hasta que se produzca hielo.
	El tubo de gas está conectado al revés.	Conéctelo de nuevo.
Se desborda un exceso de espuma.	El tamaño de la jarra o la plataforma utilizada es diferente a la del momento del ajuste.	Coloque una jarra del mismo tamaño en la misma plataforma que la utilizada en el momento del ajuste.
Demasiado poco o demasiado líquido o espuma.	La rueda de ajuste del regulador se ha girado después de ajustar la cantidad de líquido.	Vuelva a ajustar la presión de gas CO2 y las cantidades de líquido y espuma.
El indicador de cerveza agotada se ilumina aunque el barril no está vacío.	No se ha ajustado correctamente la presión de gas CO2.	Vuelva a ajustar la presión de gas CO2 y las cantidades de líquido y espuma.
	Hay espuma en el tubo.	Consulte la sección "Demasiada espuma".

3. ELIMINACIÓN

Siga las normativas locales aplicables a la eliminación de este equipo y del gas refrigerante que contiene.

Eliminación correcta de este producto:

Estas marcas indican que está prohibido eliminar este producto junto con otros desechos de uso doméstico en todo el territorio de la UE. Para evitar posibles daños al medio ambiente o a la salud pública derivados de la eliminación no controlada de desechos, recíclelos de forma responsable para fomentar la reutilización sostenible de los recursos materiales. Para devolver el dispositivo usado, utilice los sistemas de devolución y recogida o póngase en contacto con el punto de venta donde adquirió el producto. El personal se encargará de reciclar este producto respetando el medio ambiente.



4. GARANTÍA

Hoshizaki garantiza al usuario/propietario que ninguno de los productos de su marca presentarán defectos de material y/o de mano de obra durante la duración del "periodo de garantía". La garantía será efectiva durante un año a partir de la fecha de instalación. La responsabilidad de Hoshizaki según los términos de esta garantía es limitada y excluirá las operaciones rutinarias de servicio y limpieza, el mantenimiento esencial y/o las reparaciones ocasionadas por un uso incorrecto y por unas instalaciones que no se ajusten a las instrucciones de Hoshizaki.

Las reparaciones cubiertas por la garantía deberá realizarlas un distribuidor o centro de servicio homologado de Hoshizaki y empleando componentes originales de su marca.

Para más detalles acerca de la garantía y de los centros de servicio homologados, póngase en contacto con su distribuidor/ proveedor o con la oficina de Servicio Técnico de Hoshizaki más cercana:

Hoshizaki UK - Reino Unido, Irlanda
TEL: +44 845 456 0585
FAX: +44 132 283 8331
uksales@hoshizaki.uk

Hoshizaki Middle East - Oriente Medio
TEL: +971 48 876 612
FAX: +971 48 876 613
sales@hoshizaki.ae

Hoshizaki Deutschland - Alemania, Suiza, Austria, Polonia, República Checa, Eslovaquia
TEL: +49 5121 697370
FAX: +49 5121 6973719
vertrieb@hoshizaki.de

Hoshizaki Benelux - Holanda, Bélgica, Luxemburgo
TEL: +31 85 018 83 70
info@hoshizaki.nl

Hoshizaki France - Francia
TEL: +33 1 48 63 93 80
FAX: +33 1 48 63 93 88
info@hoshizaki.fr

Hoshizaki Italia - Italia
TEL: +39 344 0616467
TEL: +39 348 3022156
info@hoshizaki.it

Hoshizaki Iberia - España, Portugal
TEL: +34 93 478 09 52
FAX: +34 93 478 08 00
info@hoshizaki.es

Hoshizaki Europe B.V. - Resto de países de Europa y África
TEL: +31 20 6918499
FAX: +31 20 6918768
sales@hoshizaki.nl

ESPECIFICACIONES

Modelo	DBF-AS65WE-EU-HC
Fuente de alimentación	1 fase 220 - 240 V 50 Hz
Capacidad de dispensado	65 L (30 °C a 8 °C/4 horas)
Tiempo de fabricación de hielo	11 horas (temperatura inicial del agua de refrigeración 25 °C)
Capacidad de almacenamiento de hielo	12 L
Dimensiones	367 mm (Anch.) x 674 mm (Prof.) x 764 mm (Alt.)
Refrigerante	R600a, 80 g
Agente espumante para aislamiento	HFO-1233zd(E)
Peso	Peso neto: 50 kg (Peso total: 77 kg)
Temp. ambiente	5 - 32 °C

INFORMAZIONI IMPORTANTI SULLA SICUREZZA

All'interno del presente manuale sono presenti delle note che evidenziano situazioni che potrebbero causare all'utilizzatore la morte o gravi lesioni, oppure danneggiare l'unità.

▲AVVERTENZA	Indica una situazione pericolosa che, se non evitata, può causare la morte o gravi lesioni.
▲ATTENZIONE	Indica una situazione pericolosa che, se non evitata, può causare lievi o moderate lesioni.
AVVISO	Indica una situazione pericolosa che, se non evitata, può causare danni all'unità.
▲IGIENE	Indica precauzioni importanti per l'igiene e la sicurezza degli alimenti.
IMPORTANTE	Indica informazioni importanti relative all'uso e alla cura dell'unità.

Questo spillatore automatico di birra utilizza un refrigerante privo di HFC (isobutano) e un isolamento in schiuma senza HFC. Tali materiali non danneggiano l'ozono, sono sostenibili da un punto di vista ambientale e hanno un potenziale di riscaldamento globale molto ridotto.

▲AVVERTENZA
L'unità di raffreddamento di questo spillatore automatico di birra contiene refrigeranti infiammabili; le operazioni di installazione, movimentazione, manutenzione e smaltimento devono pertanto essere svolte esclusivamente da tecnici autorizzati.
Il refrigerante contenuto in questo spillatore automatico di birra è infiammabile e sigillato all'interno del sistema di refrigerazione. Sebbene a normali condizioni d'uso il refrigerante non subisca perdite, lo spillatore automatico di birra va maneggiato con la massima cura per evitare danni al sistema.
In caso di danneggiamento accidentale del sistema di refrigerazione con conseguenti perdite di refrigerante: * Evitare fonti di ignizione nell'area circostante. * Non utilizzare spine o interruttori elettrici nell'area circostante. * Non usare fiamme vive. * Areare immediatamente l'area aprendo le porte e/o le finestre. * Contattare un tecnico qualificato.

IMPORTANTE
Il presente manuale costituisce una parte integrante ed essenziale del prodotto e deve essere conservato con cura dall'utente.
Leggere attentamente le indicazioni e le avvertenze in esso contenute, in quanto destinate a fornire all'installatore e all'utilizzatore informazioni essenziali per la corretta installazione, nonché per l'utilizzo prolungato e la manutenzione del prodotto in modo sicuro.
Conservare il presente manuale per poterlo consultare all'occorrenza in futuro.

▲AVVERTENZA

Questo apparecchio è uno spillatore commerciale automatico di birra, destinato esclusivamente agli usi per i quali è stato specificamente progettato.

Ogni altro utilizzo deve essere considerato improprio e pertanto pericoloso. Il produttore non potrà essere ritenuto responsabile per gli eventuali danni causati da utilizzi impropri, errati o sconsiderati.

L'installazione e, ove necessario, lo spostamento dell'apparecchio devono essere eseguiti da personale qualificato, in conformità alle normative vigenti e alle istruzioni del produttore.

Mantenere le aperture di ventilazione libere da ostruzioni, sia nell'alloggiamento dell'apparecchio sia nella struttura incorporata.

Non danneggiare il circuito di refrigerazione.

Le operazioni di manutenzione devono essere effettuate da un tecnico addestrato. L'area di manutenzione deve essere accessibile solo a personale che conosca e abbia familiarità pratica con l'apparecchio, specialmente per quanto riguarda gli aspetti legati all'igiene e alla sicurezza.

L'uso di qualsiasi apparecchiatura elettrica comporta l'osservanza di alcune norme fondamentali. In particolare:

* La presenza di elevati livelli di umidità aumenta i rischi di cortocircuiti elettrici e potenziali folgorazioni. In caso di dubbi, scollegare lo spillatore.

* Non danneggiare il cavo di alimentazione né tirarlo per scollegare lo spillatore dalla rete elettrica.

* All'occorrenza, il cavo e/o la spina di alimentazione devono essere sostituiti esclusivamente da un tecnico qualificato.

* Non toccare i componenti elettrici né azionare gli interruttori con le mani bagnate.

* L'apparecchio non è destinato all'uso da parte di persone (inclusi i bambini) con capacità fisiche, sensoriali o mentali ridotte o prive di competenze e conoscenze adeguate; è tuttavia consentito l'uso da parte di bambini con età minima di 8 anni, nonché di persone con capacità fisiche, sensoriali o mentali ridotte o con mancanza di competenze e conoscenze, purché sotto la supervisione o secondo le istruzioni sull'uso dell'apparecchio fornite da un responsabile della sicurezza dei soggetti sopra indicati.

* I bambini non devono giocare con l'apparecchio.

* La pulizia e la manutenzione non devono essere effettuate da bambini senza la supervisione di un adulto.

* Non apportare modifiche allo spillatore. L'apparecchio può essere smontato o riparato solo da personale qualificato.

Quando si posiziona l'apparecchio, accertarsi che il cavo di alimentazione non sia intrappolato o danneggiato.

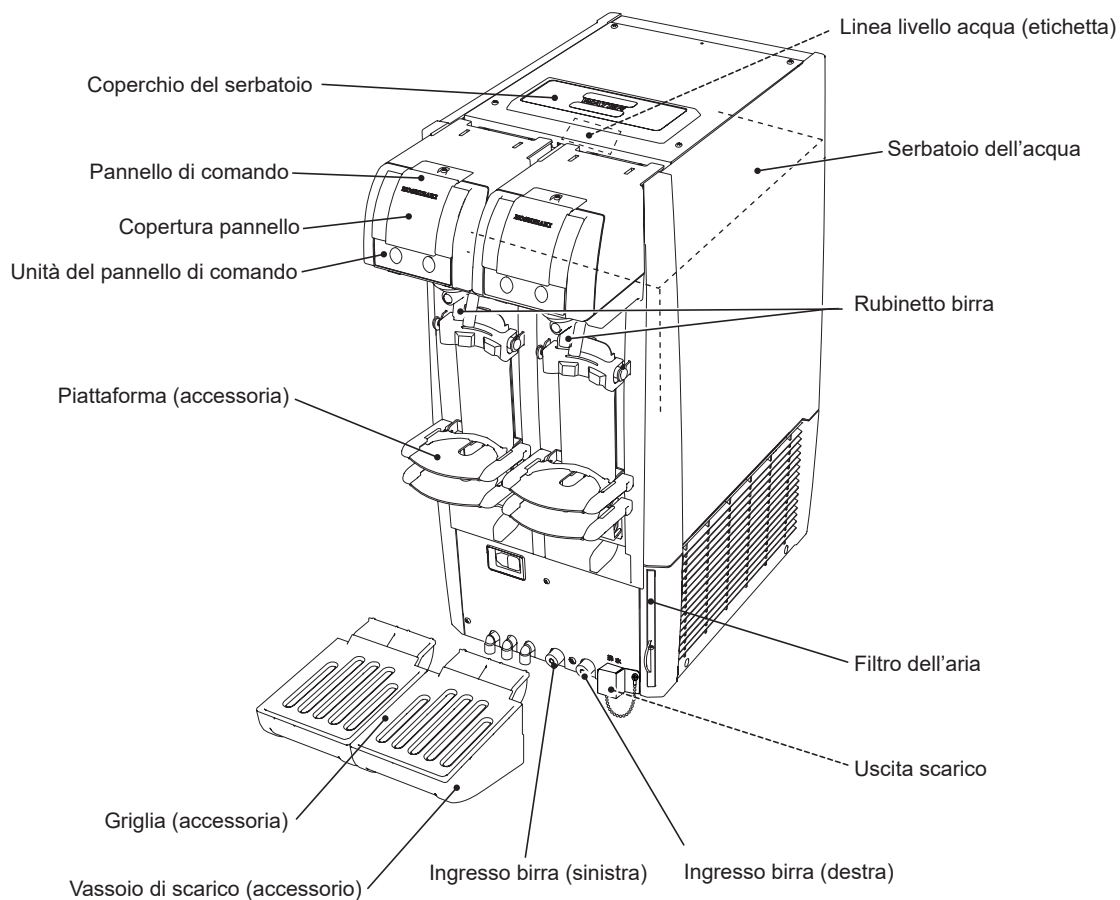
Non posizionare prese multiple mobili o alimentatori mobili sul retro dell'apparecchio.



Il significato di questo simbolo ISO 7010 W021 è il seguente:
Avvertenza: Rischio d'incendio

I. ISTRUZIONI DI INSTALLAZIONE

1. STRUTTURA



Spia di impostazione
 Si accende quando lo spillatore è in modalità impostazione.

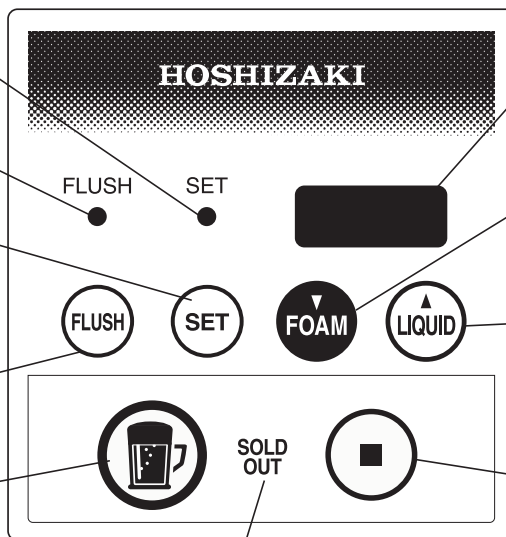
Spia di spurgo
 Si accende quando lo spillatore è in modalità spurgo.

Pulsante di impostazione
[Premere una volta]
 Consente di passare dalla modalità impostazione alla modalità pronto per l'uso (la spia di erogazione lampeggia velocemente).
[Tenere premuto]
 Utilizzato per configurare le impostazioni utente ("U__" sul display).

Pulsante di spurgo
 Per passare dalla modalità pronto alla modalità spurgo.

Pulsante (spia) di erogazione
 Si accende quando lo spillatore è in modalità pronto per l'uso.
[Premere una volta]
 Eroga automaticamente la quantità di birra preimpostata.
[Tenere premuto]
 Permette di accedere alle impostazioni di erogazione automatica quando la modalità impostazione è attiva.

Pannello di comando



Spia di fine disponibilità
 Si accende quando il fusto si svuota.

Display
 Mostra le varie informazioni, come ad es. il numero di boccali.

Pulsante schiuma
[In modalità pronto per l'uso]
 Tenere premuto per erogare la schiuma.
[In modalità spurgo]
 Premere una volta per erogare la schiuma. Premere nuovamente per arrestare il processo.

Pulsante liquido
[In modalità pronto per l'uso]
 Tenere premuto per erogare il liquido.
[In modalità spurgo]
 Premere una volta per erogare il liquido. Premere nuovamente per arrestare il processo.

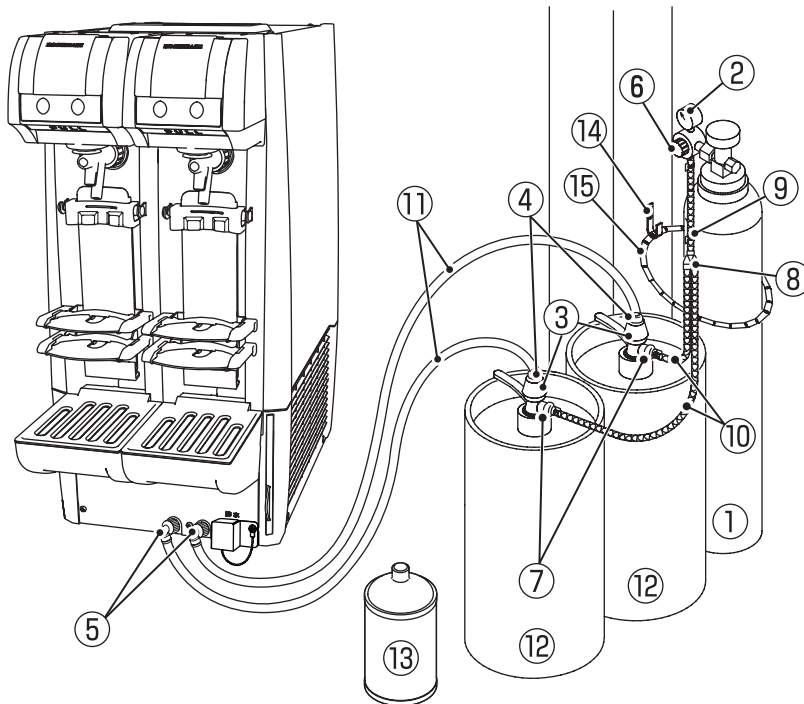
Pulsante di arresto
[Premere una volta]
 Consente di arrestare manualmente il rubinetto della birra o il funzionamento della piattaforma.
[Tenere premuto]
 Resetta le informazioni sul display (ad es. il numero di boccali).

AVVISO

Aprire la copertura del pannello per accedere ai pulsanti e alle spie che non siano il pulsante di erogazione (spia di erogazione), la spia "sold out" e il pulsante "stop".

Aprire delicatamente la copertura del pannello per evitare di danneggiarla.

Preparare e installare l'attrezzatura seguente. Consultarsi con il punto vendita, il produttore della birra o il distributore interessato per preparare il regolatore, l'innesto del fusto e la bombola di gas CO2 previsti per l'erogazione della birra.



- [1] Bombola di gas CO2
- [2] Regolatore
- [3] Innesto del fusto
- [4] Raccordo a innesto rapido per il tubo della birra (lato innesto)
- [5] Raccordo a innesto rapido per il tubo della birra (lato spillatore)
- [6] Raccordo a innesto rapido per il tubo del gas (lato regolatore)
- [7] Raccordo a innesto rapido per il tubo del gas (lato innesto)
- [8] Raccordo di derivazione
- [9] Tubo del gas (corto)
- [10] Tubo del gas (lungo)
- [11] Tubo della birra
- [12] Fusto della birra
- [13] Serbatoio di pulizia
- [14] Gancio (accessorio)
- [15] Catenella della bombola (accessoria)

2. ACCESSORI

Manuale di istruzioni	1
Foglio di istruzioni	1
Vassoio di scarico	2
Tappo per ugello	8
Scovolino	1
Scovolino (piccolo)	1
Spugna per pulizia	6
Etichetta di istruzioni	1
Istruzioni per il montaggio della piattaforma	1
Chiave	1
Gancio	1
Vite di fissaggio del gancio	2
Catenella per bombola	1
Guarnizione circolare (grande) P21	1
Griglia	2
Piattaforma	2



3. DISIMBALLAGGIO

⚠AVVERTENZA

Tenere gli elementi d'imballaggio (sacchetti in plastica e polistirolo espanso) lontano dalla portata dei bambini, perché potenzialmente pericolosi.

⚠ATTENZIONE

Non sollevare o maneggiare il cartone utilizzando il nastro d'imballaggio.

Quando si sposta l'unità manualmente, afferrarla dal basso.

Non sollevare l'unità afferrandola dal rubinetto. Il rubinetto potrebbe subire danni o l'unità potrebbe cadere causando lesioni.

Indossare sempre guanti protettivi per trasportare l'unità.

Per evitare il rischio di lesioni, lavorare sempre in coppia quando si maneggia la scatola o l'unità disimballata.

AVVISO

Rimuovere il cartone d'imballaggio, il nastro adesivo e l'imballaggio. In presenza di materiale d'imballaggio all'interno dello spillatore, questo non funzionerà correttamente.

Per evitare danni, non inclinare lo spillatore a più di 45°.

- 1) Dopo aver tolto l'imballaggio, verificare che lo spillatore sia in buone condizioni. In caso di dubbi, non utilizzare lo spillatore ma rivolgersi a personale qualificato.
- 2) Rimuovere la pellicola di plastica esterna di protezione. In caso di esposizione dello spillatore al sole o al calore, rimuovere la pellicola una volta che lo spillatore si sarà raffreddato.
- 3) Rimuovere la scatola degli accessori. Verificarne il contenuto secondo quanto indicato nella sezione "2. ACCESSORI".

4. UBICAZIONE

⚠AVVERTENZA

Lo spillatore non è destinato all'utilizzo in esterni.

Lo spillatore non deve essere posizionato in prossimità di forni, grill o altre apparecchiature che producono calore intenso.

Questa apparecchiatura non è adatta ad essere installata nelle aree in cui potrebbero essere utilizzati getti d'acqua.

⚠ATTENZIONE

Il piano d'appoggio deve garantire allo spillatore una base solida e piana.

AVVISO

Non posizionare alcun oggetto che possa ostruire le aperture di ventilazione.

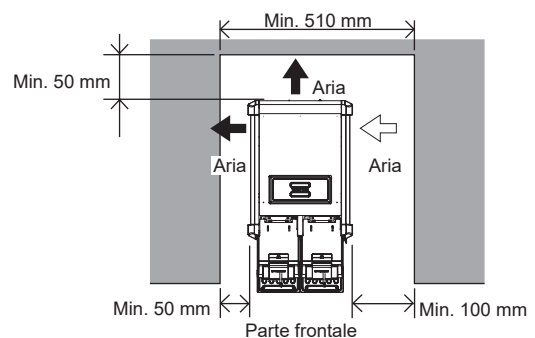
IMPORTANTE

La normale temperatura dell'ambiente di funzionamento deve essere compresa tra i 5 °C e i 32 °C, la temperatura dell'acqua di raffreddamento non deve superare i 25 °C e la temperatura del fusto di birra deve essere compresa tra i 10 °C e i 30 °C. Se lo spillatore viene fatto funzionare per periodi di tempo prolungati al di fuori degli intervalli di temperatura indicati, si rischia di condizionarne la capacità di produzione.

Mantenere 10 mm di spazio extra nel punto di montaggio per eventuali esigenze di installazione (uno spazio aggiuntivo è inoltre necessario per garantire un idoneo ricircolo di aria e per alloggiare i raccordi dei tubi).

Tenere lo spillatore riparato dai raggi diretti del sole.

Lasciare lo spazio specificato sotto per la corretta circolazione dell'aria e per le eventuali operazioni di manutenzione e/o assistenza che dovessero rendersi necessarie.



In alcuni ambienti fortemente umidi, all'interno della macchina può formarsi condensa che in seguito gocciolerà sul pavimento. Non installare l'apparecchio su un pavimento che potrebbe subire danni a causa dell'acqua.

Evitare l'esposizione prolungata dell'apparecchio ai raggi solari diretti.

5. INSTALLAZIONE

⚠ATTENZIONE

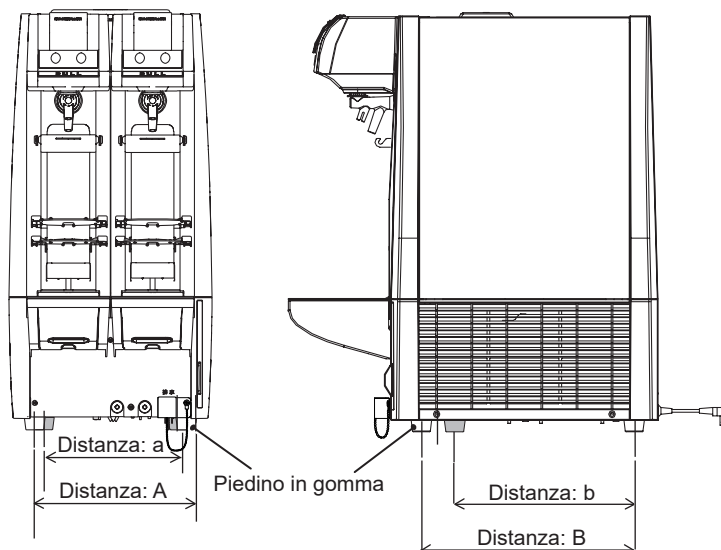
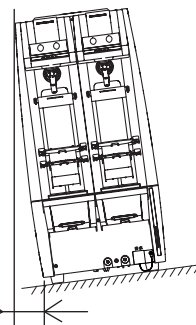
Un'installazione scorretta può causare danni a persone, animali o cose. Il produttore declina ogni responsabilità per tali danni.

[a] SPILLATORE

I piedini in gomma anteriori possono essere spostati all'indietro rispetto alla loro posizione originaria. Se sul tavolo o sul bancone non c'è abbastanza spazio per posizionare i piedini, rimuovere quelli anteriori con un cacciavite dal basso e rimontarli nelle posizioni seguenti.

Impostazioni di fabbrica	Distanza: A	274 mm
	Distanza: B	388 mm
Dopo la regolazione	Distanza: a	244 mm
	Distanza: b	328 mm

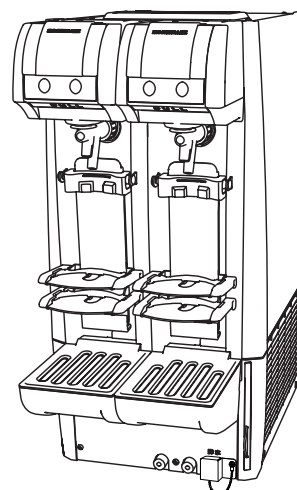
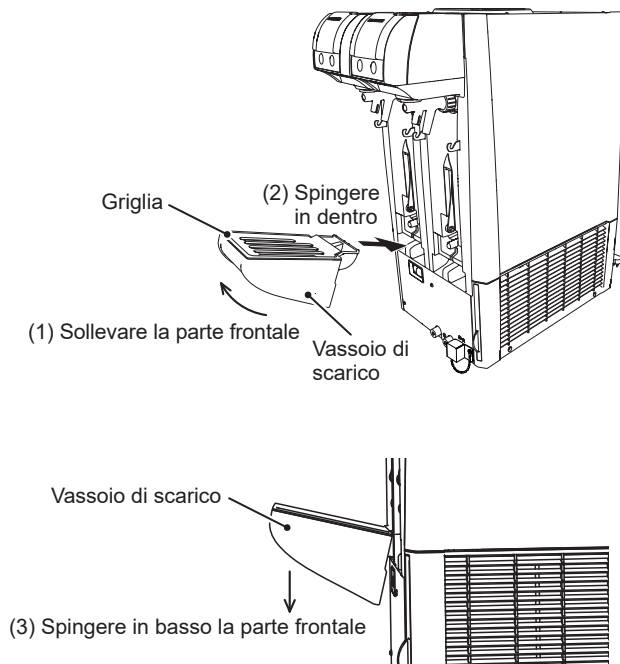
Non inclinare per più di 1 cm



[b] VASSOIO DI SCARICO

Per collegare il vassoio di scarico (accessorio) e la griglia (accessoria):

- (1) Sollevare la parte frontale del vassoio di scarico;
- (2) Inserire saldamente il vassoio di scarico nel suo supporto;
- (3) Spingere verso il basso la parte frontale del vassoio di scarico.

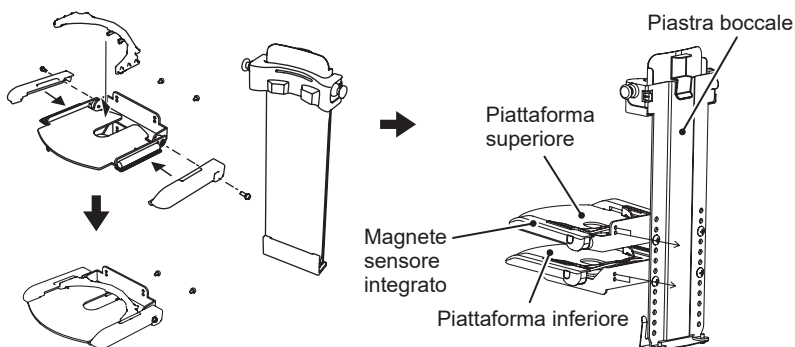


Dopo l'installazione degli accessori

[c] REGOLAZIONE DELLA PIATTAFORMA

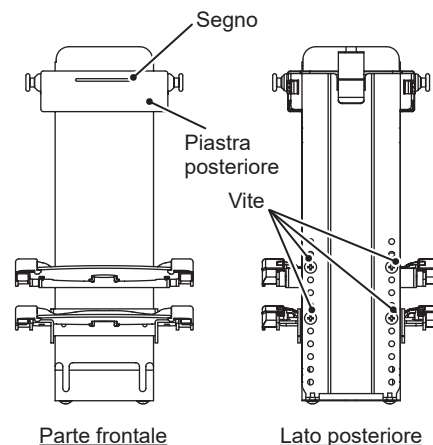
Le posizioni della piattaforma superiore e di quella inferiore possono essere regolate per consentire l'utilizzo di boccali di due altezze diverse. Inoltre, la guida può essere spostata in avanti o indietro in base alla forma del boccale.

1) L'unità della piattaforma presenta i componenti illustrati a destra.

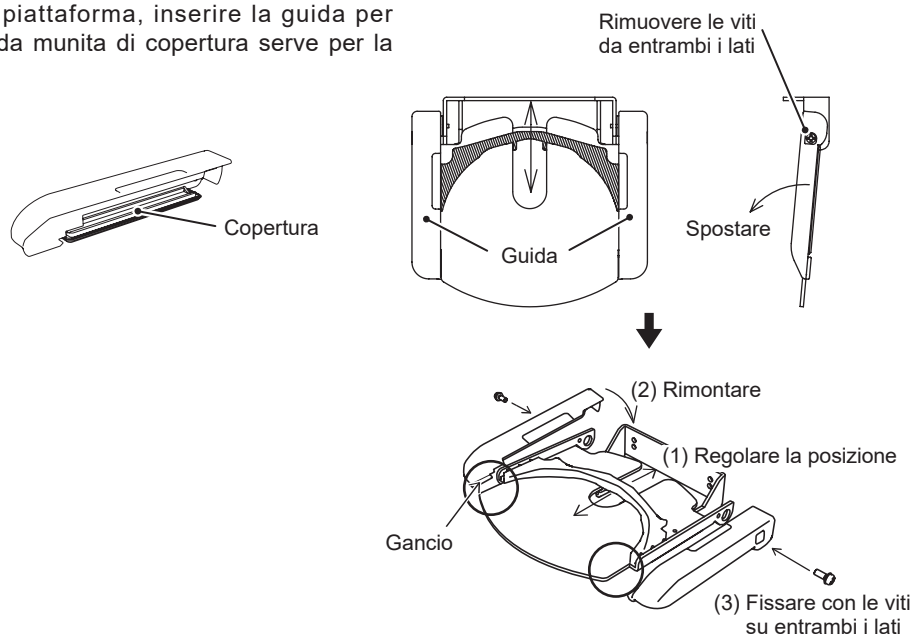


2) Spostare la piattaforma nella posizione desiderata e fissarla con le viti.

La posizione della piattaforma superiore può essere regolata tra i livelli 1 e 7 della piastra del boccale, mentre la posizione della piattaforma inferiore può essere regolata tra i livelli 4 e 12. Quando il boccale è sulla piattaforma, il suo bordo superiore deve trovarsi in corrispondenza del segno presente sulla piastra posteriore. (Le altezze del boccale e le posizioni della piattaforma sono indicate nella tabella alla pagina seguente.)



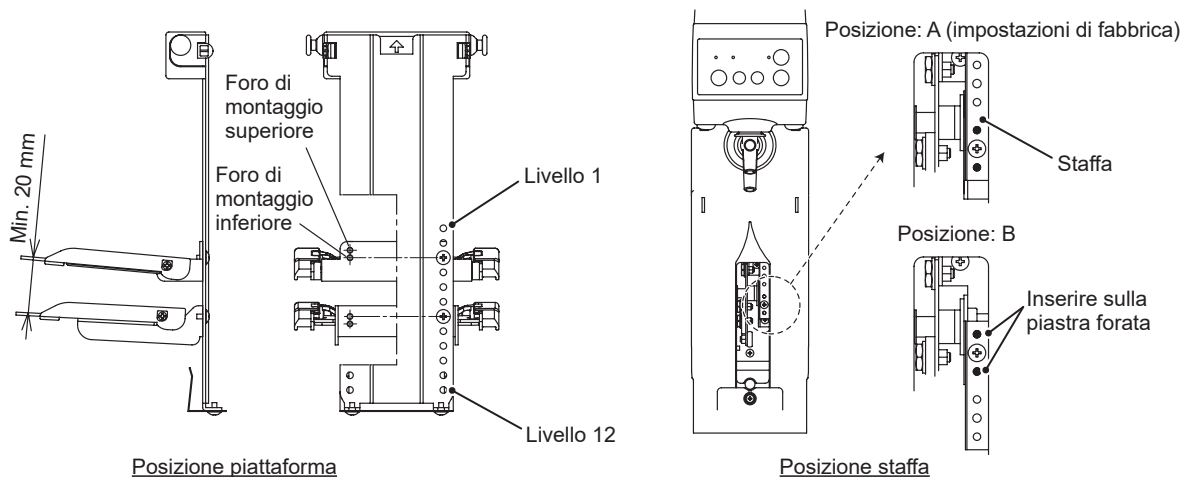
3) Dopo aver regolato le posizioni della piattaforma, inserire la guida per posizionare la base del boccale. La guida munita di copertura serve per la piattaforma superiore.



4) Reinscrivere le piattaforme nell'unità.

AVVISO

Quando si regola la posizione della piattaforma superiore, regolare anche la posizione della staffa come indicato nella tabella alla pagina seguente.



Livello piastra boccale	Piattaforma superiore			Piattaforma inferiore			
	Foro di montaggio	Altezza boccale (mm)	Posizione staffa	Foro di montaggio	Altezza boccale (mm)		
1	Inferiore	135	A	Non disponibile			
	Superiore	140					
2	Inferiore	145					
	Superiore	150					
3	Inferiore	155					
	Superiore	160					
4	Inferiore	165	B	Inferiore	155		
	Superiore	170		Superiore	160		
5	Inferiore	175		Inferiore	165		
	Superiore	180		Superiore	170		
6	Inferiore	185		Inferiore	175		
	Superiore	190		Superiore	180		
7	Inferiore	195		Inferiore	185		
	Superiore	200		Superiore	190		
8	Non disponibile			Inferiore	195		
9				Superiore	200		
				Inferiore	205		
10				Superiore	210		
				Inferiore	215		
11				Superiore	220		
				Inferiore	225		
12				Superiore	230		
				Inferiore	235		
						Superiore	240

Nota:
 1) Diametro boccale: da 50 mm di diametro interno fino a 105 mm di diametro esterno e di diametro del fondo
 2) Il boccale più grande deve essere almeno 20 mm più alto di quello più piccolo.

6. COLLEGAMENTI ELETTRICI

⚠AVVERTENZA

L'APPARECCHIATURA DEVE ESSERE COLLEGATA A MASSA

Lo spillatore deve essere collegato a massa conformemente alle norme elettriche nazionali e locali vigenti.

Per prevenire gravi lesioni da folgorazione alle persone o gravi danni all'unità, collegare allo spillatore un cavo di massa adeguato.

Scollegare la spina dalla presa elettrica di rete prima di eseguire qualsiasi intervento di manutenzione, riparazione o pulizia.

⚠ATTENZIONE

La variazione di tensione massima consentita è di $\pm 10\%$ della tensione nominale. L'utilizzo dell'unità al di fuori di questo intervallo può causare fumo, innescare fiamme, danneggiare l'unità o provocare cali di prestazioni.

* Questo apparecchio richiede un'alimentazione elettrica a parte. L'alimentazione elettrica deve essere protetta da un interruttore automatico adeguato.

* In genere è necessario ottenere un permesso e l'assistenza da parte di un elettricista autorizzato.

* Se il cavo di alimentazione è danneggiato, deve essere sostituito con un cavo nuovo fornito dal proprio rivenditore/fornitore.

7. CONNESSIONI DEL GAS E DEL CIRCUITO DELLA BIRRA

[a] BOMBOLA DI GAS CO₂

⚠AVVERTENZA

Utilizzare una bombola di gas CO₂ progettata per l'uso con la birra. Tutti gli altri tipi di bombole possono causare esplosioni o inquinare l'aria.

Quando la bombola di gas CO₂ viene spostata il tappo deve essere sempre chiuso. Evitare urti per prevenire il rischio di esplosioni o perdite di gas.

Tenere la bombola di gas CO₂ al riparo dai raggi diretti del sole e da temperature superiori ai 40 °C per evitare il rischio di surriscaldamento e di esplosione.

Per prevenire il rischio di perdite di gas, il regolatore deve essere munito di una guarnizione intatta. In caso contrario, contattare il punto vendita, il produttore della birra o il distributore per installare una nuova guarnizione.

Disporre la bombola di gas CO₂ in verticale e fissarla saldamente con la catenella accessoria per prevenire il rischio di ribaltamento e dunque di lesioni o esplosioni.

Non avvicinare il viso alla bombola di gas CO₂ mentre si soffia via lo sporco e la polvere dal giunto del regolatore. La polvere negli occhi può offuscare la vista.

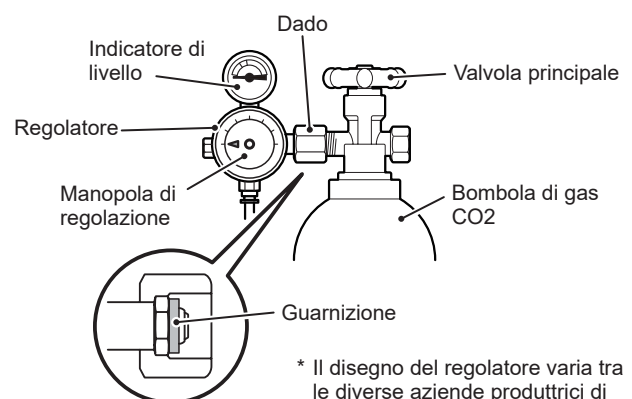
Maneggiare il regolatore con cautela per evitare possibili urti. In caso contrario potrebbero verificarsi dei malfunzionamenti, con conseguente rischio di esplosione del tubo o del fusto della birra.

Prima di aprire la valvola principale della bombola di gas CO₂ e prima di rimuovere l'innesto del fusto, impostare il regolatore a "0". In caso contrario, la repentina applicazione della pressione del gas nel fusto della birra potrebbe causare un'esplosione o far saltare via l'innesto del fusto.

1) Aprire per un secondo la valvola principale della nuova bombola di gas CO₂ per soffiare via dal giunto la polvere e lo sporco (unitamente al gas CO₂).

2) Controllare la guarnizione del regolatore. Se la guarnizione manca o è danneggiata, installarne una nuova. (Contattare il punto vendita, il produttore della birra o il distributore.)

3) Installare il regolatore sulla bombola di gas CO₂ fissandolo saldamente.



* Il disegno del regolatore varia tra le diverse aziende produttrici di birra.

AVVISO

Per prima cosa stringere il dado a mano, quindi continuare a stringere con la chiave accessoria in modo tale che l'indicatore di livello sia in verticale.

- 4) Aprire la valvola principale ruotandola in senso antiorario, quindi controllare il dado del regolatore per verificare eventuali perdite di gas (suono). In caso di perdite di gas, il dado potrebbe non essere serrato bene o la guarnizione potrebbe essere danneggiata o mancante.

Nota: per controllare l'eventuale presenza di perdite di gas, applicare sul giunto una spugna con del sapone. Se vi sono perdite di gas, si noterà la formazione di bolle.

[b] COLLEGAMENTI DEI TUBI

⚠ AVVERTENZA

Per prevenire il rischio di perdite di gas e di esplosione dei tubi, non utilizzare mai tubi diversi da quelli indicati dal produttore della birra.

Tagliare l'estremità del tubo in modo da avere un piano di taglio verticale e inserirla saldamente nel raccordo a innesto rapido per escludere il rischio di perdite.

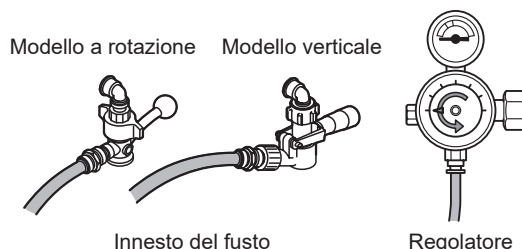
AVVISO

Non ricollegare i tubi senza averli prima tagliati di circa 20 mm.

Tagliare i tubi con un attrezzo apposito come un tagliatubi. Non utilizzare forbici, per evitare di schiacciare i tubi con il conseguente rischio di perdite.

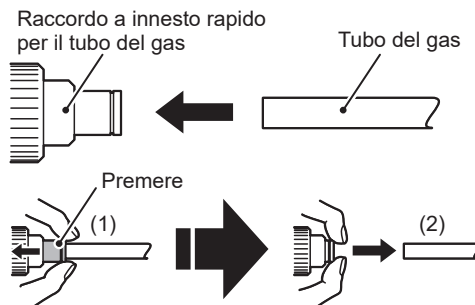
Tubo del gas CO2

- 1) Tagliare il tubo del gas CO2 in modo da avere un piano di taglio verticale e fare in modo che la lunghezza del tubo non superi 1,4 m.
- 2) Inserire saldamente il tubo del gas CO2 nel raccordo a innesto rapido posto sull'innesto del fusto e sul regolatore. Tirare il tubo con forza per verificare che i collegamenti siano ben saldi.



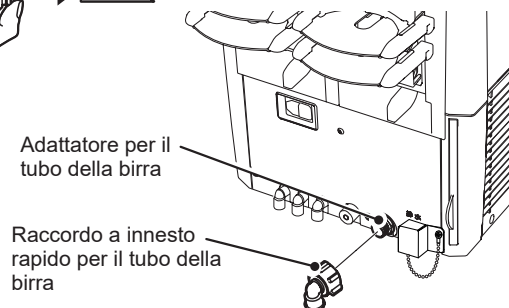
Raccordo a innesto rapido per il tubo del gas

- 1) Per collegare il tubo del gas CO2, spingerlo fino in fondo.
- 2) Per scollegare il tubo del gas CO2, premere e tenere ferma la parte (1) con le dita ed estrarre il tubo (2).

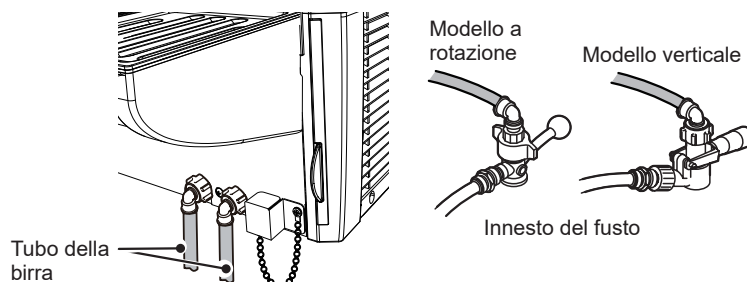


Tubo della birra

- 1) Collegare all'adattatore per il tubo della birra il raccordo a innesto rapido per il tubo della birra specificato dal produttore della birra.
- 2) Tagliare il tubo della birra in modo da avere un piano di taglio verticale e fare in modo che la lunghezza del tubo non superi 2,1 m.
- 3) Inserire saldamente il tubo della birra nell'innesto del fusto e nel raccordo a innesto rapido per il tubo della birra. Tirare il tubo con forza per verificare che i collegamenti siano ben saldi.



Nota: le modalità di collegamento e scollegamento del tubo della birra al/dal raccordo a innesto rapido per il tubo della birra dipendono dal produttore della birra.



[c] CONTROLLI DOPO I COLLEGAMENTI

1) Lavare a fondo il serbatoio di pulizia e riempirlo con acqua di rubinetto.

Nota: se il serbatoio di pulizia non è pulito, il circuito della birra verrà contaminato.

2) Ruotare in senso orario l'innesto del fusto per collegarlo al serbatoio di pulizia.

Nota: lavare il giunto tra l'innesto del fusto e il serbatoio di pulizia se presenta delle impurità.

3) Sollevare e rimuovere la piattaforma.

4) Disporre un secchio sul vassoio di scarico per raccogliere l'acqua usata per la pulizia.

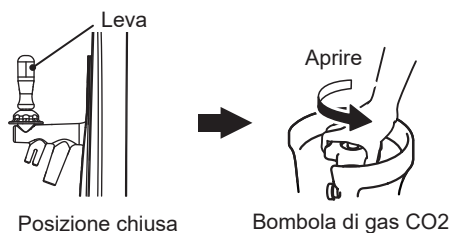
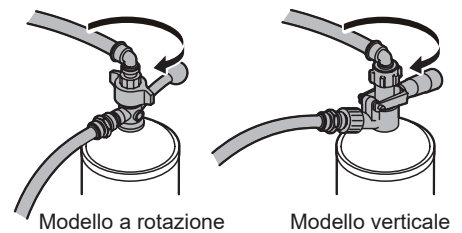
5) Controllare che la leva del rubinetto della birra sia chiusa (posizione normale). Aprire la valvola principale della bombola di gas CO₂ facendola ruotare di qualche giro in senso antiorario.

6) Ruotare la manopola del regolatore per impostare la pressione a "0,15" (MPa).

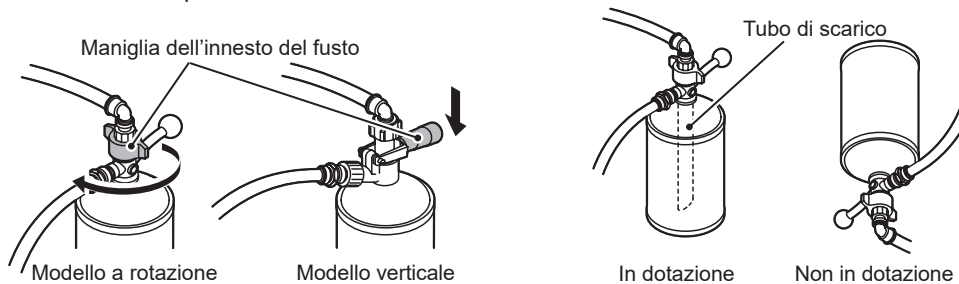
7) Aprire il circuito della birra.

Modello a rotazione: ruotare la maniglia dell'innesto del fusto in senso orario finché non si ferma.

Modello verticale: spingere verso il basso la maniglia dell'innesto del fusto fino a bloccarla.



Nota: se il serbatoio di pulizia è munito di un tubo di scarico, disporre il serbatoio con la boccola verso l'alto. In caso contrario disporre il serbatoio di pulizia con la boccola in basso.



8) Tirare la leva del rubinetto della birra verso di sé per far uscire l'acqua dall'ugello del liquido.

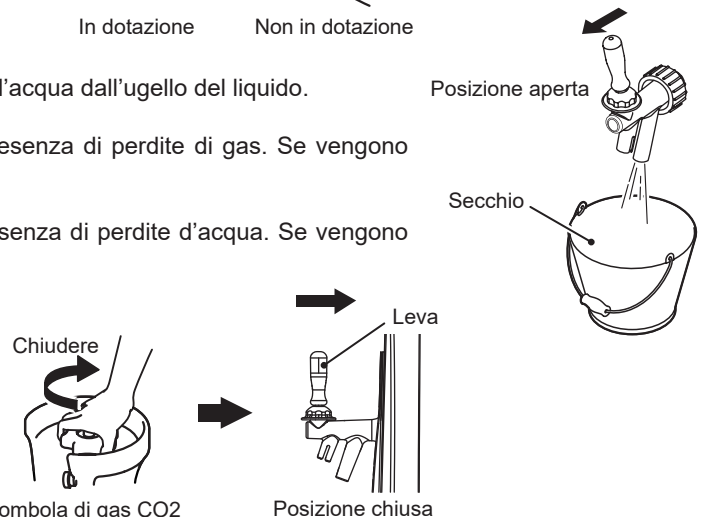
9) Controllare il circuito di gas CO₂ per verificare l'eventuale presenza di perdite di gas. Se vengono riscontrate delle perdite, rettificare i collegamenti dei tubi.

10) Controllare il circuito della birra per verificare l'eventuale presenza di perdite d'acqua. Se vengono riscontrate delle perdite, rettificare i collegamenti dei tubi.

11) Tenere la leva del rubinetto della birra in posizione aperta e ruotare la manopola del regolatore per impostare la pressione a "0" (MPa).

12) Chiudere la valvola principale della bombola di gas CO₂ facendola ruotare in senso orario.

13) Quando il gas CO₂ smette di fuoriuscire dall'ugello, premere la leva del rubinetto della birra per riportarla in posizione chiusa.



8. CONTROLLI DOPO L'INSTALLAZIONE

1) Riempire il serbatoio dell'acqua con l'acqua specificata. Vedere "II. 2. RIEMPIMENTO DEL SERBATOIO DELL'ACQUA".

2) Spurgare il circuito della birra e verificare l'eventuale presenza di perdite d'acqua. Vedere "III. 2. CIRCUITO DELLA BIRRA (TUTTI I GIORNI)".

3) Accertarsi che la tensione elettrica di alimentazione risponda ai requisiti.

4) Ricollegare l'unità alla rete elettrica.

* Accertarsi che l'unità di refrigerazione e il motore dell'agitatore si avviino.

(A basse temperature, il motore della ventola del condensatore potrebbe non avviarsi finché la temperatura del condensatore non aumenta.)

* Dopo un minimo di 8 e un massimo di 13 ore (a seconda della temperatura ambiente/dell'acqua), aprire la copertura superiore e verificare che nel serbatoio dell'acqua sia presente il ghiaccio.

5) Illustrare all'utente le modalità di utilizzo dell'unità.

6) Consegnare all'utente il presente manuale di istruzioni.

9. IMPOSTAZIONI DEL SENSORE DI FINE DISPONIBILITÀ ("U07")

Scegliere tra le quattro modalità in base al tipo di bevanda da erogare (ad es. birra, cocktail).

1) Abbassare l'unità del pannello di comando sul lato desiderato.

2) Tenere premuto il pulsante "set" nel pannello di comando finché nel display non compare "U01".

3) Utilizzare il pulsante "foam" o "liquid" finché nel display non compare "U07".

4) Premere il pulsante "set" per visualizzare il numero corrente sul display. Utilizzare il pulsante "foam" o "liquid" per scegliere il numero desiderato (come da tabella sottostante). Premere il pulsante "set" per impostare il numero lampeggiante.

N.	Impostazione
0	Impostazione A (perlopiù birra)
1	Impostazione B (perlopiù cocktail)
2	Impostazione C (perlopiù cocktail)
3	Impostazione D (opzionale)

Nota: il sensore di fine disponibilità è impostato di fabbrica su "0: impostazione A (perlopiù birra)". Le impostazioni dipendono dalla marca di bevanda da erogare. Rivolgersi al proprio rivenditore/fornitore.

5) Premere nuovamente il pulsante "set" finché sul display non compare "U07". Tenere premuto il pulsante "set" per più di 3 secondi per completare le impostazioni.

Nota: se non vengono svolte operazioni per più di 1 minuto, viene ripristinata la modalità erogazione. In tal caso, ritornare al passo 2) descritto sopra.

10. IMPOSTAZIONI UTENTE

Per configurare o modificare le impostazioni:

Tenere premuto il pulsante "set" per 3 secondi per accedere alla modalità impostazione (vedere "9. IMPOSTAZIONI DEL SENSORE DI FINE DISPONIBILITÀ ("U07)").

Per completare le impostazioni:

Quando sul display compare "U_ _", tenere premuto il pulsante "set" per 3 secondi per accedere alla modalità erogazione.

La modalità erogazione viene inoltre ripristinata quando non vengono svolte operazioni per più di 1 minuto.

Voce		Descrizione	Default	Gamma impostazione
U01	Display digitale (in modalità erogazione)	0: nessuna indicazione 1: numero di boccali (*) * Il numero passa dai boccali grandi a quelli piccoli quando si cambiano le impostazioni del boccale. * Per resettare, tenere premuto il pulsante "stop" per 3 secondi.	0	0 - 1

U02	Registro del numero di boccali	Registro del numero di boccali per ogni reset in ordine decrescente * Il registro è indicato a sua volta per ogni sostituzione del fusto con "U04". * Il registro è mostrato sia per i boccali grandi che per quelli piccoli quando si cambiano le impostazioni del boccale. * Per resettare tutti i registri correnti e passati, tenere premuto il pulsante "stop" per 3 secondi. Il reset non è conteggiato per "U04".	0	Fino a 5 registri
U03	Numero di cicli di spurgo	Numero di cicli di spurgo eseguiti * Un ciclo di spurgo viene eseguito con il pulsante "liquid" (10 secondi in totale) + pulsante "foam" (3 secondi in totale) in modalità spurgo, tranne quando durante il ciclo non vengono eseguite erogazioni automatiche. * Per resettare, tenere premuto il pulsante "stop" per 3 secondi.	0	0 - 9.999
U04	Numero di sostituzioni dei fusti (reset frequenza)	Reset frequenza del numero di boccali * La sostituzione del fusto è conteggiata ogni volta che il numero di fusti viene resettato mediante il pulsante "stop". * Per resettare, tenere premuto il pulsante "stop" per 3 secondi.	0	0 - 9.999
U05	Luminosità spia erogazione	Regolazione della luminosità della spia di erogazione	6	1 - 8
U06	Durata del lampeggio della spia di erogazione	Regolazione della durata del lampeggio della spia di erogazione una volta terminata l'erogazione * La spia di erogazione lampeggia per evitare che venga posizionato un nuovo boccale mentre la schiuma sta ancora gocciolando. * Mentre la spia lampeggia, non è possibile eseguire un'erogazione automatica.	1	0 - 10
U07	Sensore di fine disponibilità	0: impostazione A (perlopiù birra) / soglia: 2,2 V 1: impostazione B (perlopiù cocktail) / soglia: 2,5 V 2: impostazione C (perlopiù cocktail) / soglia: 2,8 V 3: impostazione D (opzionale) / soglia: opzionale * Le impostazioni dipendono dalla marca di bevanda da erogare. Rivolgersi al proprio rivenditore/fornitore.	0	0 - 3
U08	Impostazione modalità self	0: no 1: sì (i pulsanti non sono disponibili, tranne quelli di erogazione/stop) * La modalità self viene resettata quando si seleziona la modalità erogazione manuale (sollevando l'unità del pannello di comando). Per ripristinare la modalità self, passare alla modalità erogazione automatica (abbassando l'unità del pannello di comando) e premere il pulsante di erogazione.	0	0 - 1
U09	Inclinazione boccale	0: sì (il boccale viene inclinato durante l'erogazione della birra) 1: no (il boccale viene mantenuto verticale durante l'erogazione della birra)	0	0 - 1
U10	Reset del numero di boccali	0: manuale 1: no (in caso di intervento del sensore di fine disponibilità) * Per resettare manualmente, tenere premuto il pulsante "stop" per 3 secondi.	0	0 - 1
U90	Reset impostazioni	Inizializzazione solo delle impostazioni utente * Per inizializzare, tenere premuto il pulsante "stop" per 3 secondi mentre sul display compare "1". * Quando le impostazioni vengono aggiornate, sul display compare "U90". Se non vengono effettuati aggiornamenti, comparirà nuovamente "0".	0	0 - 1

II. ISTRUZIONI DI FUNZIONAMENTO

1. PULIZIA DEL CIRCUITO DELLA BIRRA

Il circuito della birra viene pulito prima della spedizione, ma è comunque necessario pulirlo nuovamente prima dell'uso. Vedere "III. 2. CIRCUITO DELLA BIRRA (TUTTI I GIORNI)".

Verificare che i componenti siano installati nella posizione corretta. Vedere "I. 1. STRUTTURA".

2. RIEMPIMENTO DEL SERBATOIO DELL'ACQUA

AVVISO

Riempire il serbatoio dell'acqua solo con l'acqua specificata. L'uso di qualsiasi altra acqua o miscela con sale, aceto o succo può causare un insufficiente accumulo di ghiaccio, fenomeni di corrosione e perforazioni.

[a] COME PREPARARE L'ACQUA DI RAFFREDDAMENTO

IMPORTANTE

Leggere attentamente quanto segue prima di riempire il serbatoio dell'acqua.

Conduttività elettrica (C.E.) dell'acqua di raffreddamento del serbatoio dell'acqua

Non usare acqua di rubinetto.

Riempire il serbatoio dell'acqua con acqua con una C.E. di 100-300 $\mu\text{S}/\text{cm}$.

Misurare la conduttività elettrica con un misuratore di conducibilità.

* C.E. Proprietà fisica che consiste nel mostrare la capacità di condurre l'elettricità.

Unità di misura: μS (microsiemens)/cm

Inferiore a 100 $\mu\text{S}/\text{cm}$:

Il compressore potrebbe non funzionare, con una conseguente scarsa capacità di raffreddamento.

Superiore a 300 $\mu\text{S}/\text{cm}$:

Sull'evaporatore potrebbe accumularsi una quantità eccessiva di ghiaccio, che potrebbe ghiacciare la birra all'interno della bobina e impedire la corretta erogazione della birra stessa.

Come portare l'acqua di raffreddamento su un valore C.E compreso fra 100 e 300 $\mu\text{S}/\text{cm}$

La capacità del serbatoio dell'acqua di questa unità è pari a circa 30 L.

Per preparare l'acqua di raffreddamento, sciogliere 5 g di bicarbonato di sodio puro in circa 10 L di acqua distillata e in seguito aggiungere circa 20 L di acqua distillata per riempire il serbatoio dell'acqua.

Passo 1

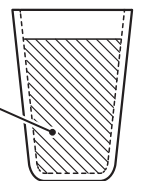
Misurare 5 g di bicarbonato di sodio puro con il tappo per ugello (accessorio).

Passo 2

Riempire un secchio con circa 10 L di acqua distillata e mescolare bene dopo aver aggiunto i 5 g di bicarbonato di sodio misurati nel passo 1.

Risciacquare il tappo per ugello dopo l'uso.

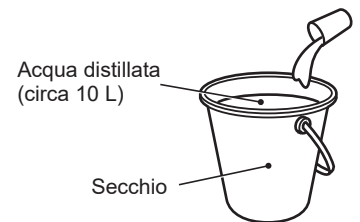
Tappo per ugello



Tappo per ugello 5/6 (5 g)

Acqua distillata (circa 10 L)

Secchio



[b] APPROVVIGIONAMENTO DELL'ACQUA DI RAFFREDDAMENTO

⚠ AVVERTENZA

Prima di riempire il serbatoio dell'acqua, spegnere l'interruttore (interruttore di dispersione a terra) e scollegare l'unità dalla rete elettrica.

AVVISO

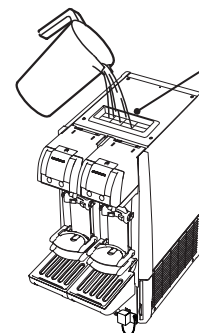
Non schizzare acqua sui componenti elettrici.

Non riempire il serbatoio dell'acqua al di sopra della linea che indica il livello d'acqua, altrimenti il vassoio di scarico traboccherà facendo rovesciare l'acqua.

- 1) Rimuovere la copertura superiore.
- 2) Versare il secchio con l'acqua di raffreddamento preparata (circa 10 L).
- 3) Riempire il serbatoio dell'acqua con circa 20 L di acqua distillata fino alla linea segnata all'interno del serbatoio stesso.
- 4) Usare un misuratore di conducibilità per determinare la conducibilità elettrica.
- 5) Chiudere la copertura superiore.

Water level at installation

Serbatoio dell'acqua



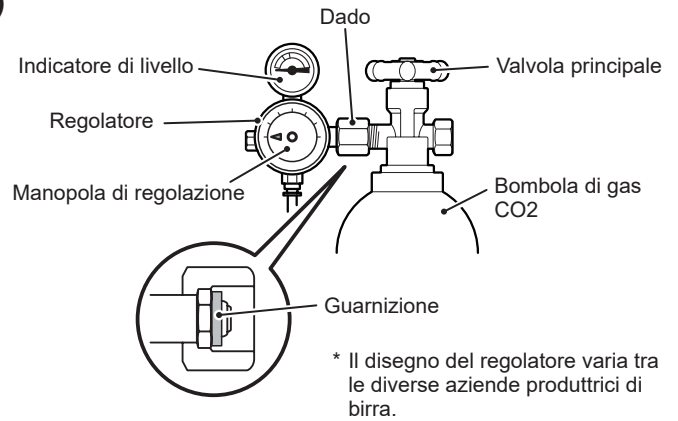
3. CONTROLLI PRIMA DELL'USO (TUTTI I GIORNI)

[a] CONTROLLO DELLA BOMBOLA DI GAS CO₂

Aprire la valvola principale della bombola di gas CO₂ e controllare la pressione del gas utilizzando l'indicatore di livello del regolatore:

* Se l'indicatore di livello non segna più di 3 MPa o segna un valore nella zona gialla, significa che la bombola contiene poco gas CO₂.

* Se l'indicatore di livello non segna più di 1 MPa o segna un valore nella zona rossa, sostituire la bombola.



[b] SOSTITUZIONE DELLA BOMBOLA DI GAS CO₂

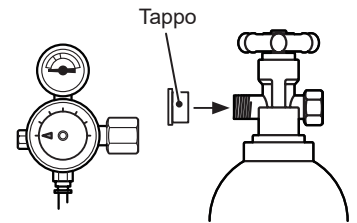
- 1) Chiudere la valvola principale della bombola di gas CO₂ facendola ruotare in senso orario.
- 2) Ruotare la manopola del regolatore per impostare la pressione a "0" (MPa).
- 3) Usare la chiave (accessoria) per allentare il dado e rimuovere il regolatore dalla bombola di gas CO₂.

Nota: accertarsi di tappare la bombola di gas CO₂.

- 4) Aprire per un secondo la valvola principale della nuova bombola di gas CO₂ per soffiare via dal giunto la polvere e lo sporco (unitamente al gas CO₂).

- 5) Controllare la guarnizione del regolatore. Se la guarnizione manca o è danneggiata, installarne una nuova. (Contattare il punto vendita, il produttore della birra o il distributore.)

- 6) Installare saldamente il regolatore sulla bombola di gas CO₂.



AVVISO

Per prima cosa stringere il dado a mano, quindi continuare a stringere con la chiave accessoria in modo tale che l'indicatore di livello sia in verticale.

- 7) Aprire la valvola principale ruotandola in senso antiorario, quindi controllare il dado del regolatore per verificare eventuali perdite di gas (suono). In caso di perdite di gas, il dado potrebbe non essere serrato bene o la guarnizione potrebbe essere danneggiata o mancante.

Nota: per controllare l'eventuale presenza di perdite di gas, applicare sul giunto una spugna con del sapone. Se vi sono perdite di gas, si noterà la formazione di bolle.

- 8) Ruotare la manopola del regolatore per impostare la pressione a un valore adeguato come indicato sotto.

AVVERTENZA

La pressione del gas CO₂ del fusto di birra non deve superare 0,37 MPa. In caso contrario, il tubo o il fusto della birra potrebbero esplodere con conseguente rischio di lesioni.

La pressione del gas CO₂ nel fusto della birra impedisce al CO₂ di separarsi dalla birra. Maggiore è la temperatura del fusto di birra, maggiore è la tendenza del CO₂ a separarsi, e maggiore sarà quindi la pressione del gas richiesta.

Temperatura del fusto di birra	Pressione del gas
10 °C	0,20 MPa (scala 2)
20 °C	0,22 MPa (scala 2,2)
30 °C	0,32 MPa (scala 3,2)

Nota: i valori fungono esclusivamente da riferimento. Impostare la pressione specificata dal produttore della birra.

[c] CONTROLLO DEL FUSTO DELLA BIRRA

Se si accende la spia "sold out" e l'erogazione di birra si interrompe, sostituire il fusto della birra.
Non conservare in frigo un fusto di birra aperto. Conservare comunque a una temperatura inferiore ai 30 °C.

[d] SOSTITUZIONE DEL FUSTO DELLA BIRRA

⚠AVVERTENZA

Non allentare la boccola sul fusto della birra. In tal caso infatti la pressione interna potrebbe far saltare via la boccola, con conseguente rischio di lesioni.

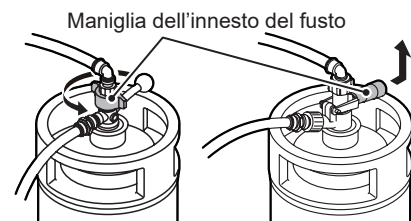
Maneggiare il fusto della birra con cautela per evitare vibrazioni. Non scuotere né far rotolare il fusto della birra per evitare un'eccessiva formazione di schiuma.



1) Chiudere il circuito della birra.

Modello a rotazione: ruotare la maniglia dell'innesto del fusto in senso antiorario finché non si ferma.

Modello verticale: sbloccare e sollevare completamente la maniglia dell'innesto del fusto.

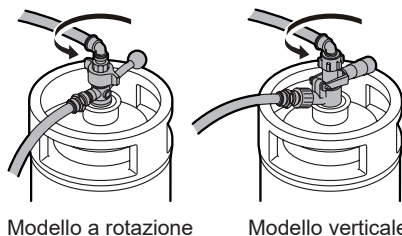


Modello a rotazione

Modello verticale

2) Ruotare la manopola del regolatore per impostare la pressione a "0" (MPa).

3) Ruotare in senso antiorario l'innesto del fusto per rimuoverlo dal fusto stesso.

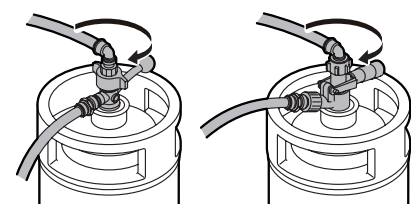


Modello a rotazione

Modello verticale

4) Ruotare in senso orario l'innesto del fusto per collegarlo al nuovo fusto.

Nota: lavare il giunto tra l'innesto del fusto e il fusto della birra se presenta delle impurità.



Modello a rotazione

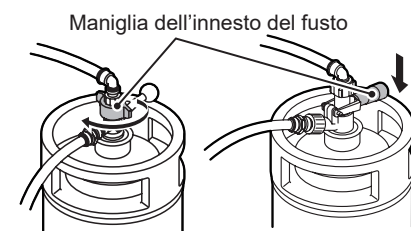
Modello verticale

5) Ruotare la manopola del regolatore fino al livello di pressione del gas appropriato in funzione della temperatura del fusto di birra. Vedere "[b] SOSTITUZIONE DELLA BOMBOLA DI GAS CO2".

6) Aprire il circuito della birra.

Modello a rotazione: ruotare la maniglia dell'innesto del fusto in senso orario finché non si ferma.

Modello verticale: spingere verso il basso la maniglia dell'innesto del fusto fino a bloccarla.



Modello a rotazione

Modello verticale

7) Prima di erogare la birra, portare la birra fino al rubinetto come indicato nella sezione "4. [b] FAR ARRIVARE LA BIRRA AL RUBINETTO".

4. AVVIO

▲AVVERTENZA

In caso di perdita di gas, chiudere l'alimentazione principale del gas e ventilare il locale. Per evitare la formazione di scintille e il conseguente rischio di incendi ed esplosioni, non scollegare l'unità dalla rete elettrica.

Non utilizzare spray combustibili e non disporre sostanze volatili e infiammabili vicino all'unità. Tali sostanze potrebbero prendere fuoco a causa delle scintille.

Se viene interrotta l'alimentazione, rivolgersi al proprio rivenditore/fornitore. Per evitare rischi di folgorazioni o incendi, non ripristinare l'alimentazione.

In caso di problemi, scollegare l'unità dalla rete elettrica o staccare l'interruttore generale, quindi contattare immediatamente il proprio rivenditore/fornitore. Per evitare rischi di folgorazioni o incendi, non mantenere l'unità in funzione.

- 1) Collegare l'unità alla rete elettrica.
- 2) L'unità di refrigerazione e il motore dell'agitatore si avviano.

IMPORTANTE

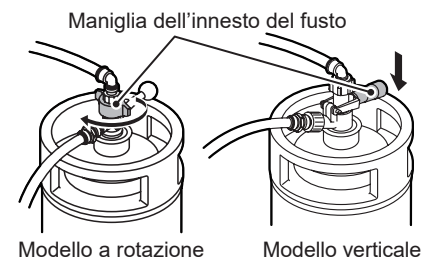
Dalla messa in servizio al completo accumulo di ghiaccio nel serbatoio dell'acqua, servono dalle 8 alle 13 ore circa. La birra erogata potrebbe non essere sufficientemente fredda fin quando la produzione di ghiaccio non è terminata.

[a] CAMBIO DI MODALITÀ

Ogni volta che sul pannello di comando viene premuto il pulsante "flush", l'unità cambia dalla modalità pronto per l'uso alla modalità spurgo. In modalità pronto per l'uso, la spia di erogazione si accende. In modalità spurgo, la spia "flush" si accende.

[b] FAR ARRIVARE LA BIRRA AL RUBINETTO

- 1) Controllare che la manopola del regolatore sia impostata sulla pressione adeguata specificata dal produttore della birra.
- 2) Aprire il circuito della birra.
Modello a rotazione: ruotare la maniglia dell'innesto del fusto in senso orario finché non si ferma.
Modello verticale: spingere verso il basso la maniglia dell'innesto del fusto fino a bloccarla.



- 3) Disporre un boccale sulla piattaforma.
- 4) Tenere premuto il pulsante "foam" per spurgare l'aria dal circuito della birra attraverso l'ugello della schiuma. Lasciare il pulsante "foam" quando tutta l'aria è stata spurgata e fuoriesce un flusso uniforme di schiuma. Quando la birra raggiunge il sensore di fine disponibilità, si spegne la spia "sold out" e si accende la spia "ready".
- 5) Premere il pulsante "liquid" per verificare che venga erogata birra limpida. Lasciare il pulsante "liquid" per interrompere il flusso di birra.

IMPORTANTE

Se per spurgare l'aria dal circuito della birra viene utilizzato l'ugello del liquido, il liquido schizzerà fuori insieme al gas. Quando si collega o si sostituisce un fusto della birra, utilizzare sempre l'ugello della schiuma per spurgare l'aria.

5. IMPOSTAZIONE DELLE QUANTITÀ DI LIQUIDO E SCHIUMA

▲ATTENZIONE

Per ridurre il rischio di lesioni, non mettere mai le dita dietro la piattaforma quando quest'ultima è in movimento.

IMPORTANTE

Le quantità di liquido e schiuma possono essere regolate controllando visivamente la birra erogata e utilizzando il pulsante. Le quantità impostate variano in base alla pressione del gas CO₂. È necessario effettuare una nuova regolazione ogni volta che la pressione del gas CO₂ viene cambiata.

L'impostazione è disponibile per qualsiasi coppia di dimensioni dei boccali. Disporre il boccale più grande sulla piattaforma inferiore e quello più piccolo sulla piattaforma superiore. Il boccale più grande deve essere almeno 2 cm più alto di quello più piccolo.

L'erogazione automatica è progettata per boccali di vetro standard. Per evitare un'eccessiva formazione di schiuma, non utilizzare bicchieri di carta o boccali in ceramica.

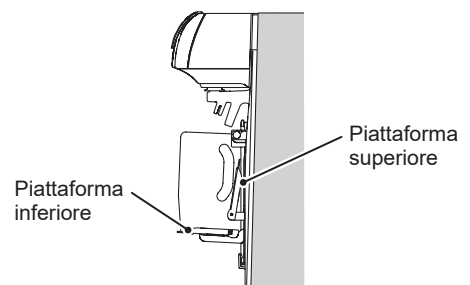
Le quantità impostate possono variare in base alla temperatura ambiente, alla temperatura del fusto di birra, alle condizioni di utilizzo e al livello di birra rimanente.

La tolleranza per le quantità impostate è di circa 30 mL per boccale da 400 ml. La pressione del gas CO₂ deve essere regolata in base alla temperatura del fusto di birra. Le quantità impostate possono variare in base alle prestazioni del regolatore che controlla la pressione del gas CO₂. Se le quantità impostate variano eccessivamente, è necessario sostituire il regolatore.

Svuotare il vassoio di scarico frequentemente per evitare che il liquido trabocchi sul pavimento. L'acqua di raffreddamento presente nel serbatoio assorbe umidità dall'aria, quindi fuoriesce dal tubo di troppopieno e viene raccolta nel vassoio di scarico.

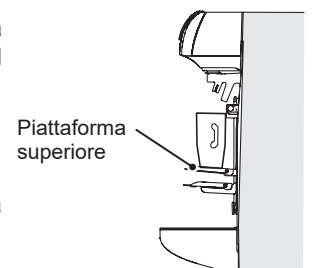
[a] IMPOSTAZIONE BOCCALE GRANDE

- 1) Piegare verso l'alto la piattaforma superiore (accessoria). Disporre un boccale pulito sulla piattaforma inferiore (accessoria) con la parte posteriore contro la parete.
- 2) Premere il pulsante "set". La spia "set" si accende e la spia di erogazione lampeggia.
- 3) Tenere premuto il pulsante di erogazione per sollevare la piattaforma a un angolo di 40 gradi.
- 4) Mentre si preme il pulsante di erogazione, tenere premuto il pulsante "liquid". Quando è stata erogata la quantità di liquido desiderata, lasciare solo il pulsante "liquid". La piattaforma è inclinata a un determinato angolo.
- 5) Mentre si preme il pulsante di erogazione, stabilire come spostare la piattaforma alla sua posizione originaria.
Per muovere la piattaforma durante l'erogazione di liquido, tenere premuto il pulsante "liquid" per la durata di erogazione desiderata.
Per muovere la piattaforma senza erogare liquido, premere il pulsante "stop".
- 6) [Se non è richiesta schiuma, saltare il passo 6) e passare al 7).]
Mentre si preme il pulsante di erogazione, tenere premuto il pulsante "foam". Quando è stata erogata la quantità di schiuma desiderata, lasciare solo il pulsante "foam". Per aggiungere altra schiuma, premere nuovamente il pulsante "foam".
- 7) Lasciare il pulsante di erogazione per completare l'impostazione del boccale grande. La spia "set" si spegne, mentre la spia di erogazione smette di lampeggiare e rimane fissa. Se il completamento delle impostazioni non va a buon fine, tornare al passo 2).



[b] IMPOSTAZIONE BOCCALE PICCOLO

- 1) Piegare verso il basso la piattaforma superiore. Disporre un boccale pulito sulla piattaforma superiore con la parte posteriore contro la parete.
- 2) Vedere i passi dal 2) al 7) in "[a] IMPOSTAZIONE BOCCALE GRANDE".



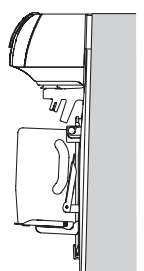
6. EROGAZIONE

IMPORTANTE

Servire la birra nel rispetto delle disposizioni vigenti a livello locale.

[a] EROGAZIONE AUTOMATICA

- 1) Controllare che il rubinetto della birra non stia gocciolando. Disporre un boccale pulito sulla stessa piattaforma utilizzata per l'impostazione.



- 2) Premere il pulsante di erogazione. L'unità erogherà automaticamente la quantità impostata di liquido e schiuma.

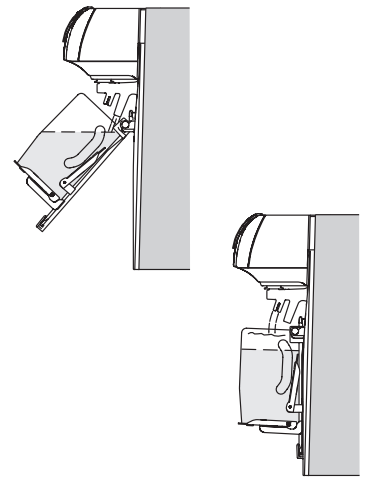
IMPORTANTE

L'operazione di inclinazione del boccale è impostata in fabbrica su "0: sì" (il boccale viene inclinato durante l'erogazione della birra).

- 3) Per aggiungere altra schiuma, tenere premuto il pulsante "foam" finché non viene erogata la quantità di schiuma desiderata.

IMPORTANTE

Disporre un boccale sulla piattaforma dopo che dal rubinetto della birra è uscita tutta la schiuma rimanente.



[b] INTERRUZIONE DELL'EROGAZIONE AUTOMATICA

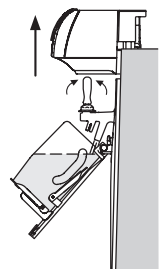
IMPORTANTE

Se durante l'erogazione si verifica un calo di corrente mentre l'unità del pannello di comando è sollevata, quando l'alimentazione elettrica viene ripristinata non forzarla verso il basso, ma contattare il proprio rivenditore/fornitore.

Se sul display compare un codice di errore (E_ _), spegnere e riaccendere l'alimentazione elettrica. Se il display continua a mostrare il codice di errore, contattare il proprio rivenditore/fornitore.

Per interrompere l'erogazione automatica a processo non ancora terminato:

- 1) Premere il pulsante "stop". La piattaforma si fermerà nella posizione in cui si trova. Se il pulsante "stop" viene premuto nuovamente, la piattaforma tornerà alla posizione originaria.
- 2) Se l'erogazione non si interrompe premendo il pulsante "stop", sollevare l'unità del pannello di comando. La leva del rubinetto della birra fuoriuscirà dall'unità del pannello di comando per poi ritornare nella posizione chiusa. Se la birra continua a scorrere, muovere la leva avanti e indietro.



⚠ATTENZIONE

Per ridurre il rischio di lesioni, non mettere le dita nell'apertura inferiore dell'unità del pannello di comando mentre è sollevata.

- 3) Chiudere l'innesto collegato al fusto stesso. Vedere "Il. 3. [d] SOSTITUZIONE DEL FUSTO DELLA BIRRA".

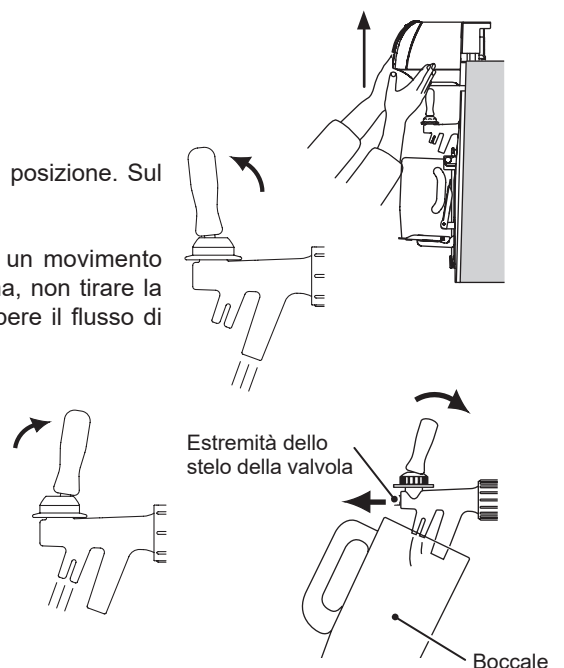
Per interrompere l'erogazione automatica in caso di errore o calo di corrente:

Seguire i passi 2) e 3) indicati sopra.

[c] EROGAZIONE MANUALE

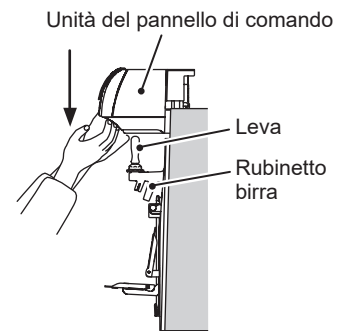
- 1) Sollevare l'unità del pannello di comando lentamente finché non si blocca in posizione. Sul display comparirà "OFF".
- 2) Per erogare la birra, tirare verso di sé la leva del rubinetto della birra con un movimento rapido finché non si blocca. Per evitare una formazione eccessiva di schiuma, non tirare la leva lentamente e non fermarla a metà corsa. Lasciare la leva per interrompere il flusso di birra.
- 3) Per erogare la schiuma, spingere la leva del rubinetto della birra con un movimento rapido finché non si blocca. Per evitare di erogare schiuma liquida, non fermare la leva a metà corsa. Lasciare la leva per interrompere il flusso di schiuma.

Nota: quando durante l'erogazione manuale la leva del rubinetto della birra viene spinta, l'estremità dello stelo della valvola fuoriesce. Fare attenzione a non urtare il boccale sullo stelo.

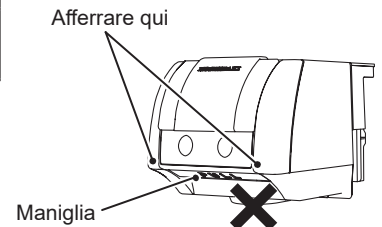


[d] PASSAGGIO ALLA MODALITÀ EROGAZIONE AUTOMATICA

- 1) Tenere fermo il fondo dell'unità del pannello di comando e tirare verso di sé la maniglia frontale per sbloccare.
- 2) Spingere verso il basso l'unità del pannello di comando finché non si ferma per coprire la leva del rubinetto della birra. La spia di erogazione si accende.



ATTENZIONE
Per evitare il rischio di lesioni, tirare verso il basso l'unità del pannello di comando dalla superficie curva sul davanti, e non dalla parte segnata con una croce.
Per evitare possibili danni, non forzare l'unità del pannello di comando verso il basso senza prima sbloccare la maniglia.



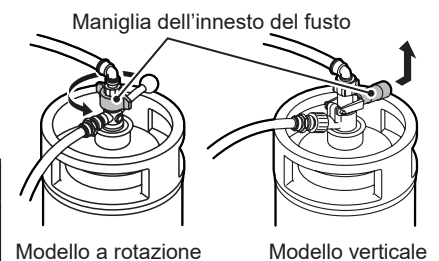
7. SENSORE DI FINE DISPONIBILITÀ

Quando il fusto della birra si svuota, l'unità rileva automaticamente lo svuotamento e interrompe l'erogazione. La spia "sold out" si accende e il pulsante di erogazione non è più utilizzabile.

IMPORTANTE
Il sensore di fine disponibilità è impostato in fabbrica su "0: impostazione A (perlopiù birra)".
In modalità erogazione manuale, l'unità continua ad erogare anche se si accende la spia "sold out". Fare attenzione al livello del fusto durante l'erogazione della birra.
Quando la spia "sold out" si accende, sostituire il fusto della birra. Vedere "3. [d] SOSTITUZIONE DEL FUSTO DELLA BIRRA" e "4. [b] FAR ARRIVARE LA BIRRA AL RUBINETTO".

8. FINE DELL'EROGAZIONE

- 1) Chiudere il circuito della birra.
 - Modello a rotazione: ruotare la maniglia dell'innesto del fusto in senso antiorario finché non si ferma.
 - Modello verticale: sbloccare e sollevare completamente la maniglia dell'innesto del fusto.



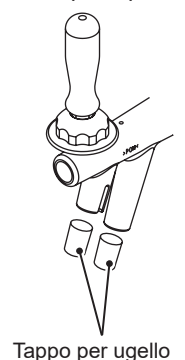
IMPORTANTE
Quando l'innesto del fusto situato sul fusto è chiuso, all'interno del circuito della birra può esserci del gas. Per evitare una produzione eccessiva di schiuma o un'erogazione errata, riempire di birra il circuito fino a far fuoriuscire il gas dal rubinetto della birra prima di avviare il funzionamento il giorno successivo. Vedere "4. [b] FAR ARRIVARE LA BIRRA AL RUBINETTO".

- 2) Spurgare il circuito della birra come indicato nella sezione "III. 2. CIRCUITO DELLA BIRRA (TUTTI I GIORNI)".
- 3) Ruotare la manopola del regolatore per impostare la pressione a "0" (MPa).
- 4) Chiudere la valvola principale della bombola di gas CO2 facendola ruotare in senso orario.

Nota: per prevenire un'eccessiva immissione di CO2 nel fusto della birra, assicurarsi sempre di chiudere la valvola principale della bombola di gas CO2 al termine dell'erogazione.

- 5) Eliminare con un panno l'umidità dall'estremità degli ugelli del rubinetto della birra. Pulire e collegare i tappi per ugello (accessori).

Nota: al termine dell'erogazione o durante periodi di inutilizzo, collegare sempre i tappi per ugello accessori per impedire agli insetti e alla sporcizia di penetrare negli ugelli del rubinetto della birra.



9. SPEGNIMENTO

[a] SPEGNIMENTO

1) Controllare che l'innesto del fusto sia chiuso. Vedere "8. FINE DELL'EROGAZIONE".

Nota: se l'innesto del fusto è aperto, il pavimento potrebbe bagnarsi a seguito di possibili perdite di birra.

2) Scollegare l'unità dalla rete elettrica. L'unità di refrigerazione e il motore dell'agitatore si arrestano.

[b] SVUOTAMENTO DEL SERBATOIO DELL'ACQUA

⚠️ IGIENE

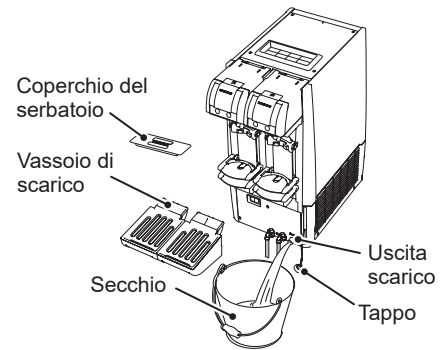
Se si spegne lo spillatore per più di una settimana, scaricare il serbatoio dell'acqua per prevenire la contaminazione dell'acqua.

Nota: servono alcuni giorni dopo lo spegnimento affinché il ghiaccio contenuto nel serbatoio dell'acqua si scioglia. Prima di svuotare il serbatoio dell'acqua spegnere l'unità e verificare che il ghiaccio nel serbatoio dell'acqua si sia sciolto. In caso contrario il serbatoio non potrà essere completamente svuotato.

1) Rimuovere il vassoio di scarico (accessorio). Vedere "III. 3. VASSOIO DI SCARICO E GRIGLIA (TUTTI I GIORNI)".

2) Disporre un secchio da almeno 35 L davanti all'unità. Togliere il tappo dallo scarico per svuotare il serbatoio dell'acqua.

3) Dopo aver svuotato il serbatoio dell'acqua rimuovere la copertura superiore per asciugare l'interno del serbatoio.



III. MANUTENZIONE

⚠️ AVVERTENZA

Scollegare lo spillatore dalla rete elettrica prima di ogni operazione di pulizia o manutenzione.

Non pulire l'apparecchiatura mediante getto d'acqua.

AVVISO

Per evitare possibili danni, non pulire i componenti in plastica con acqua oltre i 40 °C né in lavastoviglie.

Utilizzare un detergente neutro per la manutenzione quotidiana e un tensioattivo cationico (cloruro di benzalconio) per la sanificazione.

Per evitare di danneggiare le superfici verniciate o in plastica, non usare solventi, benzina, alcol, petrolio, sapone in polvere, polvere per lucidatura, detersivi alcalini, acidi, spazzole dure e in particolare detersivi per ventole e piani cottura. Inoltre, per prevenire la corrosione, non utilizzare candeggina (ipoclorito di sodio).

In caso di utilizzo di salviette, attenersi alle istruzioni del produttore.

Utilizzare un panno pulito con le mani pulite.

In certi casi può essere richiesta una maggiore frequenza di pulizia.

⚠️ IGIENE

In caso di utilizzo di un tensioattivo cationico o ipoclorito di sodio, leggere attentamente e accertarsi di comprendere le istruzioni fornite per evitare potenziali conseguenze nocive per la salute.

Pulire ogni giorno al termine dell'erogazione il circuito della birra per prevenire contaminazioni.

Lavare le mani prima di maneggiare o pulire i componenti.

1. PULIZIA DI BASE

1) Lavarsi le mani.

- 2) Preparare dei panni puliti.
- 3) Scollegare l'unità dalla rete elettrica.
- 4) Miscelare circa 10 mL di soluzione al 10% di tensioattivo cationico (cloruro di benzalconio) in 1 L di acqua tiepida (da 30 a 40 °C). Bagnare un panno asciutto per pulire i componenti.
- 5) Dopo 3 minuti, eliminare ogni residuo di sapone utilizzando un panno bagnato con acqua fredda o tiepida. In seguito asciugare con un panno pulito.

IMPORTANTE

Eventuali residui di detergente possono danneggiare le superfici in metallo e in plastica.

Per eliminare gli accumuli di sporcizia, utilizzare un detergente neutro e risciacquare con acqua di rubinetto.

2. CIRCUITO DELLA BIRRA (TUTTI I GIORNI)

Per spurgare il circuito della birra, usare il serbatoio di pulizia specificato dal produttore della birra. Attenersi alle istruzioni fornite con il serbatoio di pulizia.

- 1) Premere il pulsante "flush" sul pannello di comando. Verificare che la spia "flush" si accenda.

- 2) Chiudere il circuito della birra.

Modello a rotazione: ruotare la maniglia dell'innesto del fusto in senso antiorario finché non si ferma.

Modello verticale: sbloccare e sollevare completamente la maniglia dell'innesto del fusto.



Modello a rotazione

Modello verticale

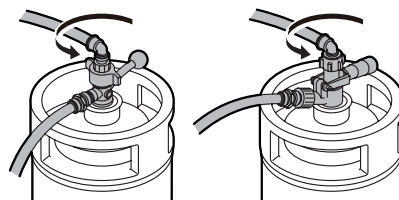
- 3) Ruotare la manopola del regolatore per impostare la pressione a "0" (MPa).

- 4) Chiudere la valvola principale della bombola di gas CO2 facendola ruotare in senso orario.

- 5) Premere il pulsante "liquid" per erogare la birra rimasta nel circuito.

- 6) Quando la birra smette di fuoriuscire, premere il pulsante "stop".

- 7) Ruotare in senso antiorario l'innesto del fusto per rimuoverlo dal fusto stesso.



Modello a rotazione

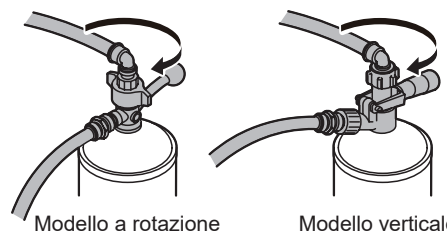
Modello verticale

- 8) Lavare a fondo il serbatoio di pulizia e riempirlo con acqua di rubinetto.

Nota: se il serbatoio di pulizia non è pulito, il circuito della birra verrà contaminato.

- 9) Ruotare in senso orario l'innesto del fusto per collegarlo al serbatoio di pulizia.

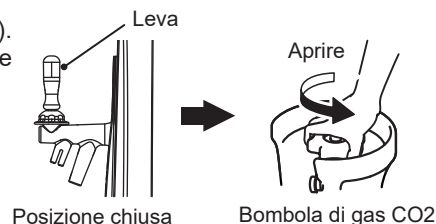
Nota: lavare il giunto tra l'innesto del fusto e il serbatoio di pulizia se presenta delle impurità.



Modello a rotazione

Modello verticale

- 10) Controllare che la leva del rubinetto della birra sia in posizione chiusa (normale).
Aprire la valvola principale della bombola di gas CO2 facendola ruotare di qualche giro in senso antiorario.



Posizione chiusa

Bombola di gas CO2

- 11) Ruotare la manopola del regolatore per impostare la pressione a "0,15" (MPa).

12) Aprire il circuito della birra.

Modello a rotazione: ruotare la maniglia dell'innesto del fusto in senso orario finché non si ferma.

Modello verticale: spingere verso il basso la maniglia dell'innesto del fusto fino a bloccarla.

Nota: se il serbatoio di pulizia è munito di un tubo di scarico, disporre il serbatoio con la boccola verso l'alto. In caso contrario disporre il serbatoio di pulizia con la boccola in basso.



13) Rimuovere le piattaforme e il vassoio di scarico e disporre un secchio sotto il rubinetto della birra.

14) Premere il pulsante "liquid" per erogare acqua dall'ugello del liquido. Ripetere l'operazione alcune volte finché l'acqua non smette di fuoriuscire.

Quindi premere il pulsante "foam" per erogare acqua dall'ugello della schiuma. Ripetere l'operazione alcune volte finché l'acqua non smette di fuoriuscire.

15) Quando l'acqua non esce più dall'ugello, tenere la leva del rubinetto della birra in posizione aperta e ruotare la manopola del regolatore per impostare la pressione a "0" (MPa).

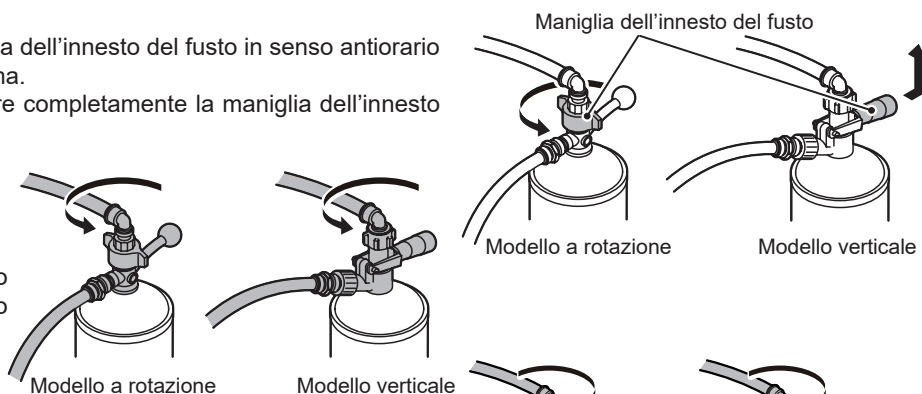
16) Chiudere la valvola principale della bombola di gas CO2 facendola ruotare in senso orario.

17) Quando dall'ugello smette di fuoriuscire il gas CO2, premere il pulsante "stop" per chiudere il rubinetto della birra.

18) Chiudere il circuito della birra.

Modello a rotazione: ruotare la maniglia dell'innesto del fusto in senso antiorario finché non si ferma.

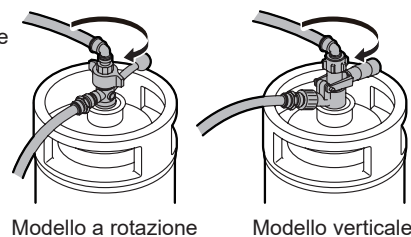
Modello verticale: sbloccare e sollevare completamente la maniglia dell'innesto del fusto.



19) Ruotare in senso antiorario l'innesto del fusto per rimuoverlo dal serbatoio di pulizia.

20) Ruotare in senso orario l'innesto del fusto per collegarlo al fusto stesso.

Nota: lavare il giunto tra l'innesto del fusto e il fusto della birra se presenta delle impurità.



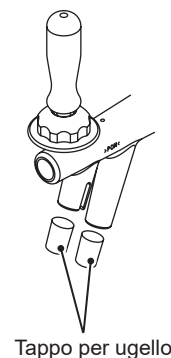
21) Lavare a fondo l'interno del serbatoio di pulizia, capovolgerlo per farlo asciugare, quindi chiuderlo bene con il tappo per lo stoccaggio.

22) Disporre la piattaforma sui bracci.

23) Premere il pulsante "flush" sul pannello di comando. Accertarsi che si spenga la spia "flush" e che si accenda la spia "sold out".

24) Eliminare con un panno l'umidità dall'estremità degli ugelli del rubinetto della birra. Pulire e collegare i tappi per ugello (accessori).

Nota: al termine dell'erogazione o durante periodi di inutilizzo, collegare sempre i tappi per ugello accessori per impedire agli insetti e alla sporcizia di penetrare negli ugelli del rubinetto della birra.



3. VASSOIO DI SCARICO E GRIGLIA (TUTTI I GIORNI)

1) Sollevare la parte frontale del vassoio di scarico ed estrarla tirandola verso di sé.

Nota: fare attenzione a non rovesciare acqua o birra nel vassoio di scarico.

2) Lavare la griglia e il vassoio di scarico con acqua di rubinetto.

3) Disporre la griglia sul vassoio di scarico e inserire saldamente quest'ultimo nel suo supporto.

4. PIATTAFORMA (TUTTI I GIORNI)

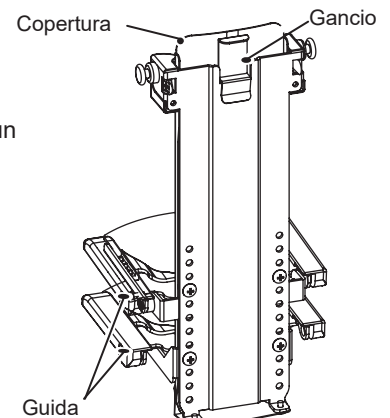
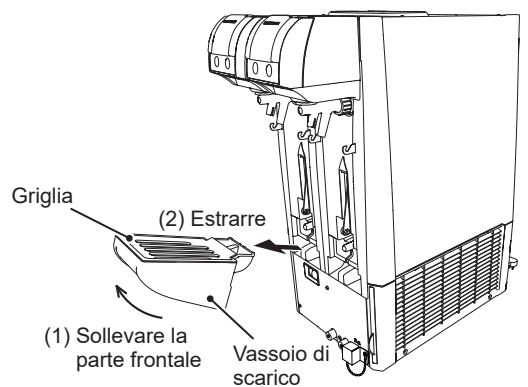
1) Sollevare leggermente la piattaforma dai bracci e rimuoverla.

2) Sollevare la copertura dalla piattaforma per rimuoverla.

3) Lavare la copertura e la piattaforma con acqua di rubinetto. Utilizzare acqua tiepida e un panno o una spugna per rimuovere la sporcizia accumulatasi negli interstizi.

4) Inserire la copertura nella piattaforma finché non si aggancia.

5) Reinscrivere la piattaforma sui bracci.



AVVISO

Maneggiare la piattaforma con cautela. Se viene fatta cadere e la si danneggia, la funzione di rilevamento della dimensione del boccale potrebbe non funzionare.

Se la piattaforma è danneggiata, rivolgersi al proprio rivenditore/fornitore.

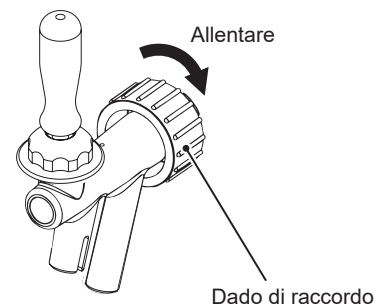
5. PULIZIA DEL CIRCUITO DELLA BIRRA CON LA SPUGNA (UNA VOLTA ALLA SETTIMANA)

Per spurgare il circuito della birra, usare il serbatoio di pulizia specificato dal produttore della birra. Attenersi alle istruzioni fornite con il serbatoio di pulizia.

1) Seguire i passaggi indicati in "2. CIRCUITO DELLA BIRRA (TUTTI I GIORNI)".

2) Sollevare l'unità del pannello di comando lentamente finché non si blocca in posizione.

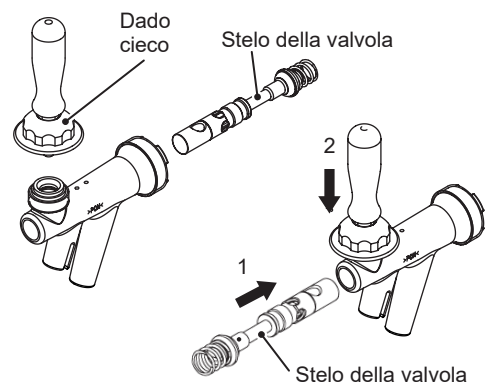
3) Ruotare in senso orario il dado di raccordo per rimuovere il rubinetto della birra.



AVVISO

Maneggiare il rubinetto della birra con cautela senza farlo cadere.

4) Allentare il dado cieco per smontare il rubinetto della birra. Inserire lo stelo della valvola nella direzione opposta, quindi serrare il dado cieco.



AVVISO

Collegare lo stelo della valvola nella direzione opposta per evitare che la spugna usata per la pulizia otturi il rubinetto della birra.

Maneggiare lo stelo della valvola con cautela. Se dovesse subire danni o deformazioni, potrebbero verificarsi perdite di birra.

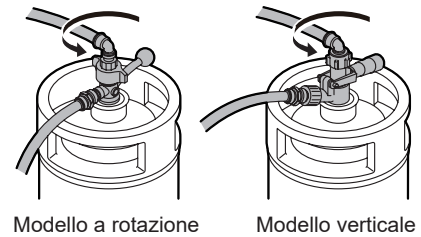
Maneggiare la leva del rubinetto della birra con cautela senza farla cadere.

5) Collegare il rubinetto della birra all'unità ruotando il dado di raccordo in senso antiorario.

6) Rimuovere il vassoio di scarico accessorio e la griglia. Vedere "3. VASSOIO DI SCARICO E GRIGLIA (TUTTI I GIORNI)".

7) Disporre un secchio sotto il rubinetto della birra per raccogliere l'acqua usata per la pulizia.

8) Ruotare in senso antiorario l'innesto del fusto e rimuoverlo dal fusto stesso.

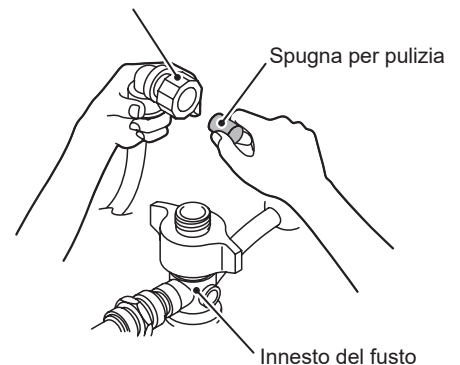


9) Rimuovere il raccordo a innesto rapido per il tubo della birra dall'innesto del fusto, quindi inserire nel raccordo una sola spugna (accessoria) per pulizia.

AVVISO

L'utilizzo di più di una spugna per pulizia o di una spugna non compresa tra gli accessori può provocare l'otturazione del circuito della birra. In tal caso contattare il proprio rivenditore/fornitore.

Raccordo a innesto rapido per il tubo della birra



10) Collegare il raccordo a innesto rapido per il tubo della birra all'innesto del fusto.

11) Lavare a fondo il serbatoio di pulizia e riempirlo con acqua di rubinetto.

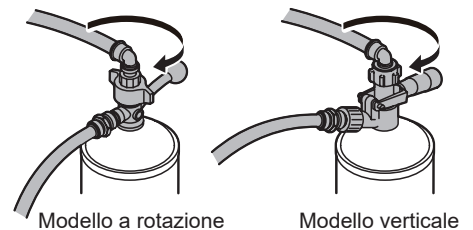
Nota: se il serbatoio di pulizia non è pulito, il circuito della birra verrà contaminato.

12) Ruotare in senso orario l'innesto del fusto per collegarlo al serbatoio di pulizia.

Nota: lavare il giunto tra l'innesto del fusto e il serbatoio di pulizia se presenta delle impurità.

13) Aprire la valvola principale della bombola di gas CO₂ facendola ruotare di qualche giro in senso antiorario.

14) Ruotare la manopola del regolatore per impostare la pressione a "0,15" (MPa).

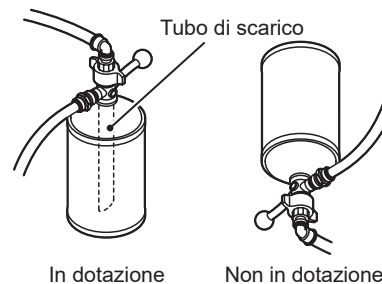
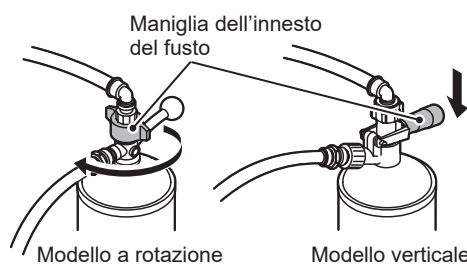


15) Aprire il circuito della birra.

Modello a rotazione: ruotare la maniglia dell'innesto del fusto in senso orario finché non si ferma.

Modello verticale: spingere verso il basso la maniglia dell'innesto del fusto fino a bloccarla.

Nota: se il serbatoio di pulizia è munito di un tubo di scarico, disporre il serbatoio con la boccia verso l'alto. In caso contrario disporre il serbatoio di pulizia con la boccia in basso.



16) Attendere finché la spugna per pulizia e l'acqua fuoriescono dall'ugello del liquido.

17) Ruotare la manopola del regolatore per impostare la pressione a "0" (MPa).

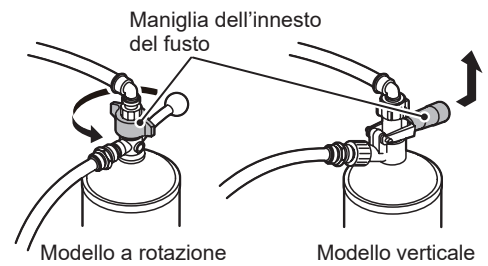
18) Chiudere la valvola principale della bombola di gas CO₂ facendola ruotare in senso orario.

19) Controllare che il gas CO2 smetta di fuoriuscire dall'ugello.

20) Chiudere il circuito della birra.

Modello a rotazione: ruotare la maniglia dell'innesto del fusto in senso antiorario finché non si ferma.

Modello verticale: sbloccare e sollevare completamente la maniglia dell'innesto del fusto.

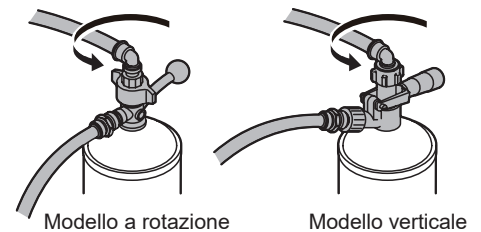


21) Ruotare in senso antiorario l'innesto del fusto e rimuoverlo dal serbatoio di pulizia.

22) Lavare a fondo e asciugare la spugna per pulizia e conservarla per utilizzi futuri.

23) Ripetere i passi da 9) a 22) sopraindicati finché dal rubinetto della birra non esce acqua limpida.

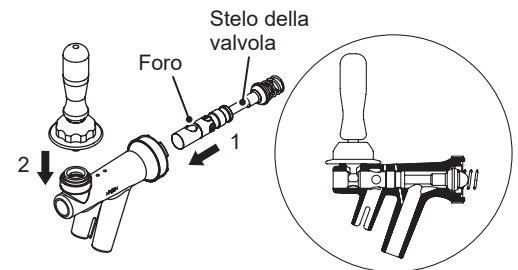
Nota: raccogliere l'acqua in un boccale o bicchiere per controllarne la limpidezza. Ripetere l'operazione alcune volte finché l'acqua non è limpida.



24) Ruotare in senso orario il dado di raccordo per rimuovere il rubinetto della birra.

25) Allentare il dado cieco per smontare il rubinetto della birra. Inserire lo stelo della valvola nella direzione iniziale (normale) allineando i fori del rubinetto della birra con lo stelo della valvola (con il foro più grande verso l'alto), quindi stringere il dado cieco.

Nota: montare correttamente il rubinetto della birra, altrimenti la birra non potrà essere erogata correttamente.



26) Collegare il rubinetto della birra all'unità ruotando il dado di raccordo in senso antiorario.

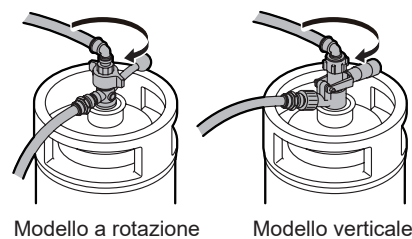
27) Lavare a fondo l'interno del serbatoio di pulizia, capovolgerlo per farlo asciugare, quindi chiuderlo bene con il tappo per lo stoccaggio.

28) Tenere fermo il fondo dell'unità del pannello di comando e tirare verso di sé la maniglia frontale per sbloccare. Spingere verso il basso l'unità del pannello di comando finché non si ferma per coprire la leva del rubinetto della birra.

Nota: per evitare possibili malfunzionamenti, non spingere verso il basso l'unità del pannello di comando con il rubinetto della birra rimosso.

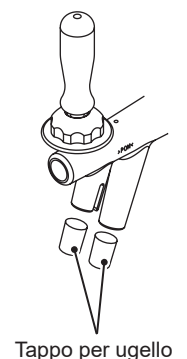
29) Ruotare in senso orario l'innesto del fusto per collegarlo al fusto stesso.

Nota: lavare il giunto tra l'innesto del fusto e il fusto della birra se presenta delle impurità.



30) Eliminare con un panno l'umidità dall'estremità degli ugelli del rubinetto della birra. Pulire e collegare i tappi per ugello (accessori).

Nota: al termine dell'erogazione o durante periodi di inutilizzo, collegare sempre i tappi per ugello accessori per impedire agli insetti e alla sporcizia di penetrare negli ugelli del rubinetto della birra.



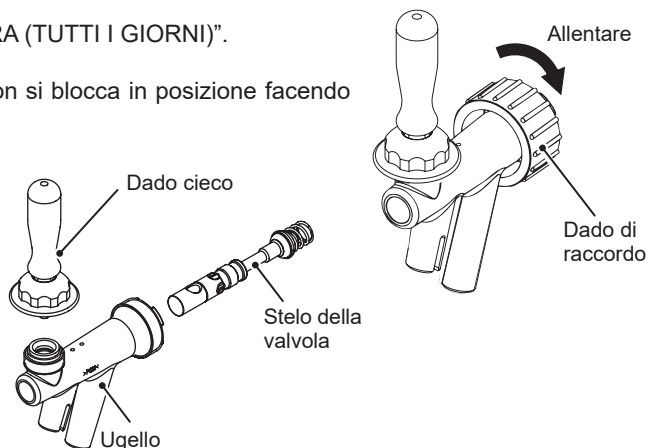
6. SMONTAGGIO E PULIZIA DEL RUBINETTO DELLA BIRRA (UNA VOLTA ALLA SETTIMANA)

1) Seguire i passi da 1) a 7) indicati in "2. CIRCUITO DELLA BIRRA (TUTTI I GIORNI)".

2) Sollevare l'unità del pannello di comando lentamente finché non si blocca in posizione facendo clic.

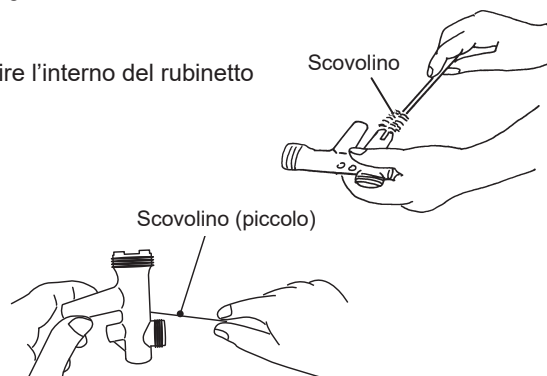
3) Ruotare in senso orario il dado di raccordo per rimuovere il rubinetto della birra.

4) Allentare il dado cieco per smontare il rubinetto della birra.



5) Utilizzare un detergente neutro per piatti e lo scovolino accessorio per pulire l'interno del rubinetto della birra e lo stelo della valvola.

6) Utilizzare lo scovolino accessorio (piccolo) per pulire i due piccoli fori nel rubinetto della birra.

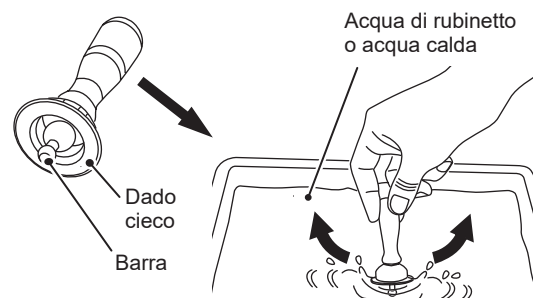


7) Immergere la barra e l'interno del dado cieco in acqua di rubinetto o in acqua calda e scuoterli per rimuovere lo sporco.

8) Sciacquare a fondo i componenti con acqua di rubinetto.

9) Inserire lo stelo della valvola nella direzione iniziale (normale) allineando i fori del rubinetto della birra con lo stelo della valvola (con il foro più grande verso l'alto), quindi stringere il dado cieco.

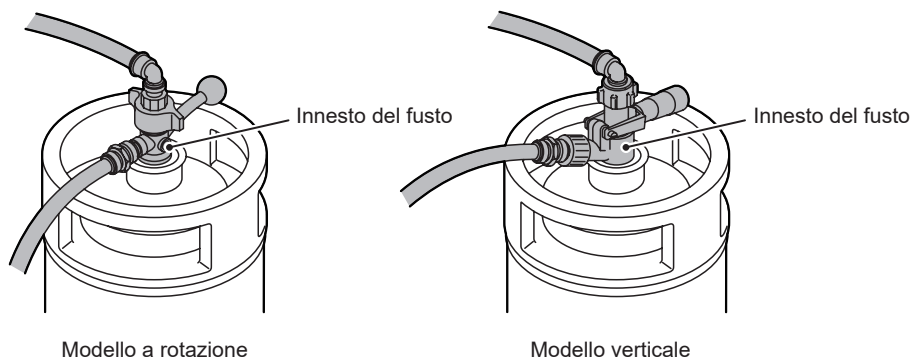
Nota: montare correttamente il rubinetto della birra, altrimenti la birra non potrà essere erogata correttamente.



10) Tenere fermo il fondo dell'unità del pannello di comando e tirare verso di sé la maniglia frontale per sbloccare. Spingere verso il basso l'unità del pannello di comando finché non si ferma per coprire la leva del rubinetto della birra.

7. INNESTO DEL FUSTO (UNA VOLTA ALLA SETTIMANA)

Seguire le istruzioni fornite dal produttore della birra per pulire l'innesto del fusto.



8. ESTERNO (UNA VOLTA ALLA SETTIMANA)

La parte esterna si sporca facilmente. Accertarsi che sia sempre mantenuta pulita.

AVVISO

Per evitare possibili danni, pulire l'esterno in plastica esclusivamente con un detergente neutro.

- 1) Pulire con un panno con acqua tiepida e un detergente neutro.
- 2) Utilizzare un panno umido per eliminare ogni residuo di detergente.

9. FILTRO DELL'ARIA (OGNI DUE SETTIMANE)

AVVISO

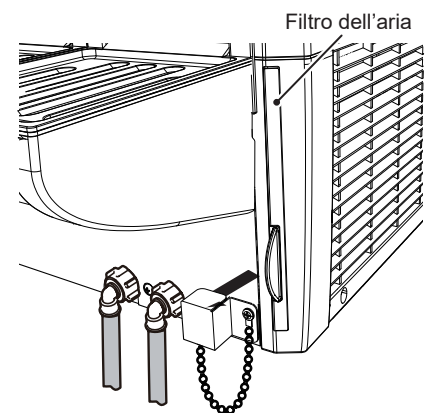
Per garantire il corretto funzionamento dell'unità è necessario tenere pulito il filtro dell'aria.

Non azionare l'unità con il filtro dell'aria rimosso. La polvere può penetrare nell'unità causandone il malfunzionamento.

IMPORTANTE

Il filtro dell'aria deve essere pulito in base alle esigenze dettate dalle condizioni di installazione.

- 1) Estrarre il filtro dell'aria.
- 2) Lavare il filtro dell'aria con acqua fredda o tiepida mescolata a un detergente neutro.
Nota: fare attenzione a non danneggiare la rete.
- 3) Asciugare bene il filtro dell'aria in una zona in ombra.
- 4) Rimontare il filtro dell'aria.



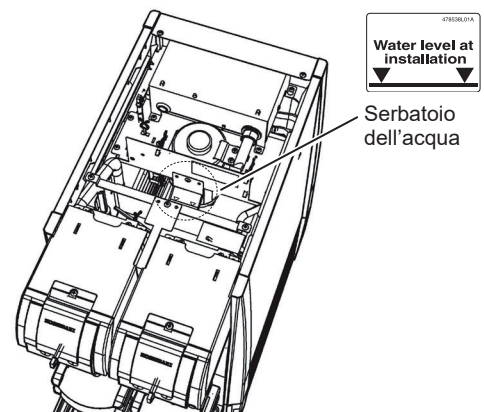
IV. ISPEZIONE

1. ACQUA DI RAFFREDDAMENTO ED ELETTRODO (DUE VOLTE L'ANNO)

IMPORTANTE

Cambiare l'acqua di raffreddamento e controllare il grado di pulizia dell'elettrodo due volte all'anno.

- 1) Scollegare l'unità dalla rete elettrica. L'unità di refrigerazione e il motore dell'agitatore si arrestano.
- 2) Rimuovere la copertura superiore.
- 3) Verificare che il livello dell'acqua sia al di sopra del livello segnato all'interno del serbatoio dell'acqua.

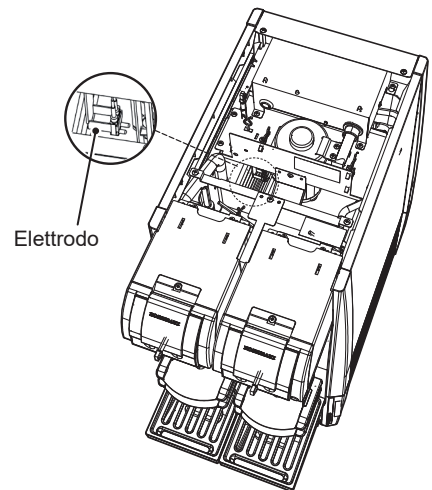


4) Svuotare il serbatoio dell'acqua. Vedere "II. 9. [b] SVUOTAMENTO DEL SERBATOIO DELL'ACQUA".

5) Verificare che l'elettrodo sia pulito.

AVVISO

Se l'elettrodo ha assunto un colore marrone o nero o comunque non è pulito, contattare il proprio rivenditore/fornitore.



6) Riempire il serbatoio dell'acqua. Vedere "II. 2. RIEMPIMENTO DEL SERBATOIO DELL'ACQUA".

7) Collegare l'unità alla rete elettrica. L'unità di refrigerazione e il motore dell'agitatore si avviano.

IMPORTANTE

Dalla messa in servizio al completo accumulo di ghiaccio nel serbatoio dell'acqua, servono dalle 8 alle 13 ore circa. La birra erogata potrebbe non essere sufficientemente fredda fin quando la produzione di ghiaccio non è terminata.

2. TUBO DEL GAS E TUBO DELLA BIRRA (UNA VOLTA AL MESE)

Controllare i tubi del gas e della birra per rilevare l'eventuale presenza di danni, deformazioni e segni di perdite d'acqua (macchie). Se si riscontrano dei problemi, rivolgersi al proprio rivenditore/fornitore.

3. SPINA ELETTRICA E CAVO DI ALIMENTAZIONE (UNA VOLTA/DUE VOLTE L'ANNO)

▲AVVERTENZA

Controllare periodicamente che sui poli della spina elettrica e nelle loro vicinanze non sia presente polvere e che la spina sia inserita saldamente nella presa. La polvere sui poli o la spina allentata possono causare folgorazioni o incendi.

Non danneggiare il cavo di alimentazione. Il cavo non deve essere modificato, stratonato, aggrovigliato, calpestato né incastrato, per evitare rischi di folgorazioni o incendi.

L'unità deve avere un'alimentazione a sé stante. Collegare il cavo a una diramazione, usare una prolunga o condividere una presa di alimentazione con altre apparecchiature può causare folgorazioni, surriscaldamento o incendi.

Controllare quanto segue:

- * Sia i poli della spina elettrica e le loro vicinanze sia la presa elettrica devono essere privi di polvere. Pulirli se necessario.
- * La spina elettrica e il cavo di alimentazione non devono presentare danni e non devono essere schiacciati o incastrati.
- * La spina elettrica deve essere inserita in una presa a sé stante.

V. ALTRE INFORMAZIONI

1. PREPARAZIONE DELL'EROGATORE PER UNA CONSERVAZIONE PROLUNGATA

▲AVVERTENZA

Se lo spillatore resta spento per più di una settimana, scollegare l'unità dalla rete elettrica.

1) Scaricare il serbatoio dell'acqua come indicato nella sezione "II. 9. [b] SVUOTAMENTO DEL SERBATOIO DELL'ACQUA".

2) Svolgere le seguenti operazioni di manutenzione per pulire e spurgare il circuito della birra e mantenere pulita l'unità:

- III. 5. PULIZIA DEL CIRCUITO DELLA BIRRA CON LA SPUGNA (UNA VOLTA ALLA SETTIMANA)
6. SMONTAGGIO E PULIZIA DEL RUBINETTO DELLA BIRRA (UNA VOLTA ALLA SETTIMANA)
7. INNESTO DEL FUSTO (UNA VOLTA ALLA SETTIMANA)
8. ESTERNO (UNA VOLTA ALLA SETTIMANA)
9. FILTRO DELL'ARIA (OGNI DUE SETTIMANE)

3) Quando si riavvia l'unità, seguire le procedure seguenti:

- II. 1. PULIZIA DEL CIRCUITO DELLA BIRRA
2. RIEMPIMENTO DEL SERBATOIO DELL'ACQUA
3. CONTROLLI PRIMA DELL'USO (TUTTI I GIORNI)
4. AVVIO
5. IMPOSTAZIONE DELLE QUANTITÀ DI LIQUIDO E SCHIUMA
6. EROGAZIONE
7. SENSORE DI FINE DISPONIBILITÀ
8. FINE DELL'EROGAZIONE

2. PRIMA DI RICHIEDERE L'INTERVENTO DEL SERVIZIO DI ASSISTENZA

Se lo spillatore non funziona correttamente, prima di richiedere l'intervento del servizio di assistenza consultare la seguente tabella. Se il problema persiste, spegnere l'interruttore (interruttore di dispersione a terra) e contattare il proprio rivenditore/fornitore.

Non cercare di riparare l'unità autonomamente. L'unità può essere riparata solo da personale qualificato.

Problema	Possibile causa	Rimedio
L'unità non parte.	L'unità è scollegata dall'alimentazione elettrica.	Collegarla all'alimentazione elettrica.
	Il fusibile è saltato.	Contattare il proprio rivenditore/fornitore.
	Interruzione dell'alimentazione elettrica.	Attendere il ripristino dell'alimentazione elettrica.
La birra non è fredda.	Non c'è ghiaccio nel serbatoio dell'acqua.	Attendere che si formi il ghiaccio.
	Non sono passate tra 8 e 13 ore da quando l'interruttore (interruttore di dispersione a terra) è stato acceso.	Per produrre il ghiaccio sono necessarie dalle 8 alle 13 ore a seconda della temperatura ambiente e dell'acqua. Attendere dalle 8 alle 13 ore prima di erogare la birra.
	La temperatura ambiente è superiore ai 30 °C.	Areare con un ventilatore per ridurre la temperatura ambiente.
	Non c'è acqua di raffreddamento nel serbatoio dell'acqua.	Riempire il serbatoio dell'acqua. Vedere "II. 2. RIEMPIMENTO DEL SERBATOIO DELL'ACQUA".
	Ingresso o scarico dell'aria ostruito o sporco.	Pulire o liberare l'ingresso/scarico. Vedere "III. 9. FILTRO DELL'ARIA (OGNI DUE SETTIMANE)".
Non viene erogata birra.	Il fusto della birra è vuoto.	Inserire un nuovo fusto. Vedere "II. 3. [d] SOSTITUZIONE DEL FUSTO DELLA BIRRA".
	La bombola di gas CO2 è vuota.	Inserire una nuova bombola. Vedere "II. 3. [b] SOSTITUZIONE DELLA BOMBOLA DI GAS CO2".
	La valvola principale della bombola di gas CO2 è chiusa.	Aprirla.
	Il regolatore è impostato su "0".	Impostare il regolatore su una pressione idonea. Vedere "II. 3. [b] SOSTITUZIONE DELLA BOMBOLA DI GAS CO2".
	L'innesto del fusto non è correttamente collegato al fusto della birra.	Controllare ed apportare le necessarie modifiche. Vedere "II. 3. [d] SOSTITUZIONE DEL FUSTO DELLA BIRRA".
	La maniglia dell'innesto del fusto è chiusa.	Aprire il circuito della birra. Vedere "II. 3. [d] SOSTITUZIONE DEL FUSTO DELLA BIRRA".
	La birra ostruisce il rubinetto della birra e la leva non si muove agevolmente.	Smontare e pulire il rubinetto della birra. Vedere "III. 6. SMONTAGGIO E PULIZIA DEL RUBINETTO DELLA BIRRA (UNA VOLTA ALLA SETTIMANA)".
Rumore anomalo.	Si tratta del rumore caratteristico dell'unità di refrigerazione o del motore della ventola del condensatore.	Nessun problema.
	Il basamento non è stabile.	Contattare il proprio rivenditore/fornitore.
	Il basamento non è in piano.	Contattare il proprio rivenditore/fornitore.
	Un oggetto sta urtando contro l'unità.	Allontanarlo dall'unità.

Troppa schiuma.	Il fusto della birra è appena stato scosso o spostato.	Attendere che la birra all'interno del fusto si assesti.
	Il fusto della birra è quasi vuoto.	Inserire un nuovo fusto. Vedere "II. 3. [d] SOSTITUZIONE DEL FUSTO DELLA BIRRA".
	La bombola di gas CO2 è stata lasciata aperta dopo l'erogazione.	Chiudere la bombola ogni giorno dopo l'erogazione. Vedere "II. 8. FINE DELL'EROGAZIONE".
	Il regolatore non è impostato su una pressione idonea.	Impostare il regolatore su una pressione idonea. Vedere "II. 3. [b] SOSTITUZIONE DELLA BOMBOLA DI GAS CO2".
	Boccale o bicchiere non pulito.	Pulire.
	La temperatura del boccale o bicchiere è troppo alta.	Attenersi alle istruzioni del produttore della birra.
	Il rubinetto o il circuito della birra è sporco.	Pulire; vedere "III. 2. CIRCUITO DELLA BIRRA (TUTTI I GIORNI)".
	Non c'è ghiaccio nel serbatoio dell'acqua.	Attendere che si formi il ghiaccio.
	Il tubo del gas è stato collegato al contrario.	Ricollegare.
Traboccamento della schiuma.	La piattaforma o la dimensione del boccale è differente da quella usata al momento dell'impostazione.	Utilizzare un boccale delle stesse dimensioni usate al momento dell'impostazione o la stessa piattaforma usata per l'impostazione.
Quantità di liquido o schiuma insufficiente o eccessiva.	La manopola del regolatore è stata ruotata dopo la regolazione della quantità di liquido.	Regolare nuovamente la pressione del gas CO2 e le quantità di liquido e schiuma.
La spia "sold out" si accende quando il fusto non è ancora vuoto.	La pressione del gas CO2 non è correttamente regolata.	Regolare nuovamente la pressione del gas CO2 e le quantità di liquido e schiuma.
	Nel tubo è presente della schiuma.	Vedere sopra la voce "Troppa schiuma".

3. SMALTIMENTO

Attenersi alle normative locali per lo smaltimento di questa apparecchiatura e del gas refrigerante in essa contenuto.

Corretto smaltimento del prodotto:

Questo simbolo indica che il prodotto non deve essere smaltito con altri rifiuti domestici all'interno dell'UE. Per evitare possibili danni all'ambiente o alla salute derivanti dallo smaltimento incontrollato dei rifiuti, riciclare il prodotto in modo responsabile per promuovere il riutilizzo sostenibile delle risorse materiali. Per restituire il dispositivo usato, utilizzare i sistemi di restituzione e raccolta o contattare il rivenditore presso il quale è stato acquistato il prodotto. Il prodotto verrà ritirato per essere riciclato in modo sicuro per l'ambiente.



4. GARANZIA

Hoshizaki garantisce al proprietario o all'utente originario che tutti i prodotti con marchio Hoshizaki sono privi di difetti di costruzione e/o inerenti ai materiali per l'intera durata del "periodo di garanzia". La garanzia è valida per un anno dalla data di installazione. La responsabilità di Hoshizaki secondo le condizioni della garanzia è limitata ed esclude la manutenzione di routine, la pulizia, la manutenzione essenziale e/o le riparazioni che si dovessero rendere necessarie in conseguenza di usi impropri e di un'installazione non conforme alle indicazioni fornite da Hoshizaki.

Le riparazioni in garanzia devono essere eseguite da un rivenditore o da un centro di assistenza autorizzato Hoshizaki che utilizzino componenti originali Hoshizaki.

Per ottenere informazioni complete sulla garanzia e sul centro di assistenza autorizzato, si prega di contattare il proprio rivenditore/fornitore di fiducia oppure l'ufficio assistenza Hoshizaki più vicino:

Hoshizaki UK - Regno Unito, Irlanda
 TEL: +44 845 456 0585
 FAX: +44 132 283 8331
 uksales@hoshizaki.uk

Hoshizaki Middle East - Medio Oriente
 TEL: +971 48 876 612
 FAX: +971 48 876 613
 sales@hoshizaki.ae

Hoshizaki Deutschland - Germania, Svizzera, Austria,
 Polonia, Repubblica Ceca, Slovacchia
 TEL: +49 5121 697370
 FAX: +49 5121 6973719
 vertrieb@hoshizaki.de

Hoshizaki Benelux - Olanda, Belgio, Lussemburgo
 TEL: +31 85 018 83 70
 info@hoshizaki.nl

Hoshizaki France - Francia
 TEL: +33 1 48 63 93 80
 FAX: +33 1 48 63 93 88
 info@hoshizaki.fr

Hoshizaki Italia - Italia
 TEL: +39 344 0616467
 TEL: +39 348 3022156
 info@hoshizaki.it

Hoshizaki Iberia - Spagna, Portogallo
 TEL: +34 93 478 09 52
 FAX: +34 93 478 08 00
 info@hoshizaki.es

Hoshizaki Europe B.V. - tutti gli altri paesi in Europa e Africa
 TEL: +31 20 6918499
 FAX: +31 20 6918768
 sales@hoshizaki.nl

SPECIFICHE

Modello	DBF-AS65WE-EU-HC
Alimentazione elettrica	Monofase 220-240 V 50 Hz
Capacità di erogazione	65 L (da 30 °C a 8 °C / 4 ore)
Tempo di produzione ghiaccio	11 ore (con una temperatura iniziale dell'acqua di raffreddamento pari a 25 °C)
Capacità di immagazzinaggio ghiaccio	12 L
Dimensioni	367 mm (L) x 674 mm (P) x 764 mm (A)
Refrigerante	R600a, 80 g
Agente di erogazione schiuma isolante	HFO-1233zd(E)
Peso	Peso netto: 50 kg (peso lordo: 77 kg)
Temp. ambiente	5 - 32 °C

EU DECLARATION OF CONFORMITY

Manufacturer: HOSHIZAKI CORPORATION
Address: 3-16, Minamiyakata, Sakae, Toyoake, Aichi, 470-1194, Japan

This declaration of conformity is issued under the sole responsibility of the manufacturer and, if applicable, his authorized representative.

Product: HOSHIZAKI Automatic Draft Beer Dispenser
Model(s): DBF-AS65WE-EU, DBF-AS65WE-EU-HC

The object of the declaration described above is in conformity with the relevant Union harmonisation legislation.

References to the relevant harmonised standards used or references to the other technical specifications in relation to which conformity is declared;

Electromagnetic Compatibility Directive	2014/30/EU
Machinery Directive	2006/42/EC
RoHS Directive	2011/65/EU, (EU) 2015/863

Emission	EN 55014-1: 2017
	EN 61000-3-2:2019
	EN 61000-3-3:2013
Immunity	EN 55014-2:2015
MD	EN 60335-1: 2012
	EN 60335-2-24:2010
	EN 60335-2-75: 2004
	EN ISO 12100 : 2010
EMF	EN 62233:2008
RoHS	EN IEC 63000:2018

Authorized Representative: Hoshizaki Europe B.V.
Address: Burgemeester Stramanweg 101, 1101AA Amsterdam, The Netherlands

Amsterdam, 21 May 2021
Place and date of issue

Signature: _____


Kazuya Jinno
Managing Director
Hoshizaki Europe B.V

UK DECLARATION OF CONFORMITY

Manufacturer: HOSHIZAKI CORPORATION
Address: 3-16, Minamiyakata, Sakae, Toyoake, Aichi, 470-1194, Japan

This declaration of conformity is issued under the sole responsibility of the manufacturer and, if applicable, his authorized representative.

Product: HOSHIZAKI Automatic Draft Beer Dispenser
Model(s): DBF-AS65WE-EU, DBF-AS65WE-EU-HC

The object of the declaration described above is in conformity with the relevant Union harmonisation legislation.

References to the relevant harmonised standards used or references to the other technical specifications in relation to which conformity is declared;

Electromagnetic Compatibility Regulations 2016
Supply of Machinery (Safety) Regulations 2008
RoHS Regulations 2012

Emission	EN 55014-1: 2017 EN 61000-3-2:2019 EN 61000-3-3:2013
Immunity	EN 55014-2:2015
MD	EN 60335-1: 2012 EN 60335-2-24:2010 EN 60335-2-75: 2004 EN ISO 12100 : 2010
EMF	EN 62233:2008
RoHS	EN IEC 63000:2018

Authorized Representative: Hoshizaki Europe B.V.
Address: The Technology Centre London Road, Swanley, Kent BR8 7AG,
The United Kingdom

Swanley, 17 May 2021
Place and date of issue

Signature: 

Simon Frost
Branch Manager UK and Ireland
Hoshizaki Europe B.V