

No. F081-3688

ISSUED: May. 30, 2012

REVISED: Nov. 19, 2013



HOSHIZAKI
SELF-CONTAINED FLAKER
MODEL FM-300AKE(-N)
(F081, F081-C106, F081-C130,
F081-C131)

PARTS LIST
(HE)

B-1 MAY. 2012
C-0 JAN. 2013
C-1 JUN. 2013

List of Specifications

FM-300AKE	F081	50Hz
	F081-C130	60Hz
FM-300AKE-N	F081-C106	50Hz, Nugget type
	F081-C131	60Hz, Nugget type

Auxiliary Codes

Auxiliary Code Breakdown

The auxiliary code is the first two characters in the serial number. The first character indicates the year. Years progress or regress in alphabetical order. The series runs from "A" through "V" and the letters "I" and "O" are skipped. The second character indicates significant part changes within a year. Base is "0" and this number advances for each change. In cases where there is a letter in parentheses, this designates the month. This is the last character in the serial number. The series runs from "(A)" through "(M)" and the letter "(I)" is skipped. This designation is only included when identifying a parts change within an auxiliary code.

Note About Ordering Parts

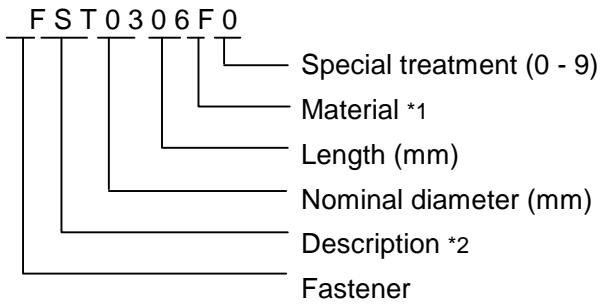
Most assemblies cannot be ordered as complete units; parts in the assemblies generally must be ordered separately.

MARKS LOCATED UNDER THE AUXILIARY CODE

- = Part deleted.
- x = Part deleted and replaced by "o" part.
- o = New part in place of "x" part.

FASTENER PART NUMBER

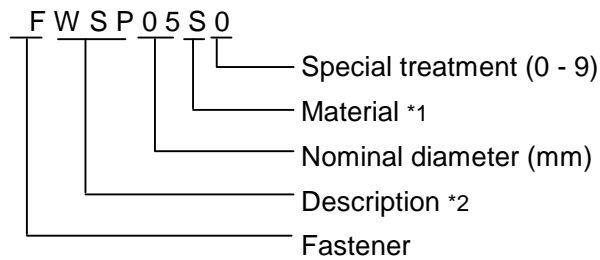
SCREWS



*1 Material

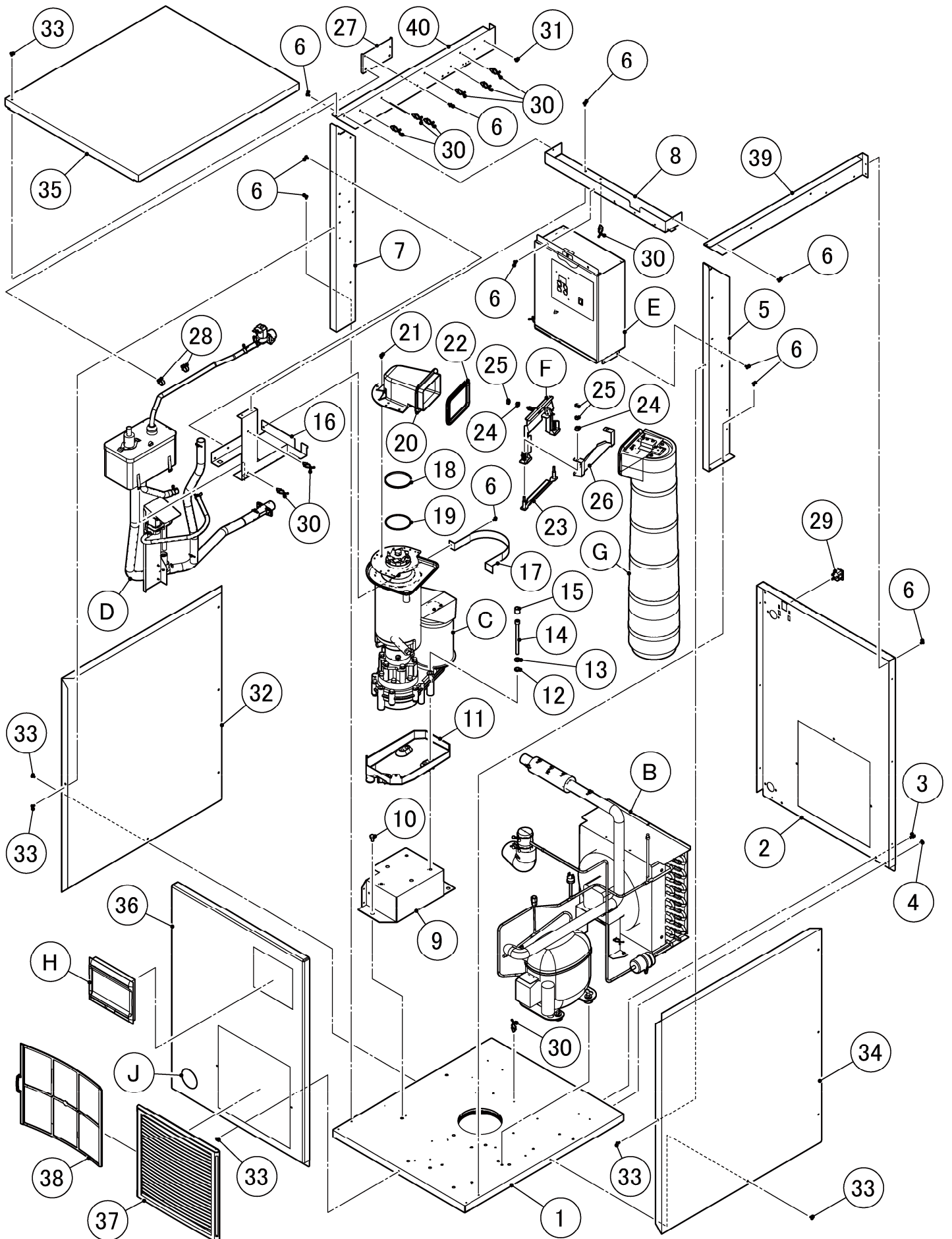
- F: Steel
- S: Austenitic stainless steel
- M: Martensitic stainless steel
- B: Copper alloy
- P: Polycarbonate
- N: Polyamide
- V: PVC
- A: ABS
- X: Polyacetal
- L: Aluminum

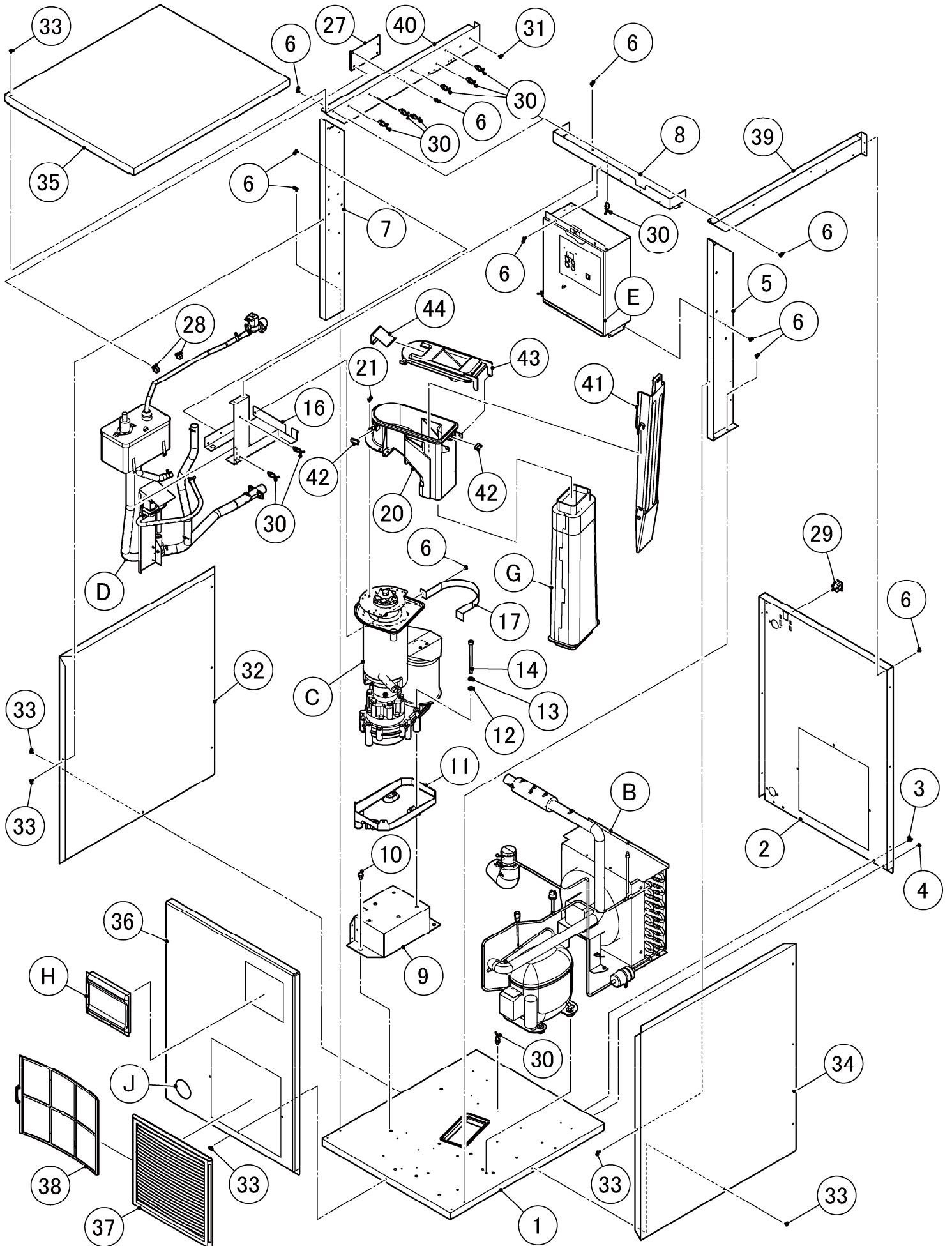
NUTS & WASHERS



*2 Description

- First letter
- S: Machine screw
- T: Tapping screw
- M: Wood screw
- B: Bolt
- W: Washer
- N: Nut





HE

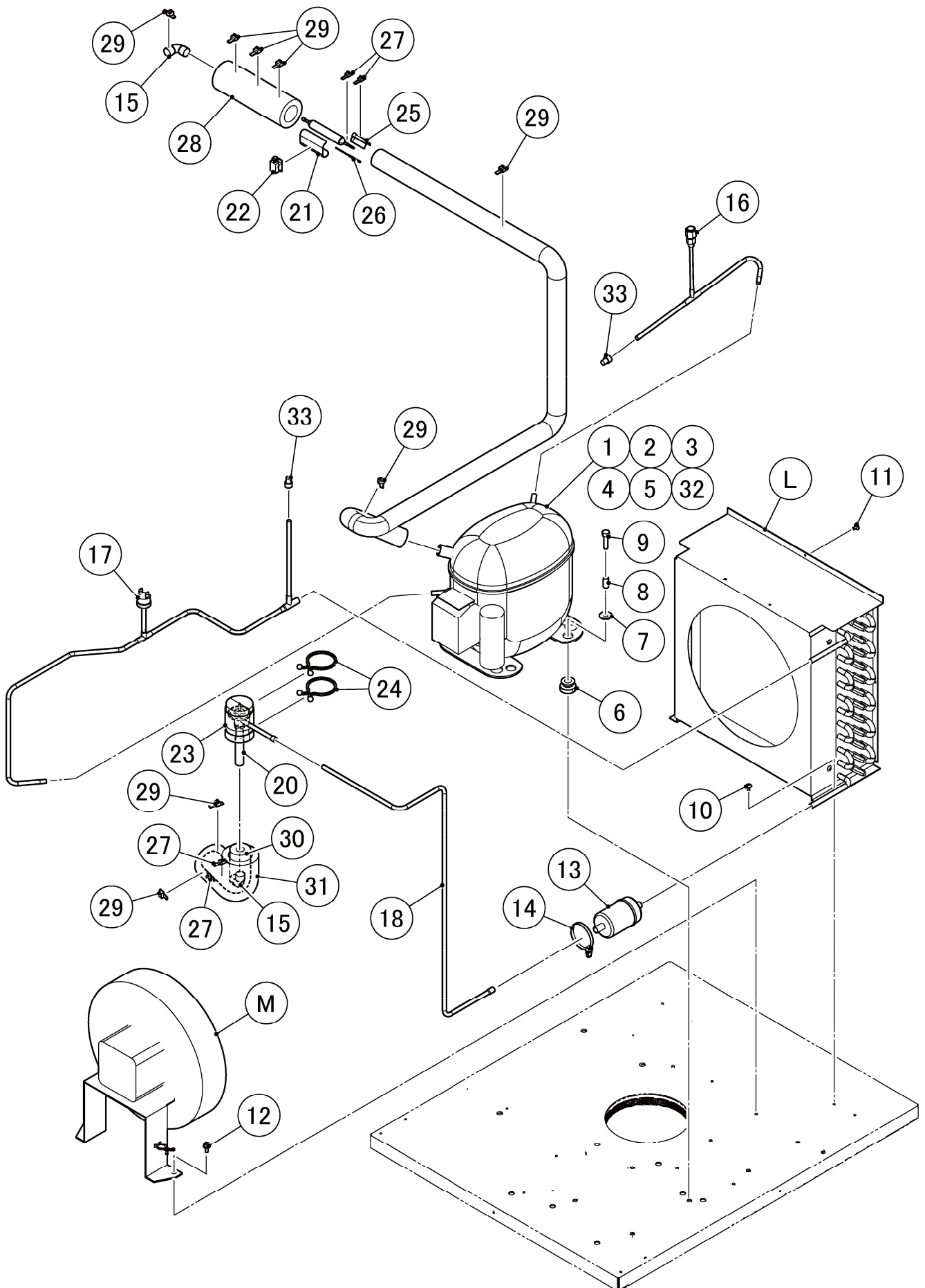
MODEL: FM-300AKE, FM-300AKI		TITLE: A. ICE FLAKER ASSY							
INDEX NO.	DESCRIPTION	MATERIAL OR MODEL NUMBER	PART NUMBER	REQ'D NUMBER					
				B-1 C-0	C-1				
B	REFRIGERATION CIRCUIT		121823A01	1	-				
			122465A01	1	1				
		60Hz F081-C130, F081-C131	122278A01	1	-				
			122619A01	-	1				
C	ICE MAKING UNIT		261985A01	1	-				
			264097A01	-	1				
		NUGGET F081-C106, F081-C131	261985A03	1	-				
			264097A01	-	1				
D	WATER CIRCUIT		121788A01	1	-				
			122466A01	-	1				
E	CONTROL BOX ASSY		262070A01	1	1				
F	BAND ASSY		S-9165	1	-				
G	CHUTE ASSY		113006A01	1	-				
			377714A02	-	1				
H	WINDW PANEL ASSY		348243A03	1	1				
J	LABEL LOCATION		262072A01	1	1				
			F081-C106	262072A02	1	1			
			F081-C130	262072001	1	1			
			F081-C131	262072002	1	1			
M	ACCESSORIES		A02524-01	1	1				
1	CHASSIS		262062G01	1	-				
			264136G01	-	1				
2	REAR PANEL		121822M01	1	1				
3	HEX HEAD BOLT (SPRING WASHER AND FLAT WASHER)		FBK0512S0	2	2				
4	T2 TRUSS HEAD SCREW		FT20408F0	2	2				
5	SIDE FRAME (R1)		264212M01	1	1				
6	TRUSS HEAD MACHINE SCREW		FST0408F0	23	23				
7	SIDE FRAME (L1)		264214M01	1	1				
8	FRONT FRAME		261984M01	1	1				
9	BRACKET - GEAR MOTOR		373520G01	1	-				
			374371G01	-	1				

HE

MODEL: FM-300AKE, FM-300AKI		TITLE: A. ICE FLAKER ASSY						
INDEX NO.	DESCRIPTION	MATERIAL OR MODEL NUMBER	PART NUMBER	REQ'D NUMBER				
				B-1 C-0	C-1			
10	HEX HEAD BOLT		FBH0812S0	3	3			
11	DRAIN PAN		261640P01	1	1			
12	SEAL WASHER		458299-01	3	3			
13	SPRING WASHER		FWSP08S0	3	3			
14	HEXAGON SOCKET HEAD CAP SCREW		461285-01	3	3			
15	VINYL CAP		451272-01	3	-			
16	BRACKET-RESERVOIR		261986M01	1	-			
			264139M01	-	1			
17	BAND		475195M01	1	1			
18	RING		432661-02	1	-			
19	O-RING		7616-G070	1	-			
20	SPOUT		104797-01	1	-			
	SPOUT - 70		478015G01	-	1			
21	HEX HEAD BOLT (SPRING WASHER AND FLAT WASHER)		FBK0408S0	3	-			
			FBK0412S0	-	3			
22	PACKING		454256-01	1	-			
23	BAND (B)		459995G01	1	-			
24	FLANGE NUT		FNHF06S0	3	-			
25	NUT		FNH106F0	5	-			
26	DRIP GUIDE		350725-01	1	-			
27	BRACKET-WATER SUPPLY		476650M01	1	1			
28	CLAMP		428644-03	2	2			
29	CONNECTOR		P00245-02	1	1			
30	WIRE RETAINER		427902-03	10	10			
31	PAN HEAD SCREW SW		FSK0408S0	1	1			
32	SIDE PANEL (L)		261989M01	1	1			
33	TRUSS HEAD SCREW		FST0408S0	12	12			
34	SIDE PANEL (R)		262071M01	1	1			
35	TOP PANEL		261991M01	1	1			
36	FRONT PANEL (A)		122243G01	1	1			
37	LOUVER		121931P01	1	1			
38	AIR FILTER		262259G01	1	1			
39	SIDE FRAME (R2)		264213M01	1	1			

HE

MODEL: FM-300AKE, FM-300AKI		TITLE: A. ICE FLAKER ASSY						
INDEX NO.	DESCRIPTION	MATERIAL OR MODEL NUMBER	PART NUMBER	REQ'D NUMBER				
				B-1 C-0	C-1			
40	SIDE FRAME (L2)		264215M01	1	1			
41	ACTUATOR		377676G02	-	1			
42	REED SWITCH		P02940-01	-	2			
43	SPOUT COVER - 70		263887G01	-	1			
44	SPRING - SPOUT		478013M01	-	1			

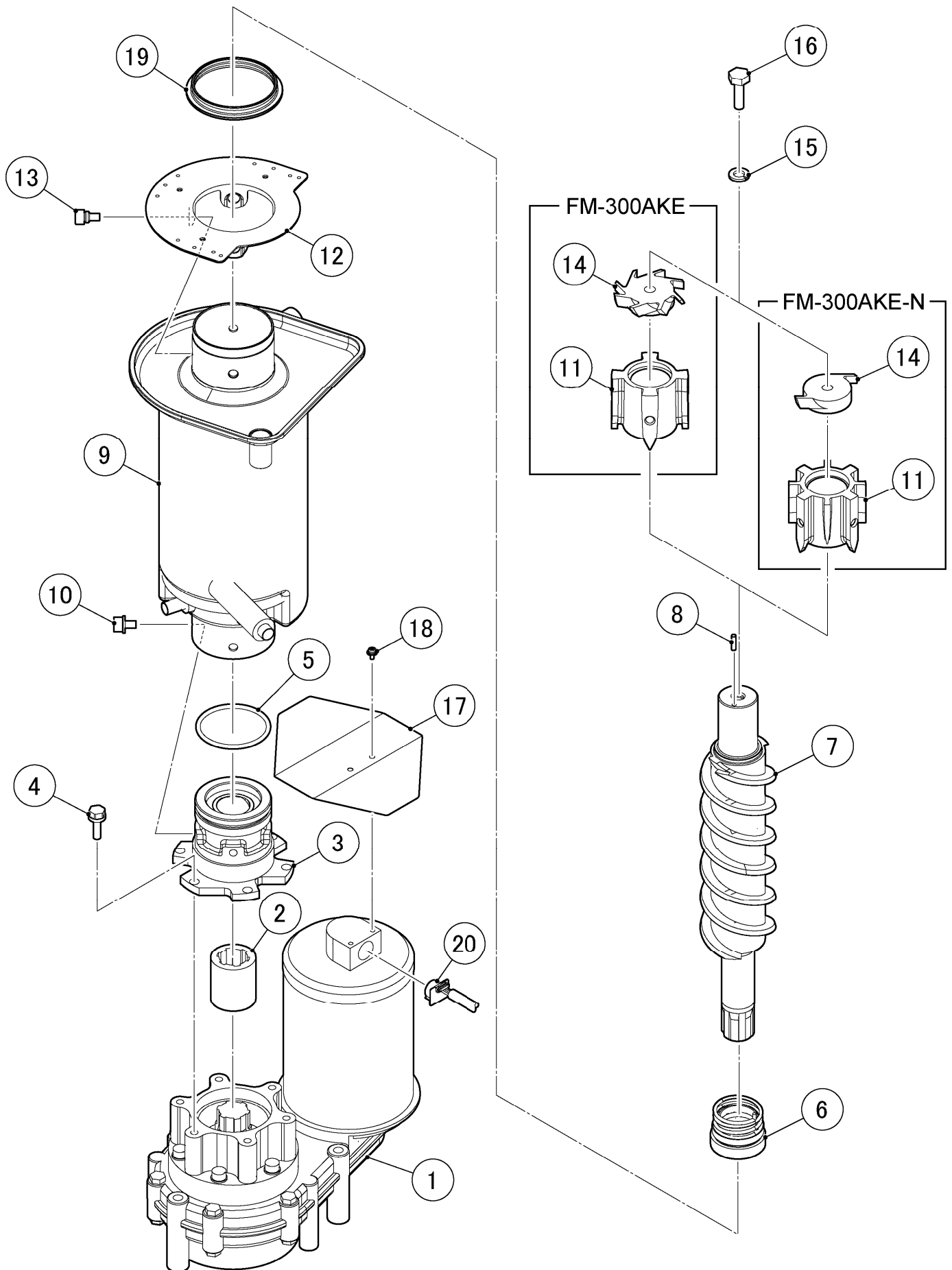


HE

MODEL: FM-300AKE, FM-300AKI								
TITLE: B. REFRIGERATION CIRCUIT								
INDEX NO.	DESCRIPTION	MATERIAL OR MODEL NUMBER	PART NUMBER	REQ'D NUMBER				
				B-1 C-0	C-1			
K	CONDENSER ASSY		376368A01	1	1			
L	FAN MOTOR ASSY		376370A01	1	1			
1	COMPRESSOR		P01666-01	1	1			
		F081-C130, F081-C131	P02309-01	1	1			
2	STARTING RELAY		452237-01	1	1			
	STARTING DEVICE	F081-C130, F081-C131	P02347-01	1	1			
3	START CAPACITOR	F081, F081-C106	456350-01	1	1			
4	COVER		459924-01	1	1			
		F081-C130, F081-C131	P01179-01	1	1			
5	CORD RELIEF		452239-01	1	1			
6	GROMMET		450897-01	4	4			
7	WASHER CUSHION		450894-01	4	4			
8	BUSH CUSHION		450895-01	4	4			
9	BOLT		4A1459-01	4	4			
10	TRUSS HEAD SCREW		FST0408F0	2	2			
		F081-C130, F081-C131		4	4			
11	T2 TRUSS HEAD SCREW		FT20408F0	3	3			
12	HEX HEAD BOLT (SPRING WASHER AND FLAT WASHER)		FBK0512S0	2	2			
13	DRIER		462965-01	1	1			
14	TIE		436156-02	1	1			
15	ELBOW		417395-03	2	2			
16	COPPER TUBE(B)-LOW SIDE		463016G01	1	1			
17	COPPER TUBE(A) - H		262068G01	1	1			
18	COPPER TUBE(B) - L		376372M01	1	-			
	COPPER TUBE(B) - H		377784M01	-	1			
19	COPPER TUBE(A) - L		262069G01	1	-			
	COPPER TUBE - L		264162G01	-	1			
20	EXPANSION VALVE		453868-01	1	1			
21	HOLDER - EXP. VALVE 1/2		3A0112-01	1	1			

HE

MODEL: FM-300AKE, FM-300AKI								
TITLE: B. REFRIGERATION CIRCUIT								
INDEX NO.	DESCRIPTION	MATERIAL OR MODEL NUMBER	PART NUMBER	REQ'D NUMBER				
				B-1 C-0	C-1			
22	CLAMP		443461-01	1	1			
23	VALVE COVER		3Y3196P01	1	1			
24	CLAMP		P00752-01	2	2			
25	HOLDER - THERMISTOR		427430-01	1	-			
			458132-01	-	1			
26	THERMISTOR ASSY		475407G01	1	1			
27	TIE	CV-150	7920-0003	4	3			
28	Insulation Tube		H72949B15	1	1			
29	NYLON TIE	CV-200	7920-0010	8	8			
30	INSULATION TUBE		H71333B35	1	1			
31	Insulation Tube		H73858B28	1	1			
32	NEOBELT PC		446470-01	2	2			
		F081-C130, F081-C131			1			
33	LOCKRING STOPPER		P01677-01	2	2			

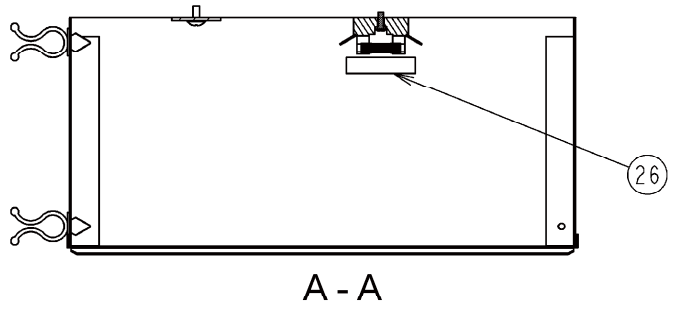


HE

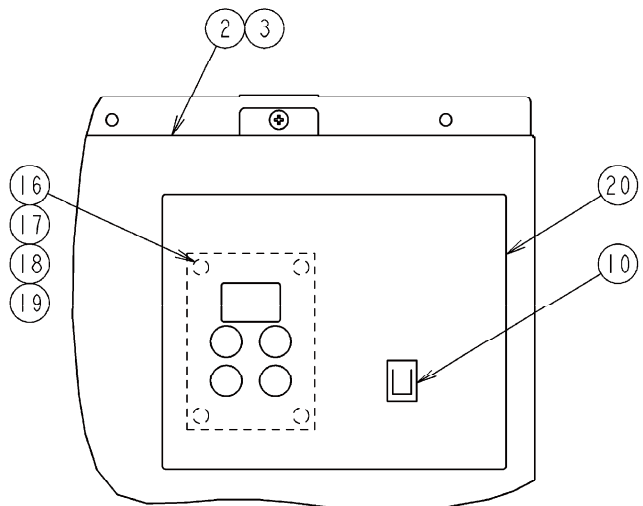
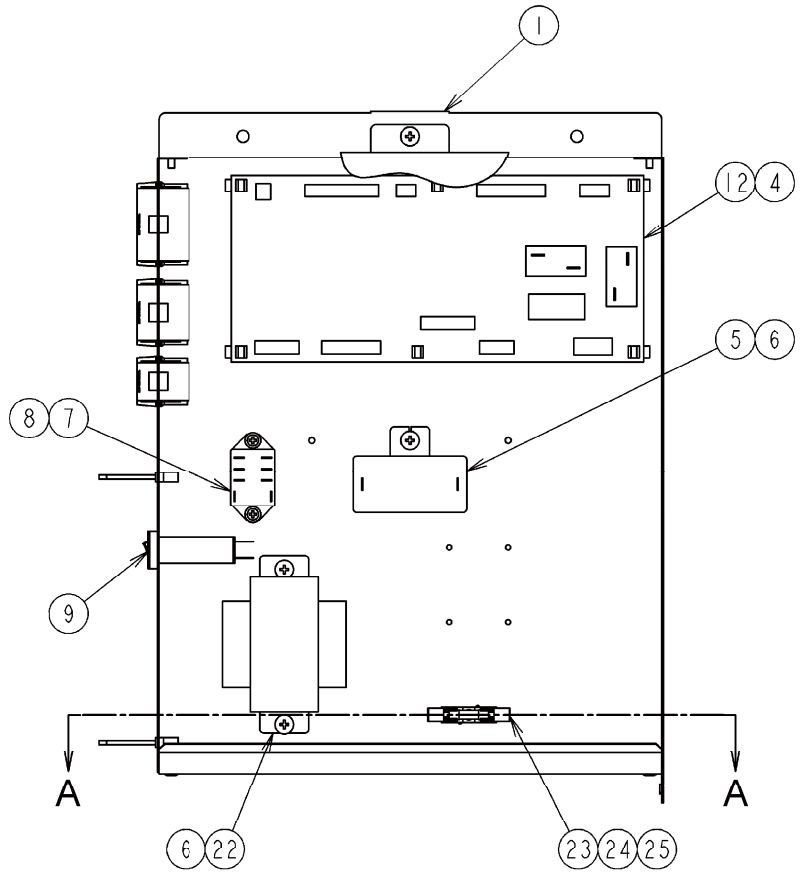
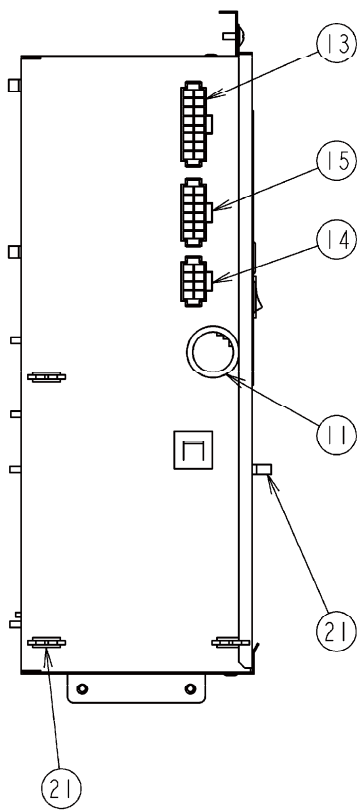
MODEL: FM-300AKE, FM-300AKI		TITLE: C. ICE MAKING UNIT						
INDEX NO.	DESCRIPTION	MATERIAL OR MODEL NUMBER	PART NUMBER	REQ'D NUMBER				
				B-1 C-0	C-1			
1	GEAR MOTOR		466223-01	1	1			
2	COUPLING		414137-01	1	1			
3	BEARING (LOWER)		206657G02	1	1			
4	HEX.HEAD BOLT W/WASHER (SW)		461888-01	6	6			
5	O-RING		7616-G065	1	1			
6	MECHANICAL SEAL		432492-01	1	1			
7	AUGER		120863G02	1	1			
8	PIN		713S-0416	1	1			
9	EVAPORATOR		258997G01	1	1			
10	SCREW		P01719-01	4	4			
11	EXTRUDING HEAD-70F		327097G04	1	1			
	EXTRUDING HEAD-70N	F081-C106, F081-C131	216531G02	1	1			
12	FLANGE-70		476246G02	1	-			
			372207M01	-	1			
13	SEAL BOLT - M8		P01768-01	4	4			
14	CUTTER		317071-02	1	1			
		F081-C106, F081-C131	327145-01	1	1			
15	SPRING WASHER		FWSP10S0	1	1			
16	SCREW-BOLT		458101-01	1	1			
17	COVER-GEAR MOTOR		466374-01	1	1			
18	PAN HEAD SCREW SW		FSK0408S0	2	2			
19	PACKING - SPOUT		473494R01	-	1			
20	ROTATION SENSOR	GEAR MOTOR ACCESSORY	459861-03	1	1			

HE

MODEL: FM-300AKE, FM-300AKI									TITLE: D. WATER CIRCUIT								
INDEX NO.	DESCRIPTION	MATERIAL OR MODEL NUMBER	PART NUMBER	REQ'D NUMBER													
				B-1 C-0	C-1												
1	WATER VALVE		452993-01	1	1												
2	HEX HEAD BOLT		FBH0408S0	2	2												
3	SI HOSE		H11014060	1	1												
4	PIPE-WATER SUPPLY		376329M01	1	1												
5	HOSE CLAMP		435934-03	1	1												
6	HOSE CLAMP		435934-02	2	2												
7	RESERVOIR		232626-01	1	1												
8	COVER - RESERVOIR		232627-01	1	1												
9	COVER - RESERVOIR INLET		415094-01	1	1												
10	FLOAT SWITCH		458279-01	1	1												
11	HOSE		372321R01	1	1												
12	CLIP BAND		423866-08	1	1												
13	BRACKET - VALVE		373530M01	1	1												
14	PAN HEAD MACHINE SCREW (SPRING WASHER AND FLAT WASHER)		FSK0408F0	3	3												
15	WATER VALVE		468655-01	1	1												
16	HEX HEAD BOLT (SPRING WASHER AND FLAT WASHER)		FBK0508F0	2	2												
17	DRAIN HOSE (B)		459329-01	1	1												
18	PVC Hose - FSA		HD2226520	1	-												
			HD2226500	-	1												
19	TEE		120228M01	1	1												
20	TIE		7920-0003	8	8												
21	DRAIN PIPE		321035-01	1	1												
22	TRUSS HEAD TAPPING SCREW T2		FT20410S0	2	2												
24	PVC Hose - FSA		HD2226050	1	-												
			HD2226045	-	1												
25	PVC Hose - FSA		HD2226400	1	1												
26	PVC Hose (Food Grade)		HD1923460	1	1												
27	PVC Hose - FSA		HD0912450	1	1												
28	CLAMP		423866-03	2	2												
29	CAP		417323-01	1	1												

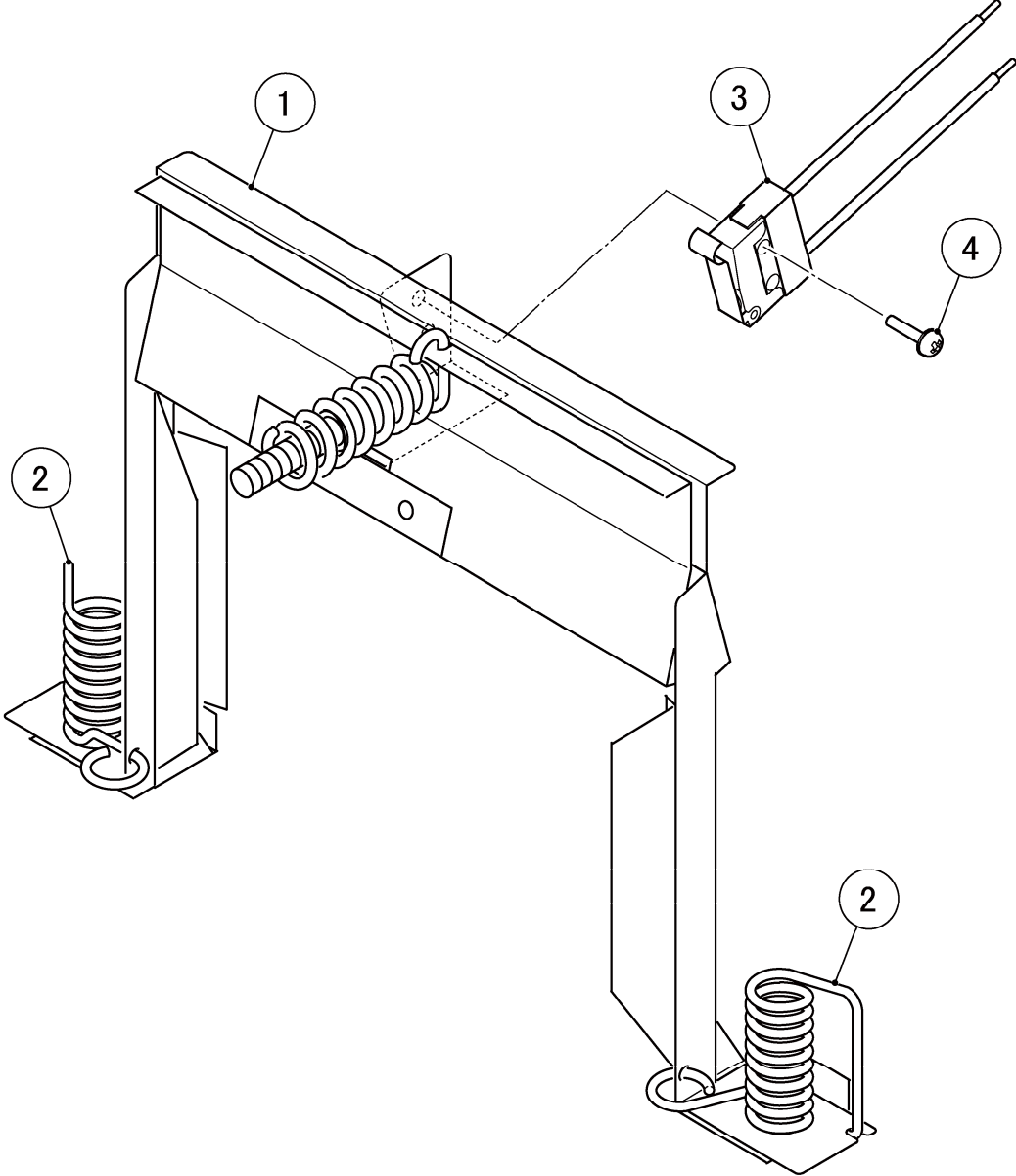


A - A



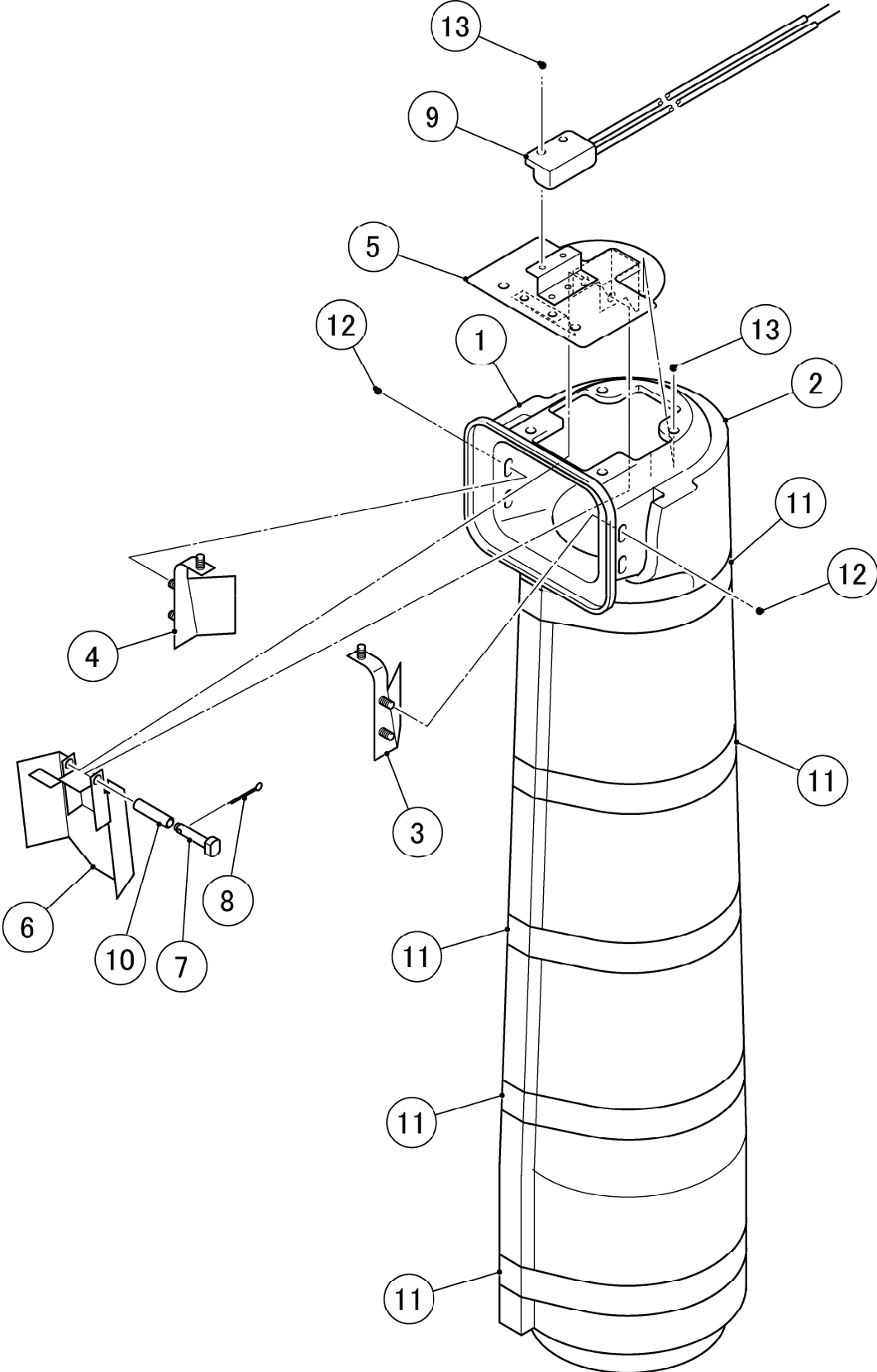
HE

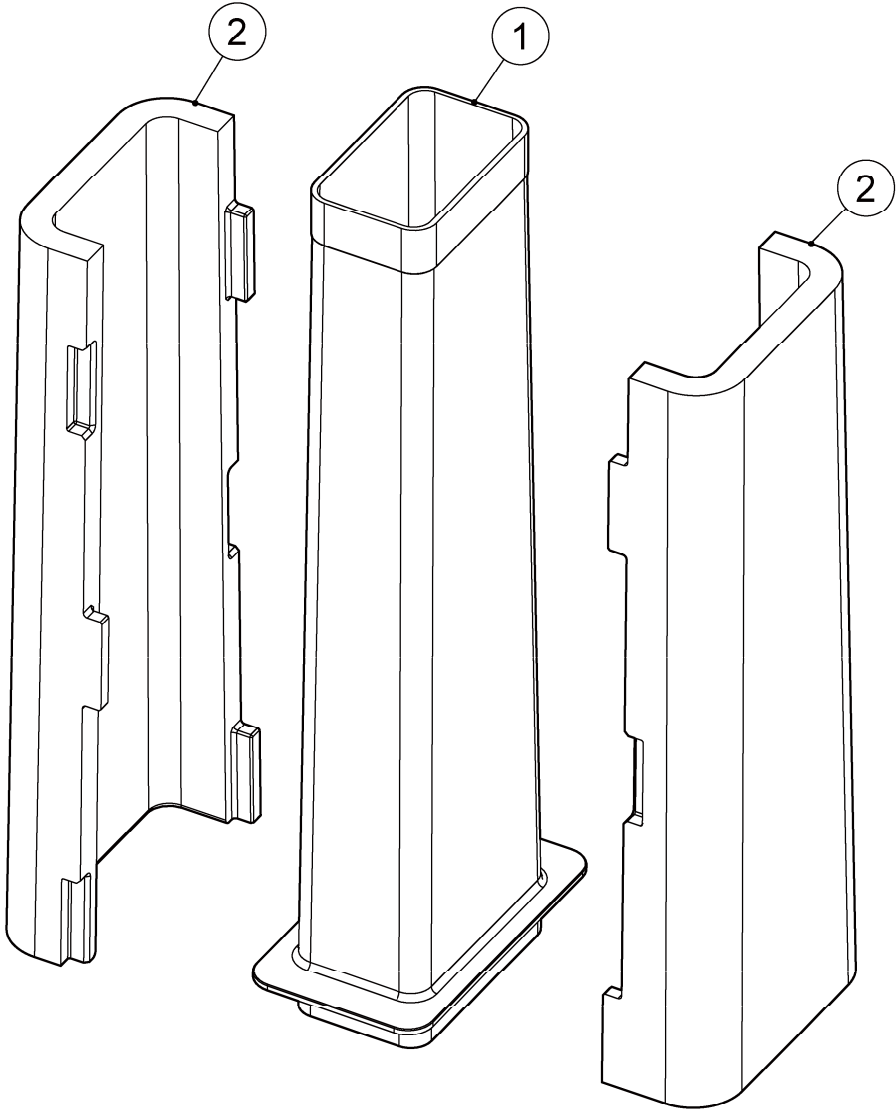
MODEL: FM-300AKE, FM-300AKI									TITLE: E. CONTROL BOX ASSY			
INDEX NO.	DESCRIPTION	MATERIAL OR MODEL NUMBER	PART NUMBER	REQ'D NUMBER								
				B-1 C-0	C-1							
1	CONTROL BOX	4x8	121824G01	1	1							
2	COVER - CONTROL BOX		376330G01	1	1							
3	TRUSS HEAD SCREW	NGLS-6S	FST0408F0	1	1							
4	BOARD SUPPORT	CMPS45B605UWC	414929-01	6	6							
5	CAPACITOR		459704-01	1	1							
6	T2 TRUSS HEAD SCREW	4x8	FT20408F0	3	3							
7	RELAY	LY2F AC240V	406132-08	1	1							
8	T2(S) FLANGED PAN HEAD SCREW	3x8	431415-01	2	2							
9	PROTECTOR	W28XQ1A-10	440972-01	1	1							
10	ROCKER SWITCH		460681-01	1	1							
11	BUSHING	OCB-1000	428394-05	1	1							
12	CONTROLLER BOARD - 09CM		P01372-99	1	1							
13	HARNESS (A)		376352G01	1	1							
14	HARNESS (B)		473845G01	1	1							
15	HARNESS (C)		374366G01	1	1							
16	SPACER	4EP-9	451658-05	4	4							
17	OPERATION BOARD - 09CM		P01373-01	1	1							
18	FLAT WASHER		FWPL03P0	4	4							
19	NUT		FNH103F0	4	4							
20	CONTROL LABEL		374148L01	1	1							
21	WIRE RETAINER	No. 249	427902-03	4	4							
22	TRANSFORMER	TH6634-220/230/240	P02623-01	1	1							
23	FUSE HOLDER	CFH15	4Y2547-01	1	1							
24	FUSE	2183.15 250VAC 2.15	451924-02	1	1							
25	PAN HEAD TAPPING SCREW T2	3x8	FT50308F0	1	1							
26	LABEL/FUSE		477494L01	1	1							



HE

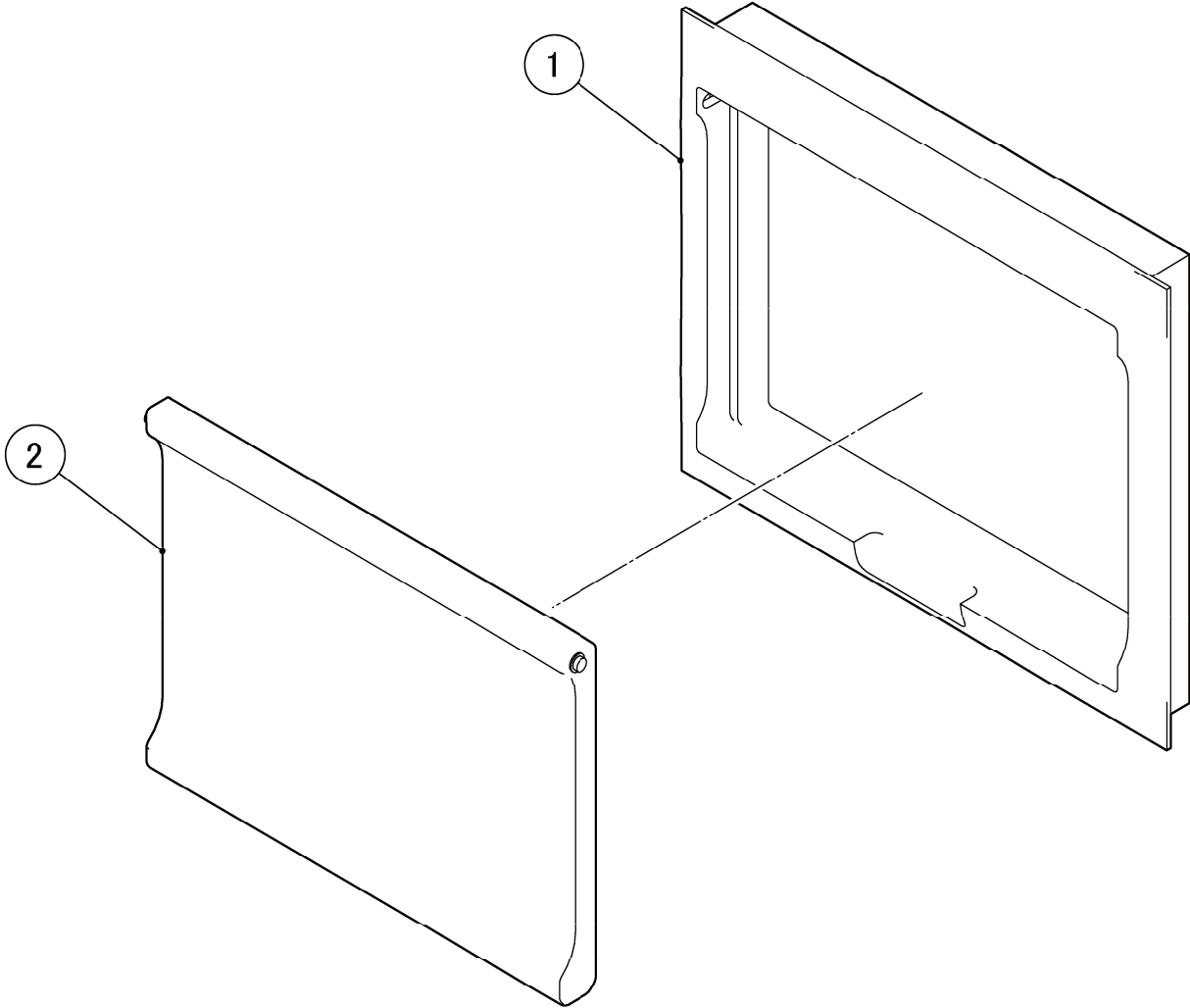
MODEL: FM-300AKE, FM-300AKI		TITLE: F. BAND ASSY						
INDEX NO.	DESCRIPTION	MATERIAL OR MODEL NUMBER	PART NUMBER	REQ'D NUMBER				
				B-1				
1	BAND (A)		348305G01	1				
2	SPRING (A)		459997-01	2				
3	MICROSWITCH		443992-02	1				
4	PAN HEAD MACHINE SCREW (SPRING WASHER AND FLAT WASHER)		470416-01	2				





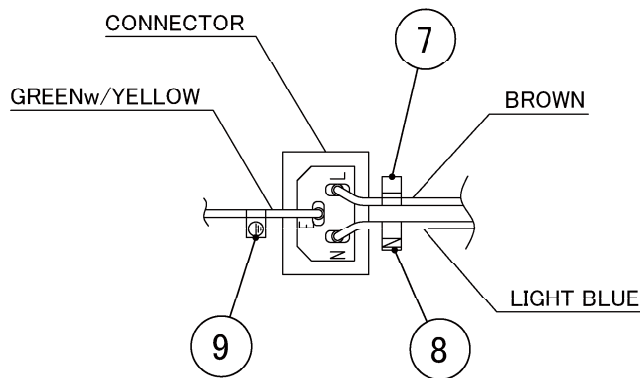
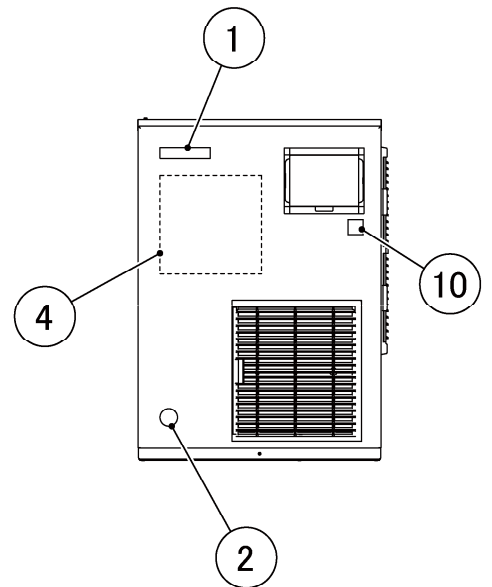
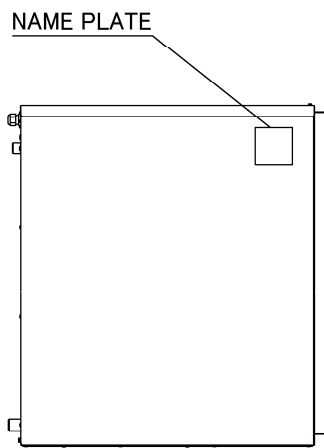
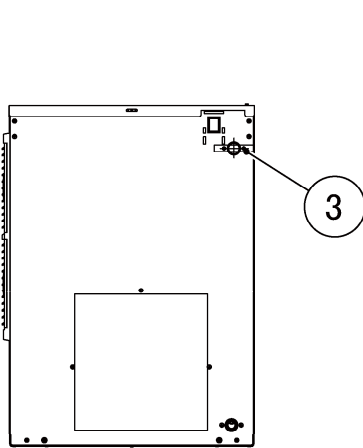
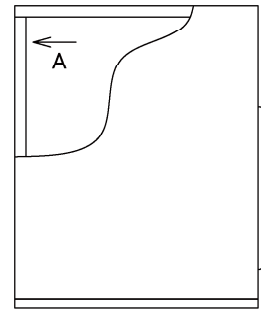
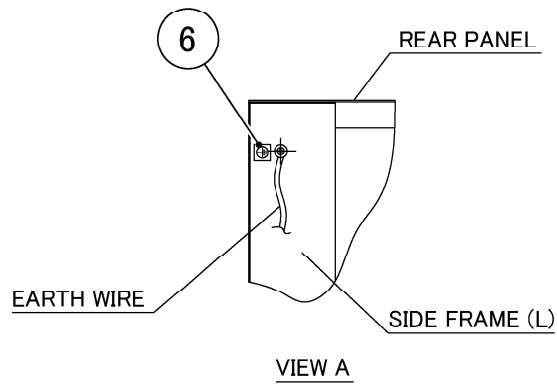
HE

MODEL: FM-300AKE, FM-300AKI		TITLE: G. CHUTE ASSY						
INDEX NO.	DESCRIPTION	MATERIAL OR MODEL NUMBER	PART NUMBER	REQ'D NUMBER				
				B-1 C-0	C-1			
1	CHUTE		214823-01	1	-			
			263897P02	-	1			
2	INSULATION-CHUTE		235310-01	1	-			
			263903P02	-	2			
3	BAFFLE - CHUTE (A)		325122G01	1	-			
4	BAFFLE - CHUTE (B)		325123G01	1	-			
5	BIN CONTROL		353918G01	1	-			
6	ACTUATOR		436848G05	1	-			
7	SHAFT		458813-01	1	-			
8	SPLIT PIN		711SP1612	1	-			
9	PROXIMITY SWITCH		4A2033-01	1	-			
10	TUBE		461623-01	1	-			
11	TAPE		113006Z01	5	-			
12	WING NUT		FNW204S0	6	-			
13	TRUSS HEAD SCREW		FST0406S0	4	-			

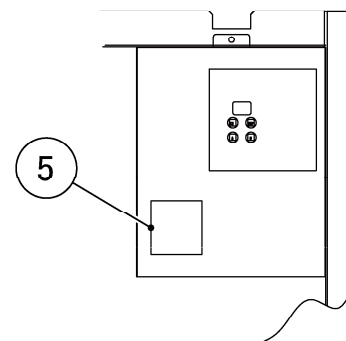


HE

MODEL: FM-300AKE, FM-300AKI		TITLE: H. WINDW PANEL ASSY						
INDEX NO.	DESCRIPTION	MATERIAL OR MODEL NUMBER	PART NUMBER	REQ'D NUMBER				
				B-1 C-0	C-1			
1	WIND FRAME		232648-01	1	1			
2	WIND PANEL		232649-03	1	1			



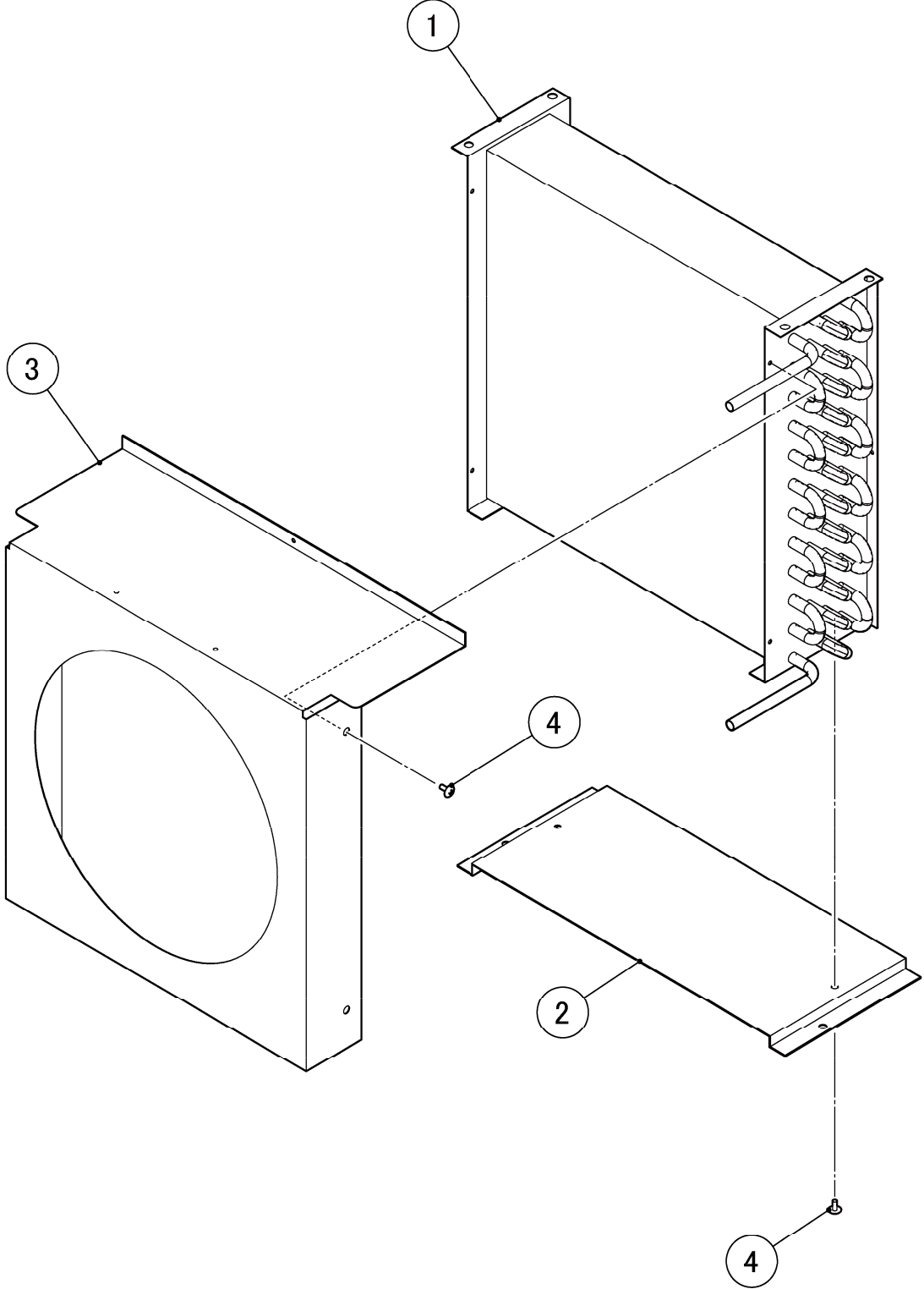
DETAIL LABEL - TERMINAL



DETAIL - CONTROL BOX

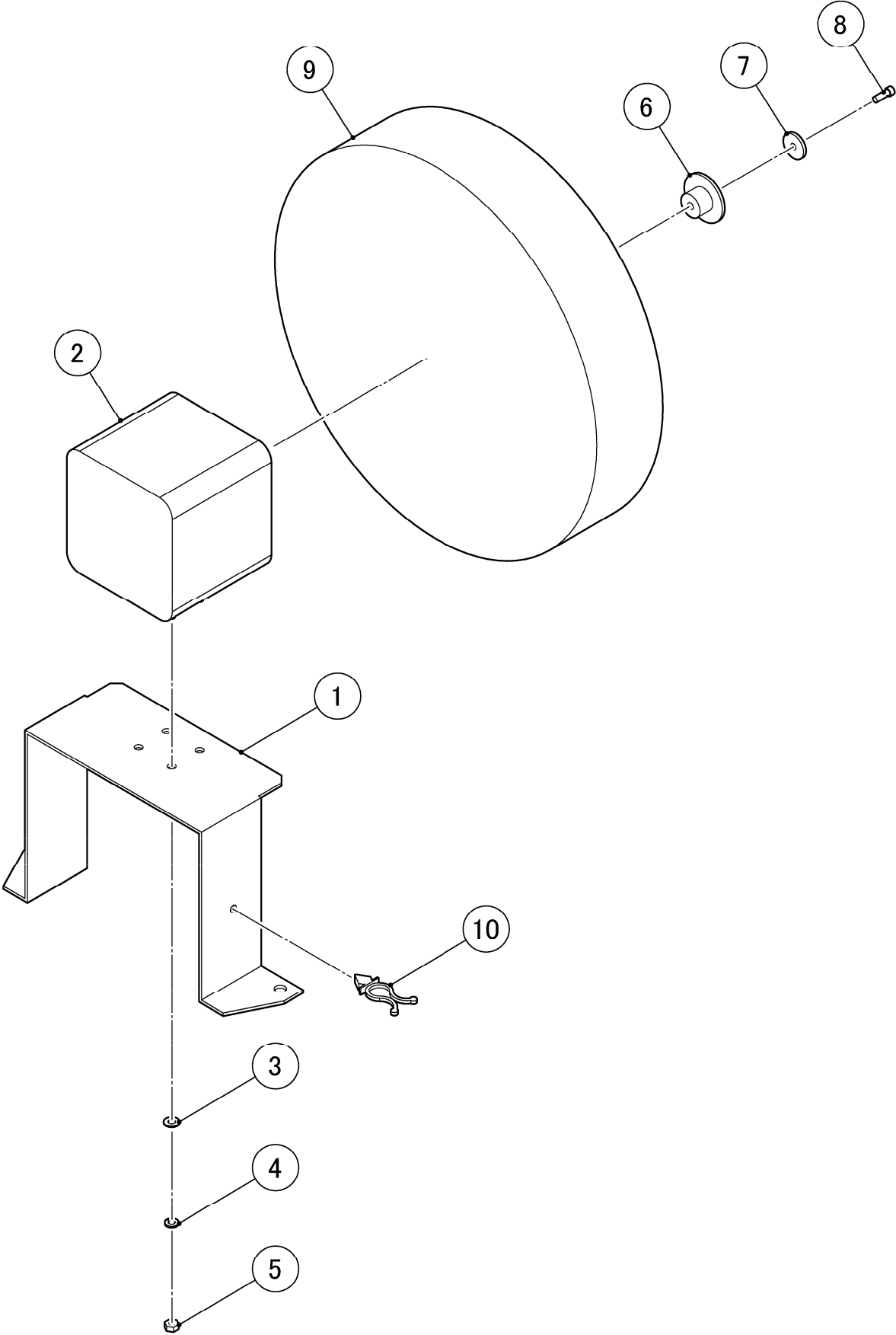
HE

MODEL: FM-300AKE, FM-300AKI								
TITLE: J. LABEL LOCATION								
INDEX NO.	DESCRIPTION	MATERIAL OR MODEL NUMBER	PART NUMBER	REQ'D NUMBER				
				B-1 C-0	C-1			
1	EMBLEM		340842-01	1	1			
2	LABEL-PENGUIN		454387-01	1	1			
3	CAUTION-LABEL		452552-01	1	1			
4	WIRING LABEL		262073L01	1	1			
			264591L01	-	1			
		F081-C130, F081-C131	263393L01	1	-			
		264592L01	-	1				
5	CAUTION LABEL - SERVICE		471180L01	1	1			
6	LABEL - EARTH (B)		450452-02	1	-			
7	LABEL-TERMINAL		452379-03	1	-			
8	LABEL - TERMINAL		452379-04	1	-			
9	LABEL-TERMINAL		452379-05	1	-			
10	LABEL - HACCP		476519L01	1	1			



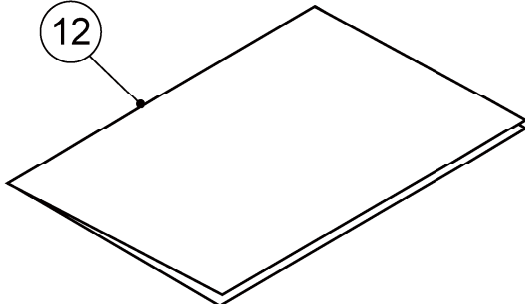
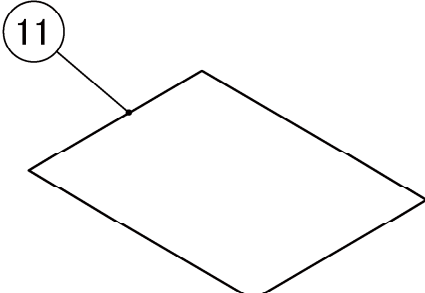
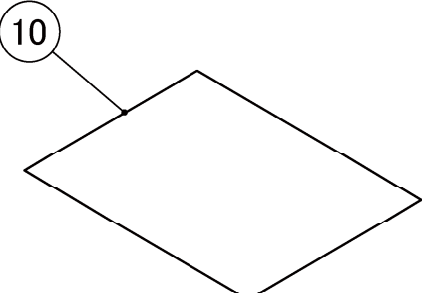
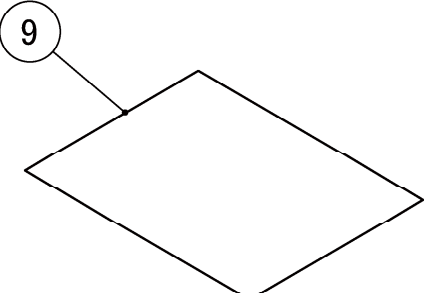
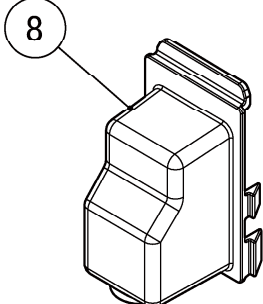
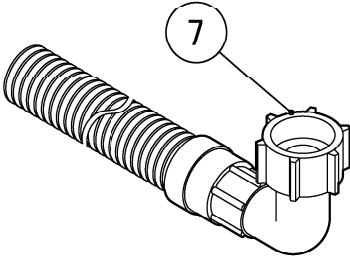
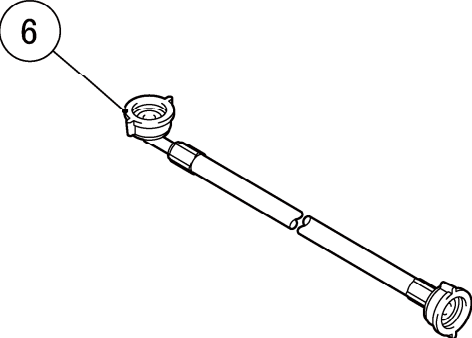
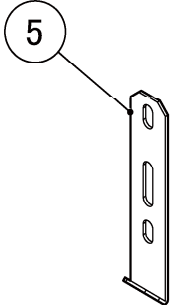
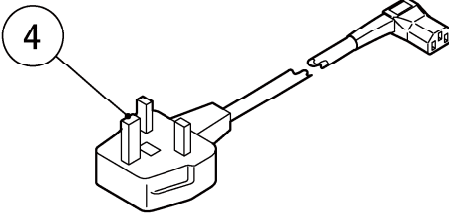
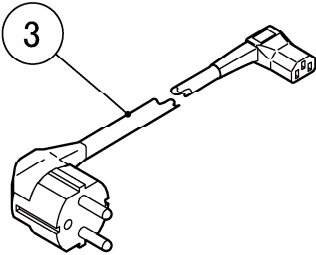
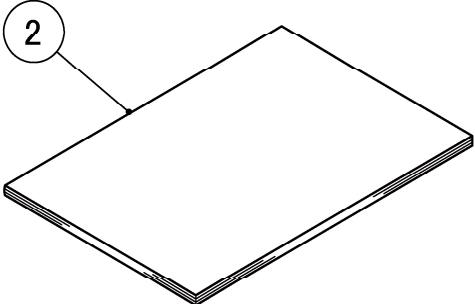
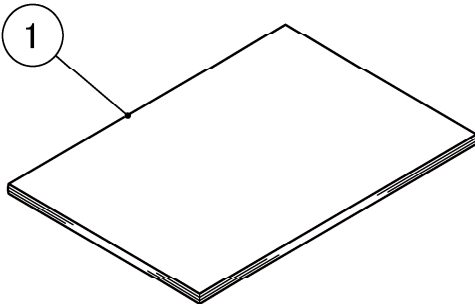
HE

MODEL: FM-300AKE, FM-300AKI		TITLE: K. CONDENSER ASSY						
INDEX NO.	DESCRIPTION	MATERIAL OR MODEL NUMBER	PART NUMBER	REQ'D NUMBER				
				B-1 C-0	C-1			
1	CONDENSER-AIR COOLED		P02264-01	1	1			
2	BRACKET/CONDENSER		476679M01	1	1			
3	SHROUD		262064M01	1	1			
4	T2 TRUSS HEAD SCREW		FT20408F0	6	6			



HE

MODEL: FM-300AKE, FM-300AKE									TITLE: L. FAN MOTOR ASSY								
INDEX NO.	DESCRIPTION	MATERIAL OR MODEL NUMBER	PART NUMBER	REQ'D NUMBER													
				B-1 C-0	C-1												
1	BRACKET-FAN MOTOR		376371M01	1	1												
2	FAN MOTOR		P02528-01	1	1												
3	FLAT WASHER		FWPL04S0	4	4												
4	SPRING WASHER		FWSP04S0	4	4												
5	NUT		FNH104S0	4	4												
6	VIBRATION PAD		P02528F01	1	1												
7	WASHER/PAD		P02528F02	1	1												
8	BOLT		P02528F03	1	1												
9	FAN BLADE		P02529-01	1	1												
10	WIRE RETAINER		427902-03	1	1												



HE

MODEL: FM-300AKE, FM-300AKI		TITLE: M. ACCESSORIES						
INDEX NO.	DESCRIPTION	MATERIAL OR MODEL NUMBER	PART NUMBER	REQ'D NUMBER				
				B-1 C-0	C-1			
1	INSTRUCTION MANUAL		L1F054203	1	1			
2	INSTALLATION MANUAL		L2F054201	1	-			
			L2F054203	-	1			
3	POWER CORD		P00240-01	1	1			
4	POWER CORD		P00241-01	1	1			
5	UNIVERSAL BRACE		4A0363-01	2	2			
6	INLET HOSE		450722-01	1	1			
7	OUTLET HOSE		452365-01	1	1			
8	COVER-CONNECTOR		2X0271P01	1	1			
9	POLYETHYLENE BAG (300*450)		7V90-0015	1	1			
10	PE STANDARD BAG		7V90-0012	1	1			
11	PE BAG (STANDARD)		7V90-0020	1	1			
12	INSTRUCTION MANUAL		122234L01	1	1			