

No. F083-3690

ISSUED: Mar. 29, 2012

REVISED: Nov. 19, 2013



HOSHIZAKI
SELF-CONTAINED FLAKER
MODEL FM-600AKE(-N)
(F083, F083-C106, F083-C130,
F083-C131)

PARTS LIST
(HE)

B-1 MAR. 2012
C-0 JAN. 2013
C-1 JUN. 2013

List of Specifications

FM-600AKE	F083	50Hz
	F083-C130	60Hz
FM-600AKE-N	F083-C106	50Hz, Nugget type
	F083-C131	60Hz, Nugget type

Auxiliary Codes

Auxiliary Code Breakdown

The auxiliary code is the first two characters in the serial number. The first character indicates the year. Years progress or regress in alphabetical order. The series runs from "A" through "V" and the letters "I" and "O" are skipped. The second character indicates significant part changes within a year. Base is "0" and this number advances for each change. In cases where there is a letter in parentheses, this designates the month. This is the last character in the serial number. The series runs from "(A)" through "(M)" and the letter "(I)" is skipped. This designation is only included when identifying a parts change within an auxiliary code.

Note About Ordering Parts

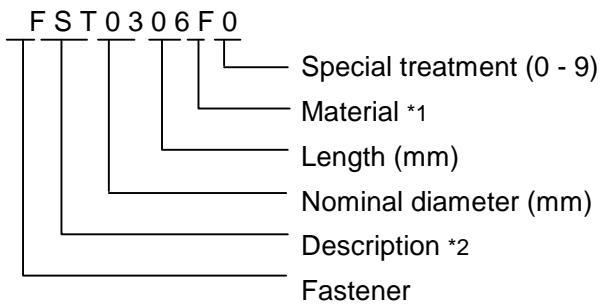
Most assemblies cannot be ordered as complete units; parts in the assemblies generally must be ordered separately.

MARKS LOCATED UNDER THE AUXILIARY CODE

- = Part deleted.
- x = Part deleted and replaced by "o" part.
- o = New part in place of "x" part.

FASTENER PART NUMBER

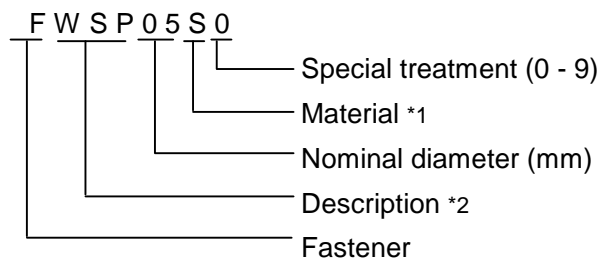
SCREWS



*1 Material

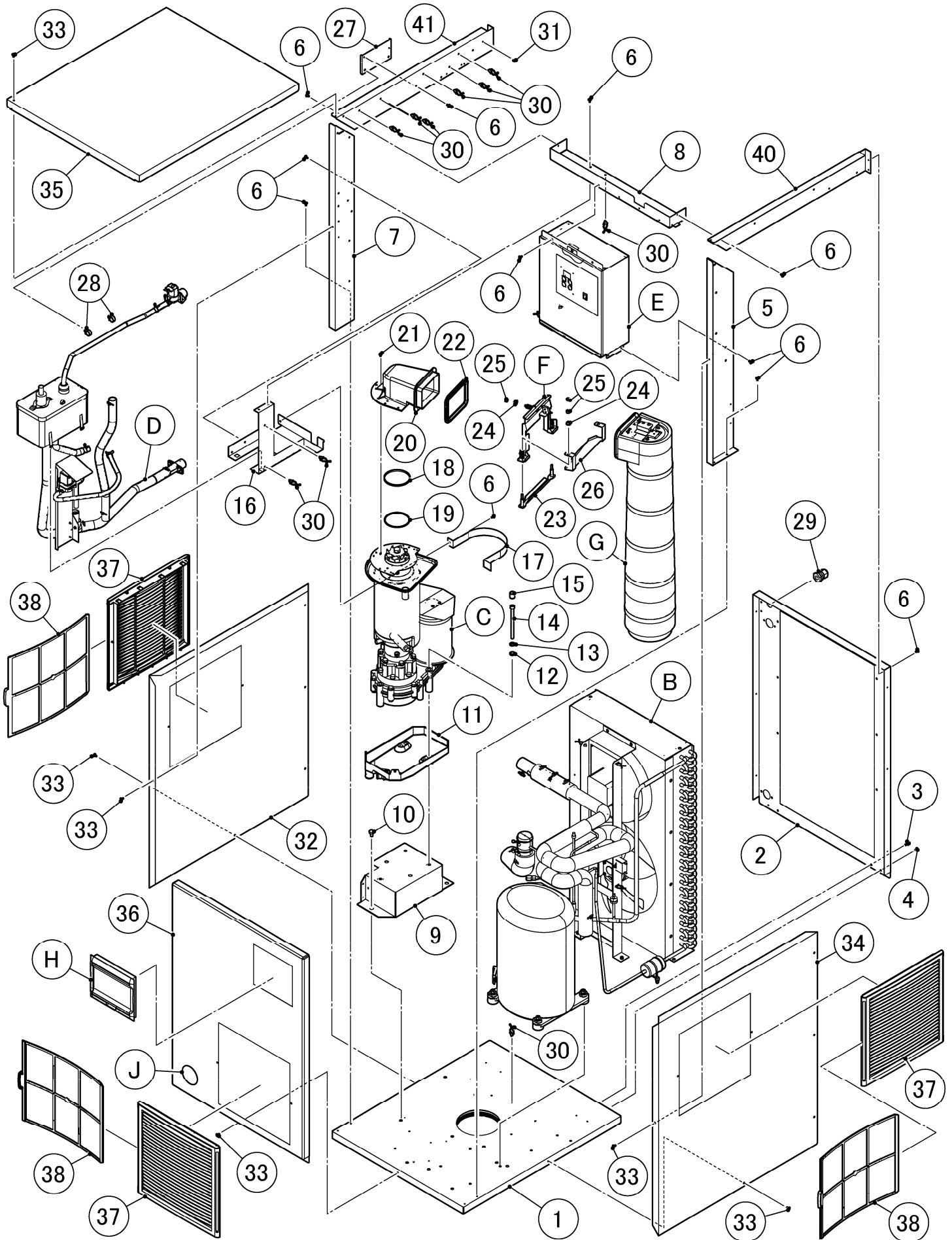
- F: Steel
- S: Austenitic stainless steel
- M: Martensitic stainless steel
- B: Copper alloy
- P: Polycarbonate
- N: Polyamide
- V: PVC
- A: ABS
- X: Polyacetal
- L: Aluminum

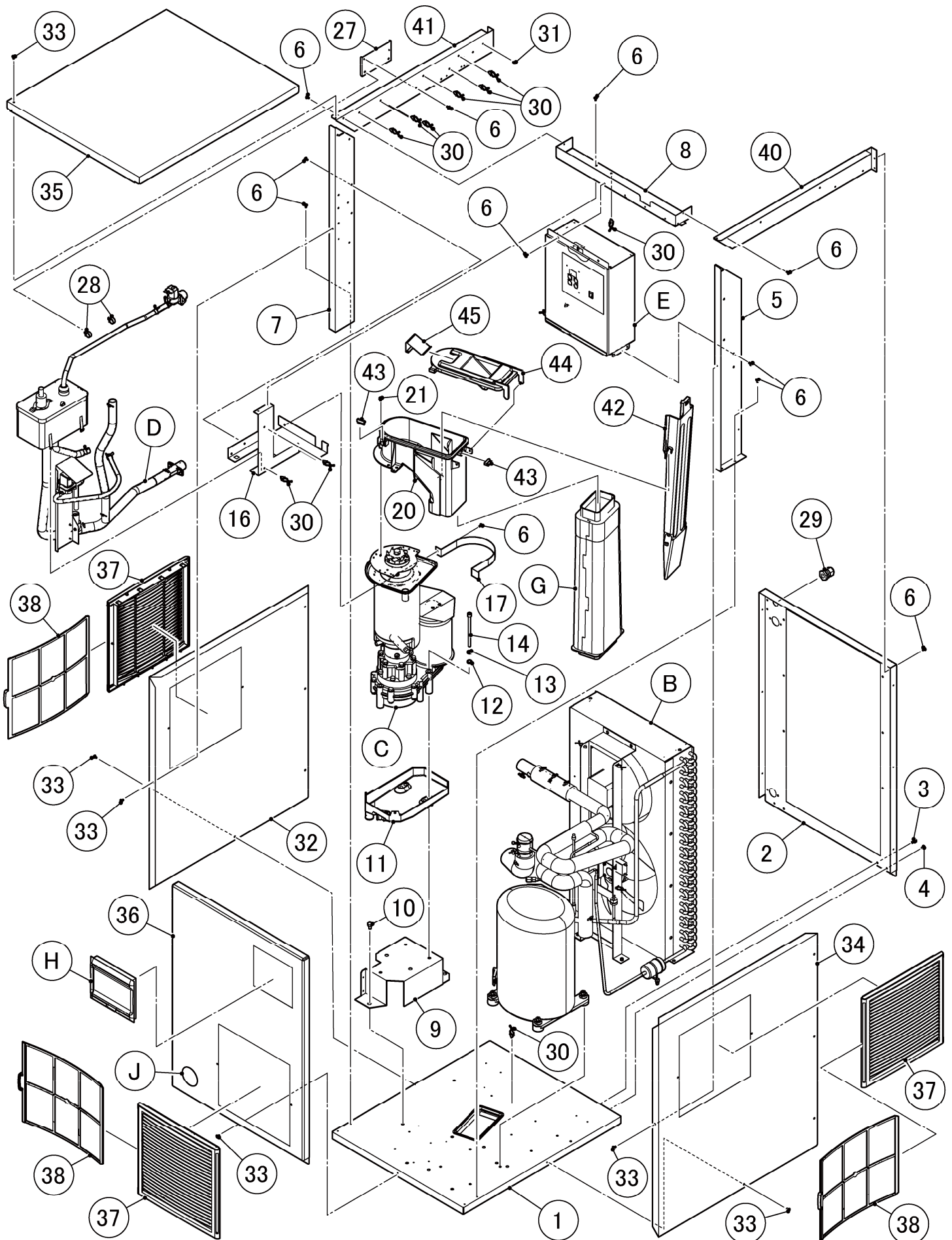
NUTS & WASHERS



*2 Description

- First letter
- S: Machine screw
- T: Tapping screw
- M: Wood screw
- B: Bolt
- W: Washer
- N: Nut





HE

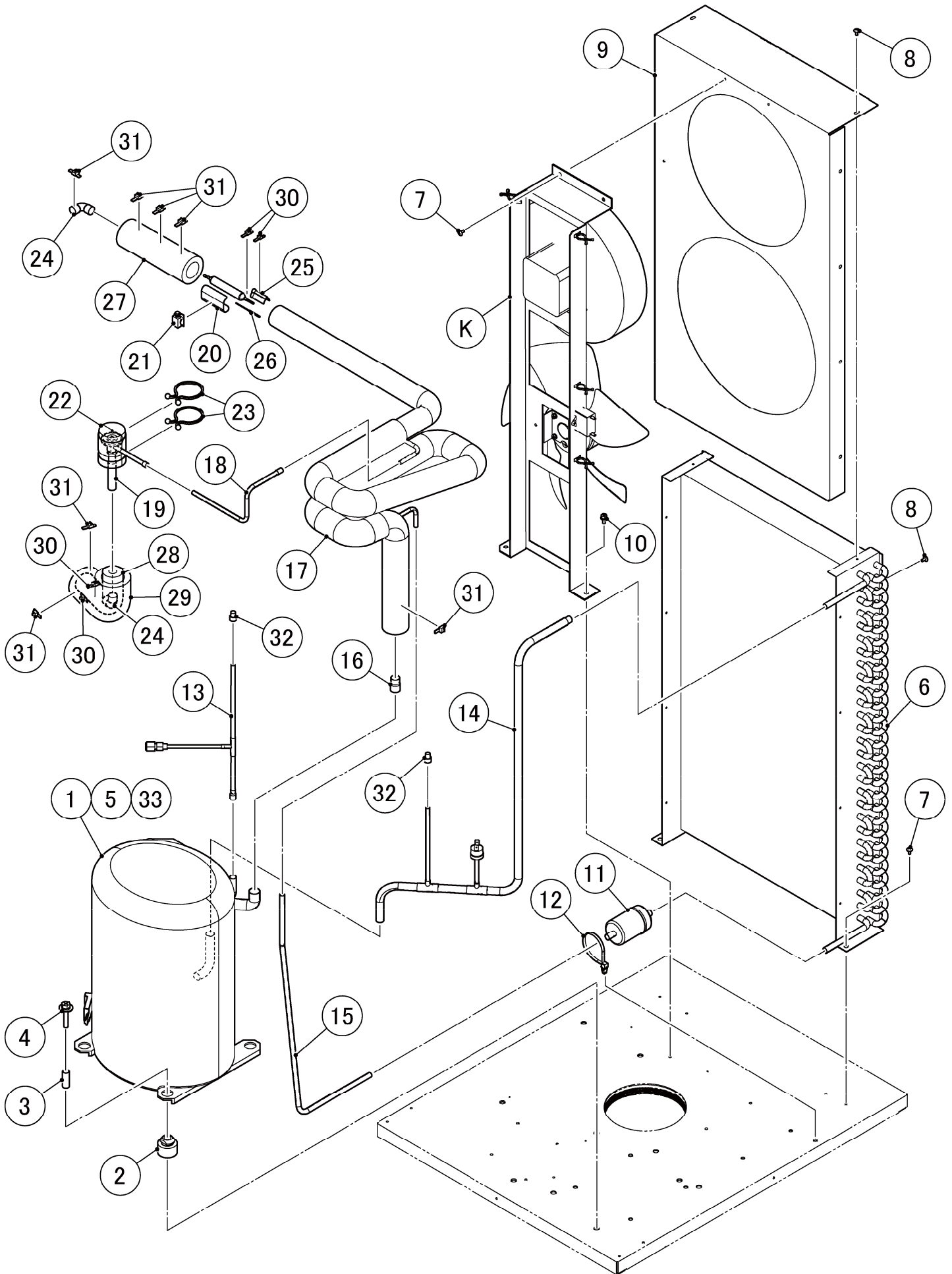
MODEL: FM-600AKE, FM-600AKI		TITLE: A. ICE FLAKER ASSY							
INDEX NO.	DESCRIPTION	MATERIAL OR MODEL NUMBER	PART NUMBER	REQ'D NUMBER					
				B-1 C-0	C-1				
B	REFRIGERATION CIRCUIT		121786A01	1	-				
			122474A01	-	1				
		60Hz F083-C130, F083-C131	121786001	1	-				
			122474001	-	1				
C	ICE MAKING UNIT		261985A02	1	-				
			264097A02	-	1				
		NUGGET F083-C106, F083-C131	261985A05	1	-				
			264097A09	-	1				
D	WATER CIRCUIT		121788A01	1	-				
			122466A01	-	4				
E	CONTROL BOX ASSY	F083-C130, F083-C131	263281A01	1	1				
			263281001	1	1				
F	BAND ASSY		S-9165	1	-				
G	CHUTE ASSY		113006A01	1	-				
			377714A02	-	1				
H	WINDW PANEL ASSY		348243A03	1	1				
J	LABEL LOCATION		262003A01	1	1				
			F083-C106	262003A02	1	1			
			F083-C130	262003001	1	1			
			F083-C131	262003002	1	1			
L	ACCESSORIES		A02215-01	1	1				
1	CHASSIS		261981G01	1	-				
			264143G01	-	1				
2	REAR PANEL		121785M01	1	1				
3	HEX HEAD BOLT (SPRING WASHER AND FLAT WASHER)		FBK0512S0	2	2				
4	T2 TRUSS HEAD SCREW		FT20408F0	2	2				
5	SIDE FRAME (R1)		264212M01	1	2				
6	TRUSS HEAD SCREW		FST0408F0	23	24				
7	SIDE FRAME (L1)		264214M01	1	2				
8	FRONT FRAME		261984M01	1	2				

HE

MODEL: FM-600AKE, FM-600AKI		TITLE: A. ICE FLAKER ASSY						
INDEX NO.	DESCRIPTION	MATERIAL OR MODEL NUMBER	PART NUMBER	REQ'D NUMBER				
				B-1 C-0	C-1			
9	BRACKET - GEAR MOTOR		373520G01	1	-			
			374371G01	-	1			
10	HEX HEAD BOLT		FBH0812S0	3	3			
11	DRAIN PAN		261640P01	1	1			
12	SEAL WASHER		458299-01	3	3			
13	SPRING WASHER		FWSP08S0	3	3			
14	HEXAGON SOCKET HEAD CAP SCREW		461285-01	3	3			
15	VINYL CAP		451272-01	3	-			
16	BRACKET-RESERVOIR		261986M01	1	-			
			264139M01	-	1			
17	BAND		475195M01	1				
18	RING		432661-02	1	-			
19	O-RING		7616-G070	1	-			
20	SPOUT		104797-01	1	-			
			478015G01	-	1			
21	HEX HEAD BOLT (SPRING WASHER AND FLAT WASHER)		FBK0408S0	3	3			
22	PACKING		454256-01	1	-			
23	BAND (B)		459995G01	1	-			
24	FLANGE NUT		FNHF06S0	3	-			
25	NUT		FNH106F0	5	-			
26	DRIP GUIDE		350725-01	1	-			
27	BRACKET-WATER SUPPLY		476650M01	1	1			
28	CLAMP		428644-03	2	2			
29	POWER SUPPLY CORD		466418-01	1	1			
30	WIRE RETAINER		427902-03	10	10			
31	PAN HEAD SCREW SW		FSK0408S0	1	1			
32	SIDE PANEL (L)		263237M01	1	1			
33	TRUSS HEAD SCREW		FST0408S0	12	12			
34	SIDE PANEL (R)		263238M01	1	1			
35	TOP PANEL		261991M01	1	1			
36	FRONT PANEL (A)		122243G01	1	1			
37	LOUVER		121931P01	3	3			

HE

MODEL: FM-600AKE, FM-600AKI		TITLE: A. ICE FLAKER ASSY						
INDEX NO.	DESCRIPTION	MATERIAL OR MODEL NUMBER	PART NUMBER	REQ'D NUMBER				
				B-1 C-0	C-1			
38	AIR FILTER		262259G01	3	3			
39	PERFECT LOCK		466342-01	1	1			
40	SIDE FRAME (R2)		264213M01	1	1			
41	SIDE FRAME (L2)		264215M01	1	1			
42	ACTUATOR		377676G02	-	1			
		F083-C106, F083-C131	377676G01	-	1			
43	REED SWITCH		P02940-01	-	2			
44	SPOUT COVER - 70		263887G01	-	1			
45	SPRING - SPOUT		478013M01	-	1			

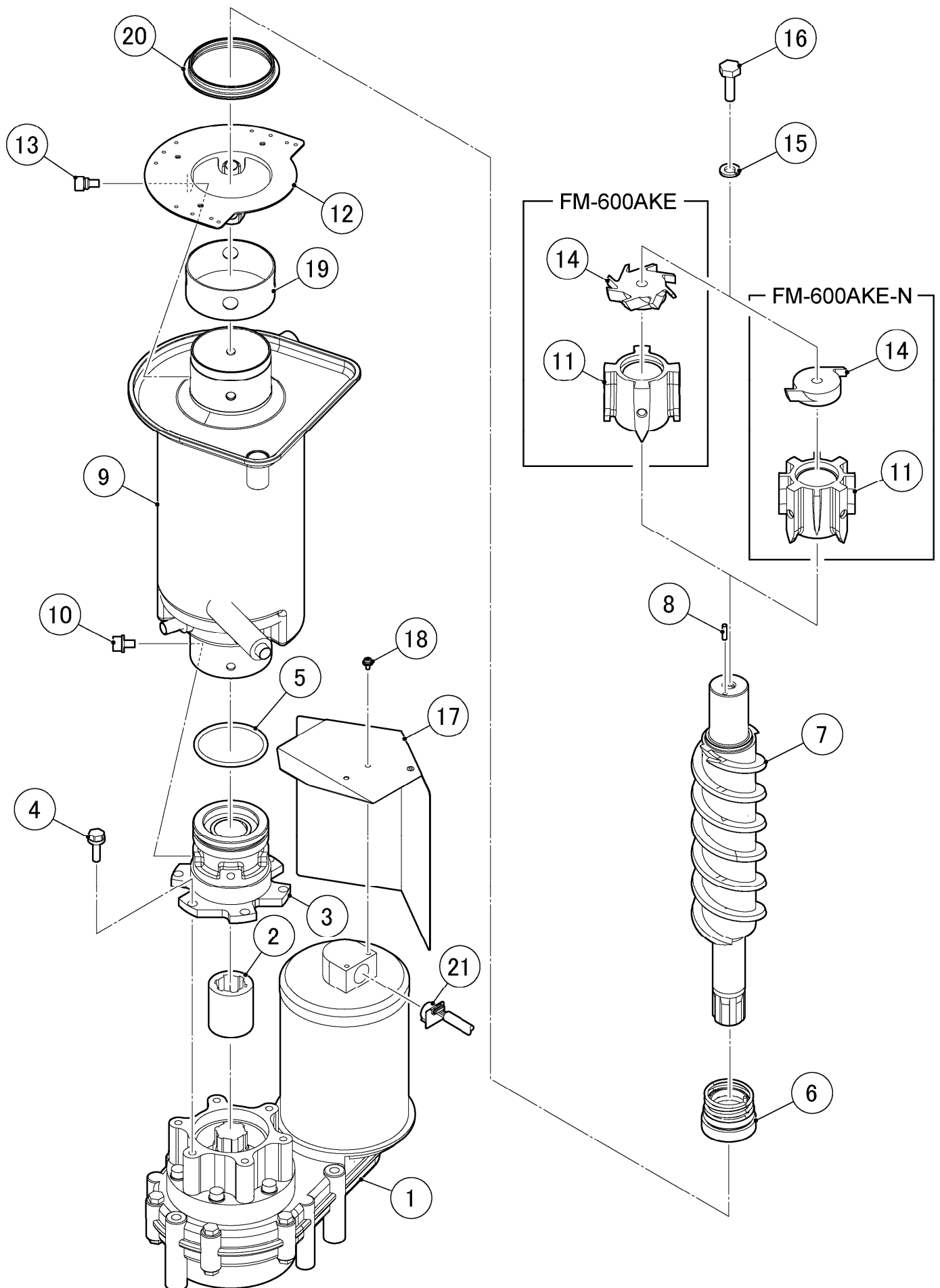


HE

MODEL: FM-600AKE, FM-600AKI								
TITLE: B. REFRIGERATION CIRCUIT								
INDEX NO.	DESCRIPTION	MATERIAL OR MODEL NUMBER	PART NUMBER	REQ'D NUMBER				
				B-1 C-0	C-1			
K	FAN MOTOR ASSY		262065A01	1	1			
1	COMPRESSOR		P02588-01	1	1			
		F083-C130, F083-C131	4A4890-01	1	1			
2	GROMMET		434922-02	4	4			
3	SPACER		434921-01	4	4			
4	BOLT		436206-04	4	4			
5	CRANKCASE HEATER		4A5397-01	1	1			
6	CONDENSER-AIR COOLED		P00729-01	1	1			
7	TRUSS HEAD SCREW		FST0408F0	4	4			
8	T2 TRUSS HEAD SCREW		FT20408F0	16	16			
9	SHROUD		121787M01	1	1			
10	HEX HEAD BOLT (SPRING WASHER AND FLAT WASHER)		FBK0512S0	2	2			
11	DRIER		462965-01	1	1			
12	TIE		436156-02	1	1			
13	COPPER TUBE-ACCESS VALVE		466222G01	1	1			
14	COPPER TUBE(A)-H		261987G01	1	1			
15	COPPER TUBE(B)-L		376325M01	1	1			
16	REDUCER		420915-04	1	1			
17	HEAT EXCHANGER		376326G01	1	-			
			377792G01	-	1			
18	COPPER TUBE(D)-H		476649M01	1	-			
			478102M01	-	1			
19	EXPANSION VALVE		453868-01	1	1			
20	HOLDER - EXP. VALVE 1/2		3A0112-01	1	1			
21	CLAMP		443461-01	1	1			
22	VALVE COVER		3Y3196P01	1	1			
23	CLAMP		P00752-01	2	2			
24	ELBOW		417395-03	2	2			
25	HOLDER - THERMISTOR		427430-01	1	1			

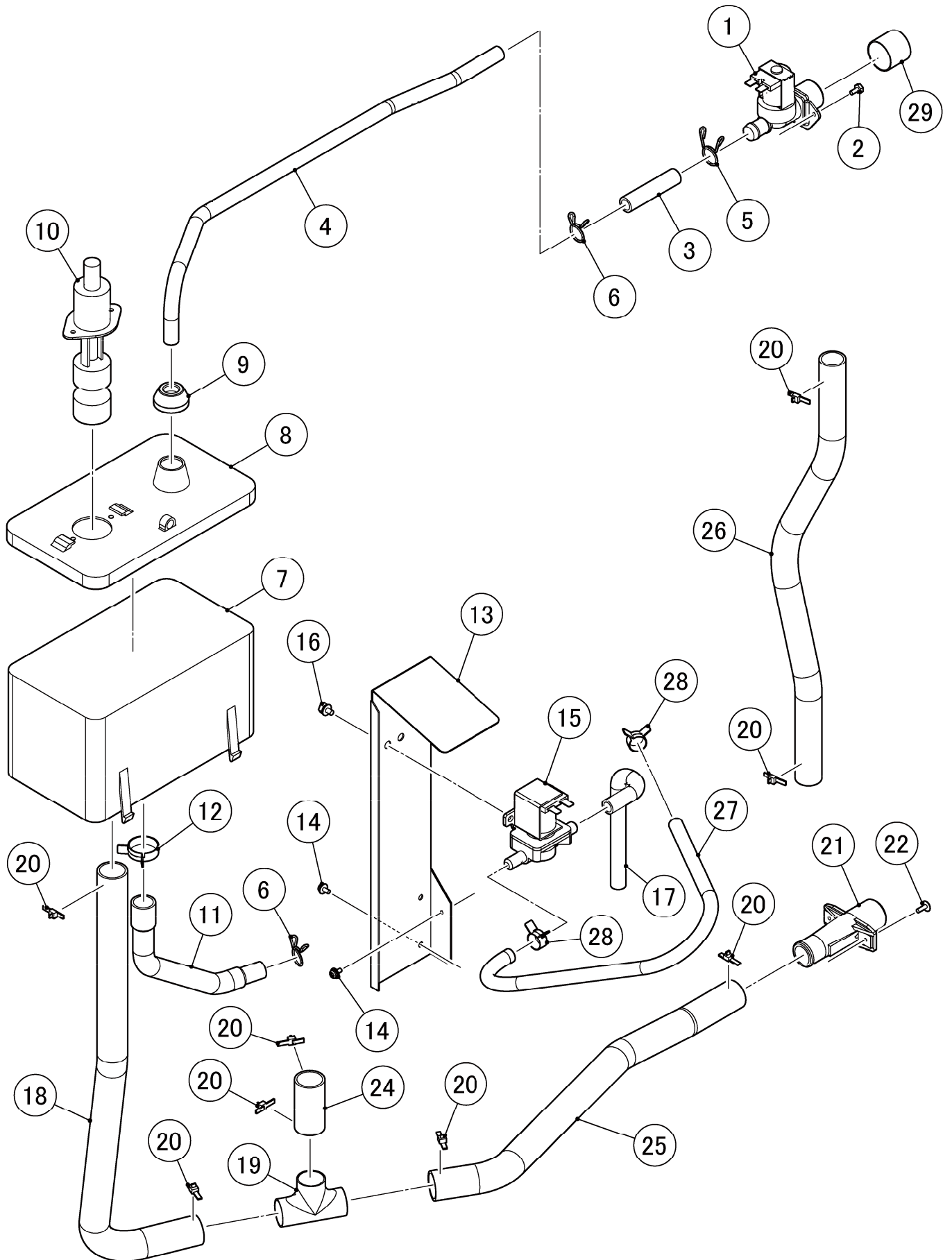
HE

MODEL: FM-600AKE, FM-600AKI		TITLE: B. REFRIGERATION CIRCUIT						
INDEX NO.	DESCRIPTION	MATERIAL OR MODEL NUMBER	PART NUMBER	REQ'D NUMBER				
				B-1 C-0	C-1			
26	THERMISTOR ASSY		475407G01	1	1			
27	Insulation Tube		H72949B15	1	1			
28	INSULATION TUBE		H71333B35	1	1			
29	Insulation Tube		H73858B28	1	1			
30	TIE	CV-150	7920-0003	4	4			
31	NYLON TIE	CV-200	7920-0010	7	7			
32	LOCKRING STOPPER		P01677-01	2	2			
33	NEOBELT PC		446470-01	1	1			



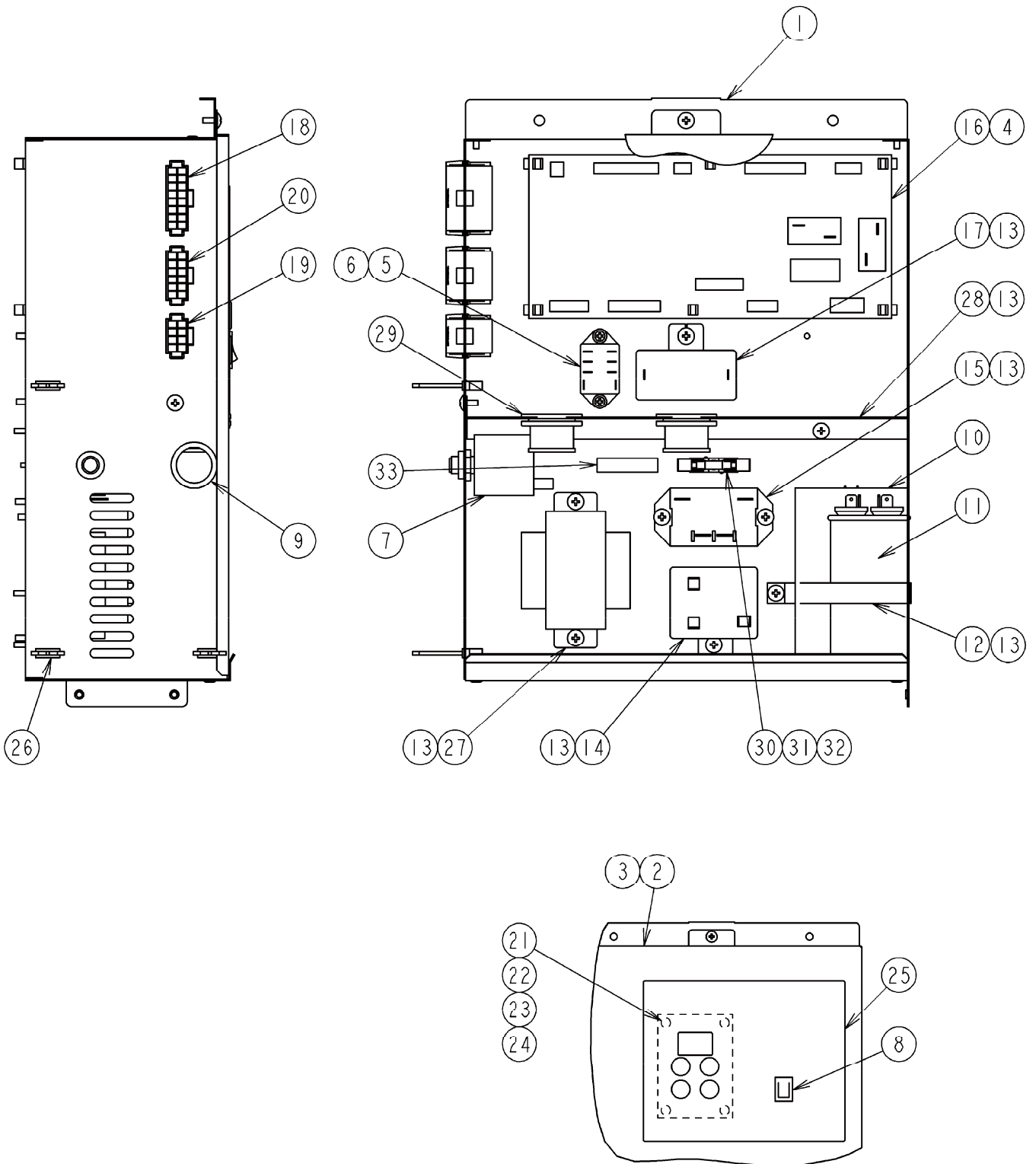
HE

MODEL: FM-600AKE, FM-600AKI		TITLE: C. ICE MAKING UNIT						
INDEX NO.	DESCRIPTION	MATERIAL OR MODEL NUMBER	PART NUMBER	REQ'D NUMBER				
				B-1 C-0	C-1			
1	GEAR MOTOR		466223-01	1	1			
2	COUPLING		414137-01	1	1			
3	BEARING (LOWER)		206657G02	1	1			
4	HEX.HEAD BOLT W/WASHER (SW)		461888-01	6	6			
		F083-C106, F083-C131			1			
5	O-RING		7616-G065	1	1			
6	MECHANICAL SEAL		432492-01	1	1			
7	AUGER		120863G02	1	1			
8	PIN		713S-0416	1	1			
9	EVAPORATOR		258997G01	1	1			
10	SCREW		P01719-01	4	4			
		F083-C106, F083-C131			1			
11	EXTRUDING HEAD-70F		327097G03	1	1			
	EXTRUDING HEAD-70N	F083-C106, F083-C131	216531G03	1	1			
12	FLANGE-70		476246G02	1	-			
			372207M01	-	1			
13	SEAL BOLT - M8		P01768-01	4	4			
		F083-C106, F083-C131			1			
14	CUTTER		317071-02	1	1			
		F083-C106, F083-C131	327145-01	1	1			
15	SPRING WASHER		FWSP10S0	1	1			
16	SCREW-BOLT		458101-01	1	1			
17	COVER-GEAR MOTOR		475224G01	1	1			
18	PAN HEAD SCREW SW		FSK0408S0	2	2			
		F083-C106, F083-C131			1			
19	BELT HEATER	F083-C106, F083-C131	P02370-01	1	1			
20	PACKING - SPOUT		473494R01	-	1			
21	ROTATION SENSOR	GEAR MOTOR ACCESSORY	459861-03	1	1			



HE

MODEL: FM-600AKE, FM-600AKI									TITLE: D. WATER CIRCUIT								
INDEX NO.	DESCRIPTION	MATERIAL OR MODEL NUMBER	PART NUMBER	REQ'D NUMBER													
				B-1 C-0	C-1												
1	WATER VALVE		452993-01	1	1												
2	HEX HEAD BOLT		FBH0408S0	2	2												
3	SI HOSE		H11014060	1	1												
4	PIPE-WATER SUPPLY		376329M01	1	1												
5	HOSE CLAMP		435934-03	1	1												
6	HOSE CLAMP		435934-02	2	2												
7	RESERVOIR		232626-01	1	1												
8	COVER - RESERVOIR		232627-01	1	1												
9	COVER - RESERVOIR INLET		415094-01	1	1												
10	FLOAT SWITCH		458279-01	1	1												
11	HOSE		372321R01	1	1												
12	CLIP BAND		423866-08	1	1												
13	BRACKET - VALVE		373530M01	1	1												
14	FAN HEAD MACHINE SCREW (SPRING WASHER AND FLAT WASHER)		FSK0408F0	3	3												
15	WATER VALVE		468655-01	1	1												
16	HEX HEAD BOLT (SPRING WASHER AND FLAT WASHER)		FBK0508F0	2	2												
17	DRAIN HOSE (B)		459329-01	1	1												
18	PVC Hose - FSA		HD2226520	1	-												
			HD2226500	-	1												
19	TEE		120228M01	1	1												
20	TIE		7920-0003	8	8												
21	DRAIN PIPE		321035-01	1	1												
22	TRUSS HEAD TAPPING SCREW T2		FT20410S0	2	2												
24	PVC Hose - FSA		HD2226050	1	-												
			HD2226045	-	1												
25	PVC Hose - FSA		HD2226400	1	1												
26	PVC Hose (Food Grade)		HD1923460	1	1												
27	PVC Hose - FSA		HD0912450	1	1												
28	CLAMP		423866-03	2	2												
29	CAP		417323-01	1	1												

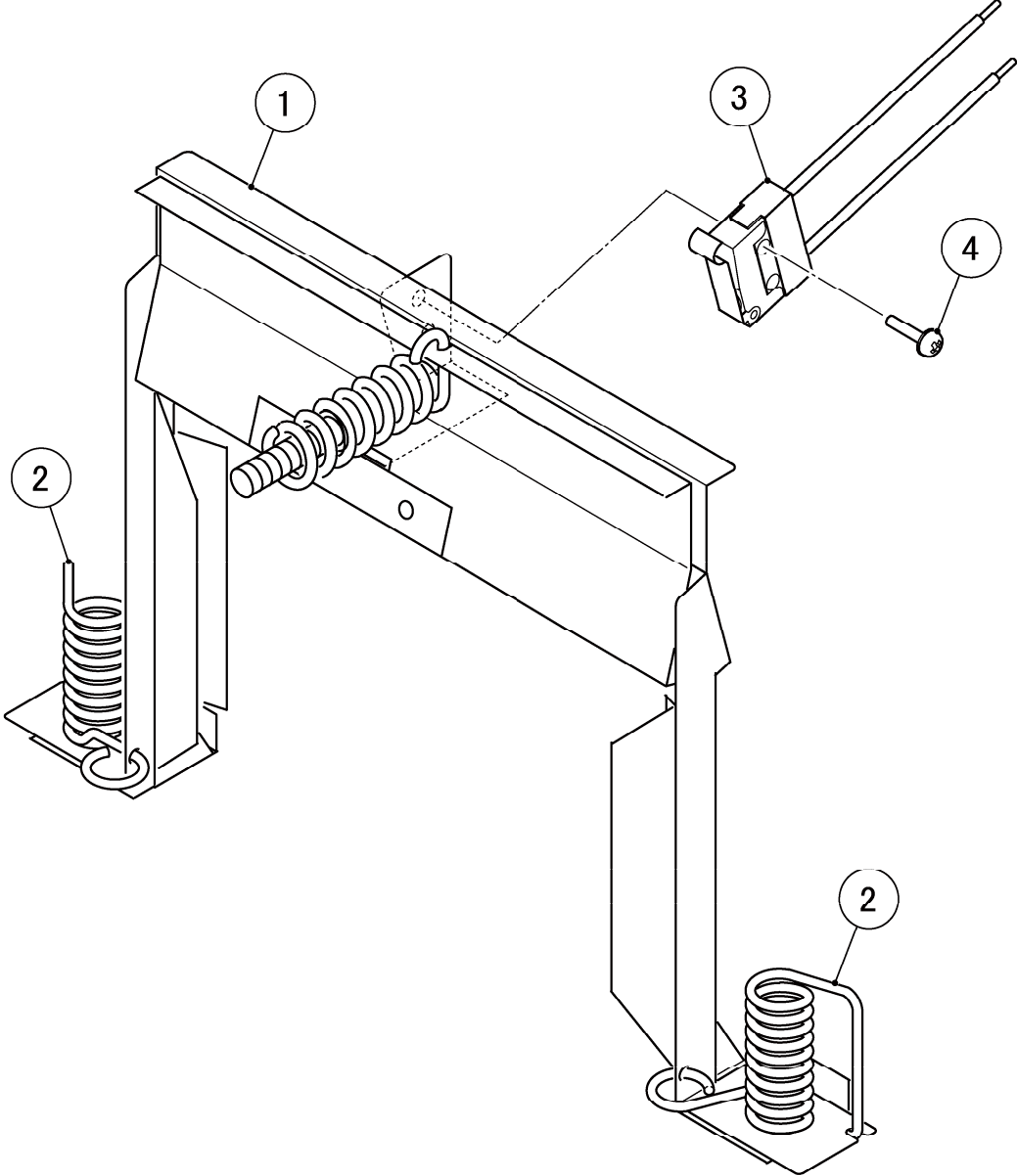


HE

MODEL: FM-600AKE, FM-600AKI								
TITLE: E. CONTROL BOX ASSY								
INDEX NO.	DESCRIPTION	MATERIAL OR MODEL NUMBER	PART NUMBER	REQ'D NUMBER				
				B-1 C-0	C-1			
1	CONTROL BOX		122174G01	1	1			
2	COVER - CONTROL BOX		376330G01	1	1			
3	TRUSS HEAD SCREW	4x8	FST0408F0	1	1			
4	BOARD SUPPORT	KGLS-6S	414929-01	6	6			
5	RELAY	LY2F AC240V	406132-08	1	1			
6	T2(S) FLANGED PAN HEAD SCREW	3x8	431415-01	2	2			
7	PROTECTOR	W58-XB1A41-25	425201-03	1	1			
8	ROCKER SWITCH		460681-01	1	1			
9	BUSHING	OCB-1000	428394-05	1	1			
10	CAPACITOR - STARTING	091A216B330DE8R	3A0076-18	1	1			
		F083-C130, F083-C131	3A0076-12	1	1			
11	CAPACITOR	40MFD 370V	3A2005-13	1	1			
12	STRAP		434174-02	1	1			
13	T2 TRUSS HEAD SCREW	4x8	FT20408F0	9	9			
14	STARTER	3AR33CT24S5	4A1107-13	1	1			
		F083-C130, F083-C131	4A1107-09	1	1			
15	POWER RELAY	67L-1A-TUB	P00034-01	1	1			
16	CONTROLLER BOARD - 09CM		P01372-99	1	1			
17	CAPACITOR	CMPS45B605UWC	459704-01	1	1			
18	HARNESS (A)		376352G01	1	1			
19	HARNESS (B)		473845G01	1	1			
20	HARNESS (C)		374366G01	1	1			
21	SPACER	4EP-9	451658-05	4	4			
22	OPERATION BOARD - 09CM		P01373-01	1	1			
23	FLAT WASHER		FWPL03P0	4	4			
24	NUT		FNH103F0	4	4			
25	CONTROL LABEL		374148L01	1	1			
26	WIRE RETAINER	No.249	427902-03	3	3			
27	TRANSFORMER	TH6632-220/230/240	P02623-01	1	1			
28	SEPARATOR/BOX		377045M01	1	1			
29	GROMMET		4H2568-01	2	2			

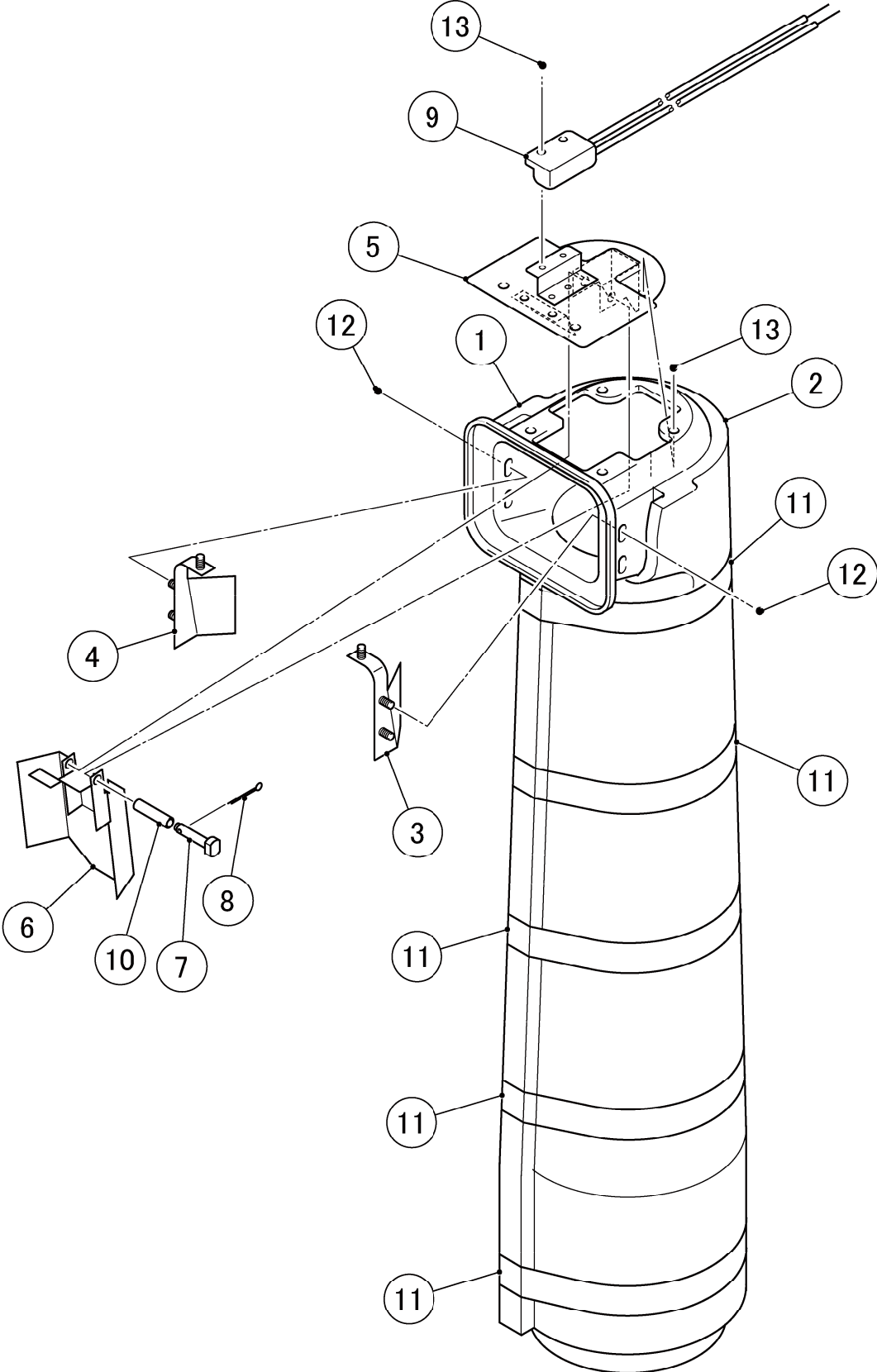
HE

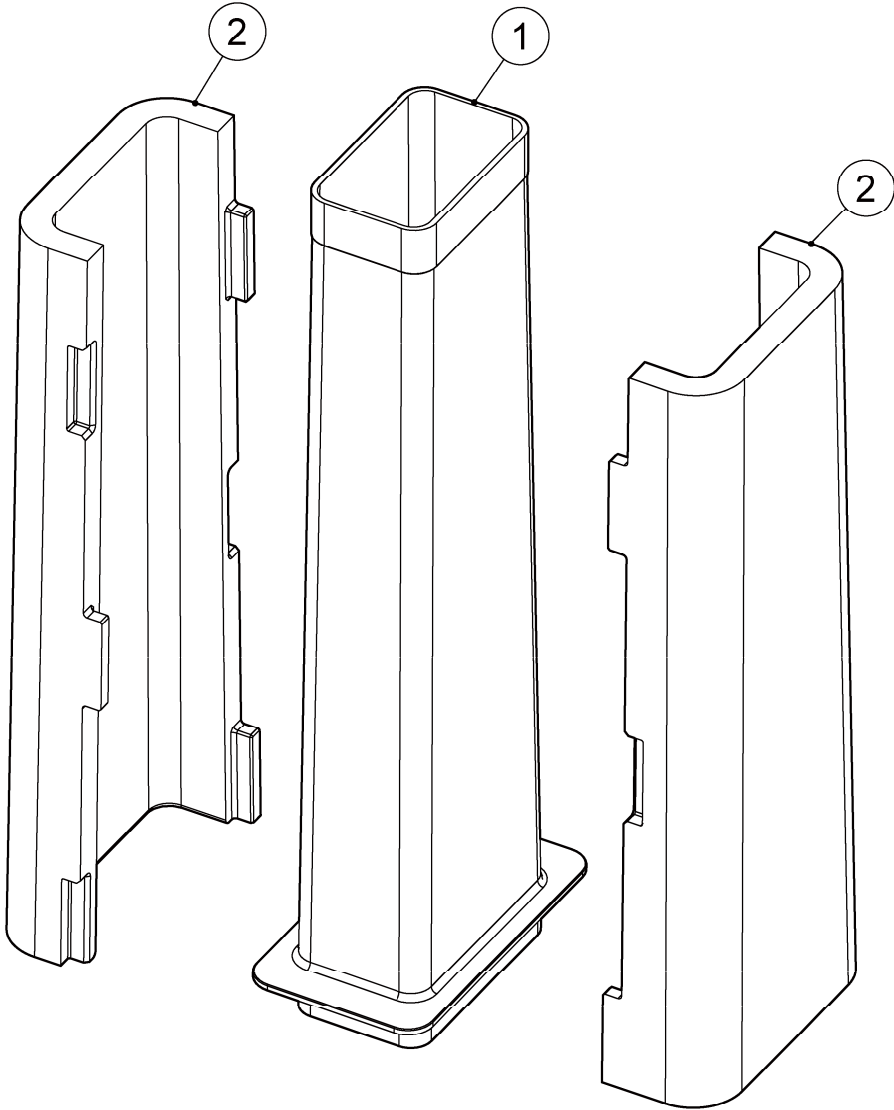
MODEL: FM-600AKE, FM-600AKI		TITLE: E. CONTROL BOX ASSY						
INDEX NO.	DESCRIPTION	MATERIAL OR MODEL NUMBER	PART NUMBER	REQ'D NUMBER				
				B-1 C-0	C-1			
30	FUSE HOLDER	CFH15	4Y2547-01	1	1			
31	FUSE	2183.15 250VAC 3.15A	451924-02	1	1			
32	PAN HEAD TAPPING SCREW T2	3x8	FT50308F0	1	1			
33	LABEL/FUSE		477494L01	1	1			



HE

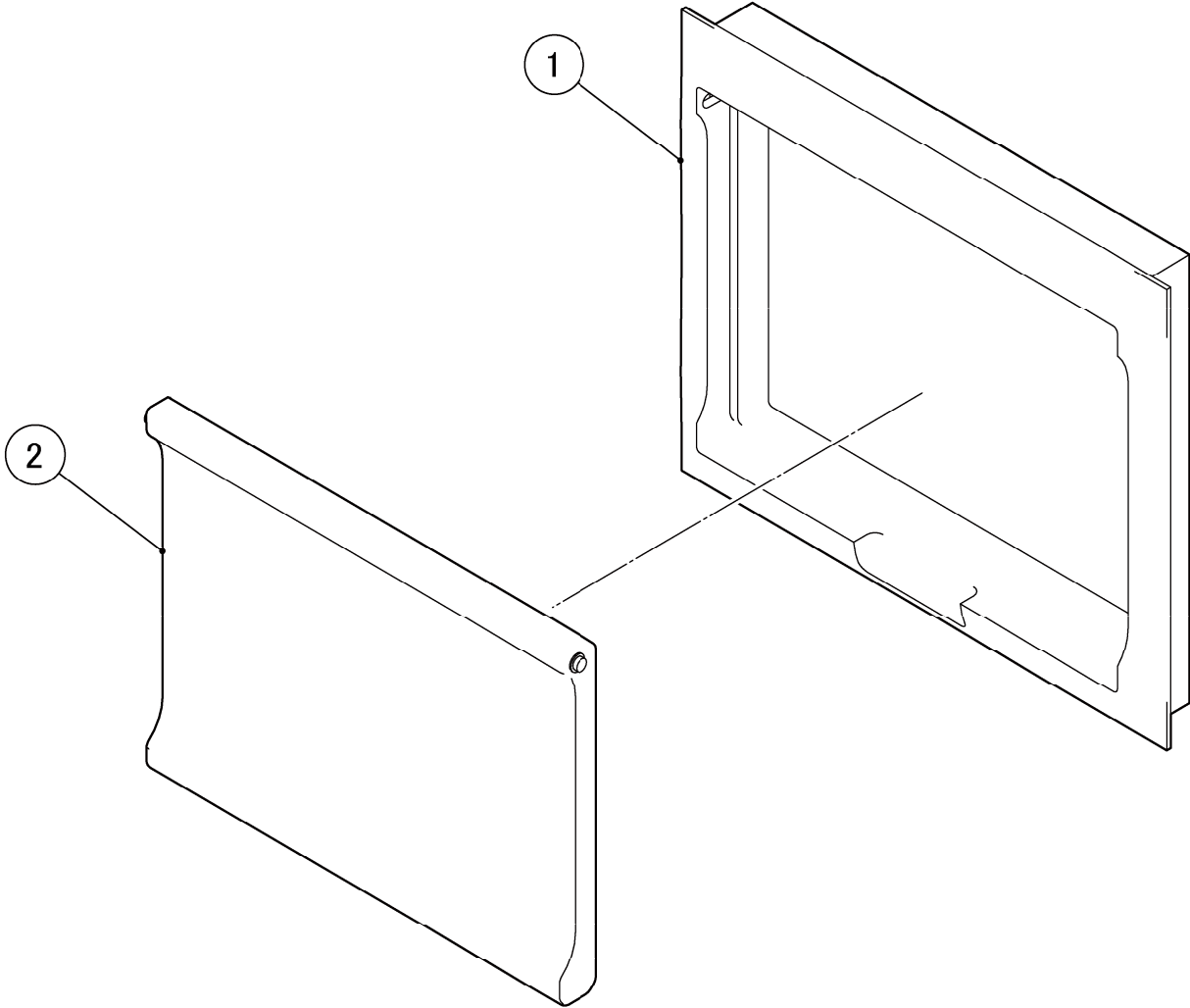
MODEL: FM-600AKE, FM-600AKI		TITLE: F. BAND ASSY						
INDEX NO.	DESCRIPTION	MATERIAL OR MODEL NUMBER	PART NUMBER	REQ'D NUMBER				
				B-1				
1	BAND (A)		348305G01	1				
2	SPRING (A)		459997-01	2				
3	MICROSWITCH		443992-02	1				
4	PAN HEAD MACHINE SCREW (SPRING WASHER AND FLAT		470416-01	2				





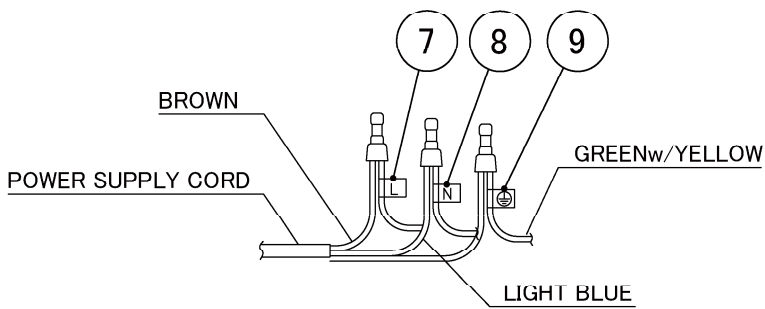
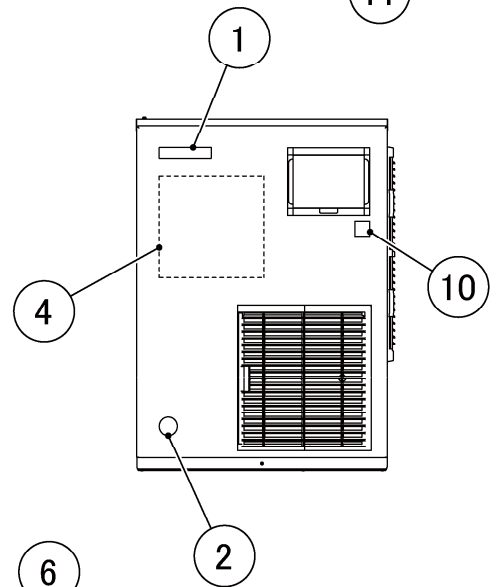
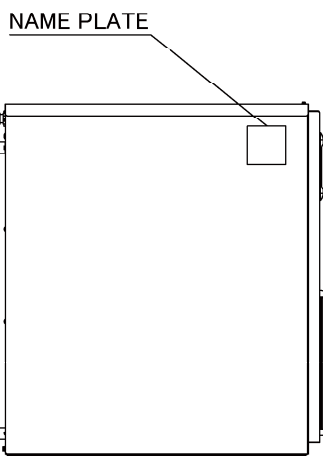
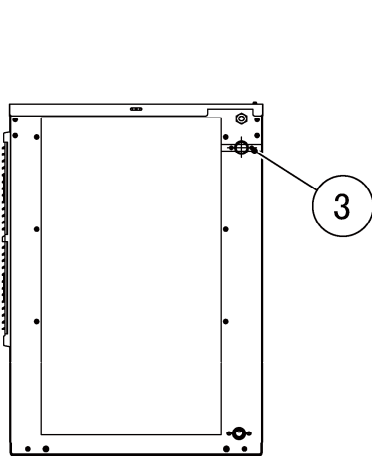
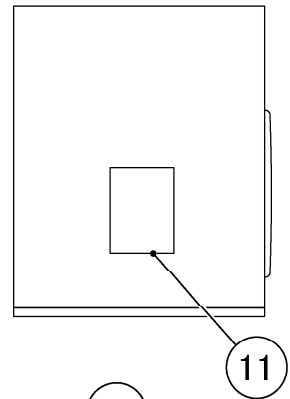
HE

MODEL: FM-600AKE, FM-600AKI		TITLE: G. CHUTE ASSY						
INDEX NO.	DESCRIPTION	MATERIAL OR MODEL NUMBER	PART NUMBER	REQ'D NUMBER				
				B-1 C-0	C-1			
1	CHUTE		214823-01	1	-			
			263897P02	-	1			
2	INSULATION-CHUTE		235310-01	1	-			
			214823-01	-	2			
3	BAFFLE - CHUTE (A)		325122G01	1	-			
4	BAFFLE - CHUTE (B)		325123G01	1	-			
5	BIN CONTROL		353918G01	1	-			
6	ACTUATOR		436848G05	1	-			
7	SHAFT		458813-01	1	-			
8	SPLIT PIN		711SP1612	1	-			
9	PROXIMITY SWITCH		4A2033-01	1	-			
10	TUBE		461623-01	1	-			
11	TAPE		113006Z01	5	-			
12	WING NUT		FNW204S0	6	-			
13	TRUSS HEAD SCREW		FST0406S0	4	-			

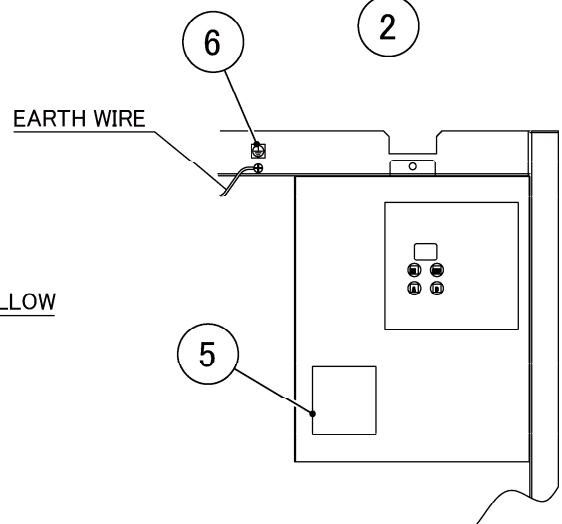


HE

MODEL: FM-600AKE, FM-600AKI		TITLE: H. WINDW PANEL ASSY						
INDEX NO.	DESCRIPTION	MATERIAL OR MODEL NUMBER	PART NUMBER	REQ'D NUMBER				
				B-1 C-0	C-1			
1	WIND FRAME		232648-01	1	1			
2	WIND PANEL		232649-03	1	1			



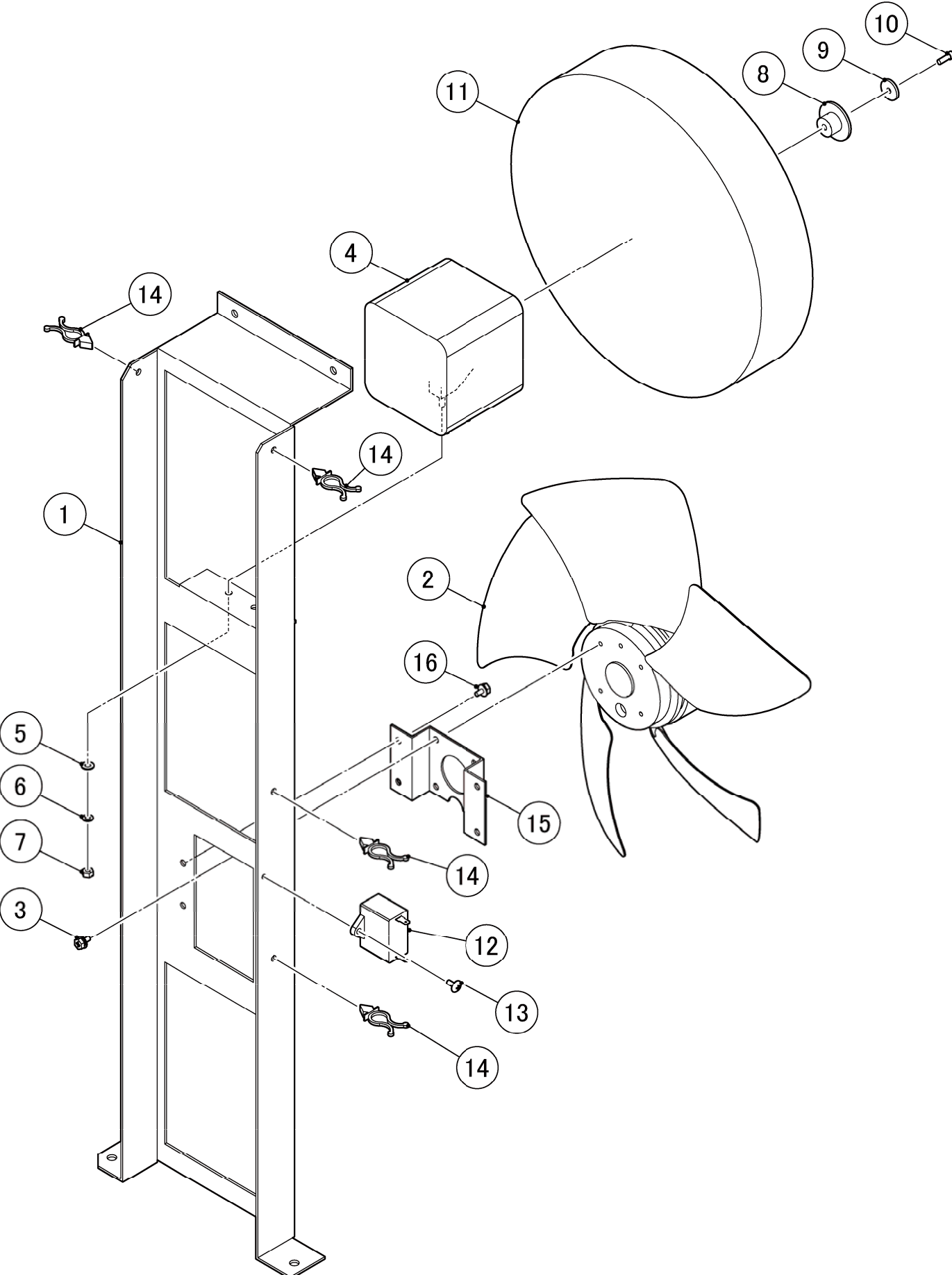
DETAIL LABEL - TERMINAL



DETAIL - CONTROL BOX
DETAIL LABEL-GROUND

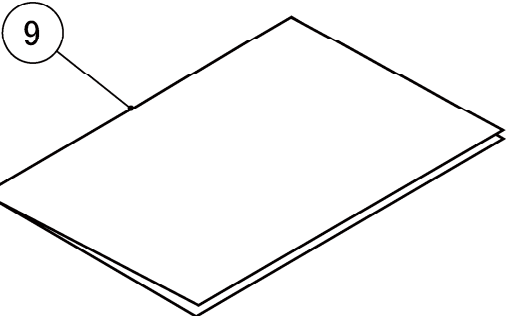
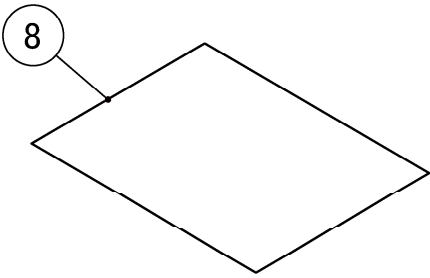
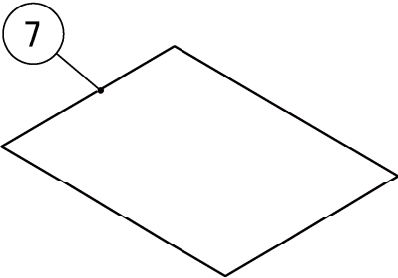
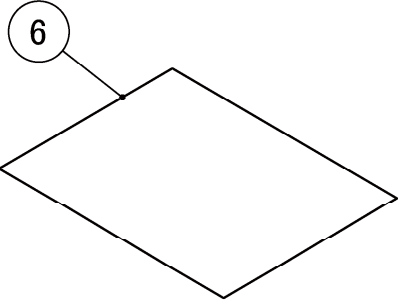
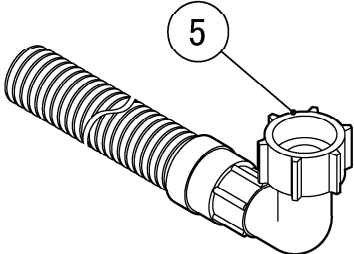
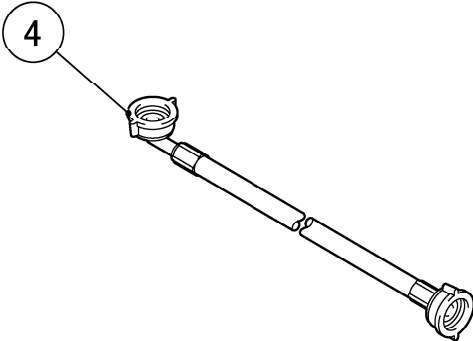
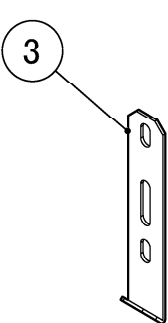
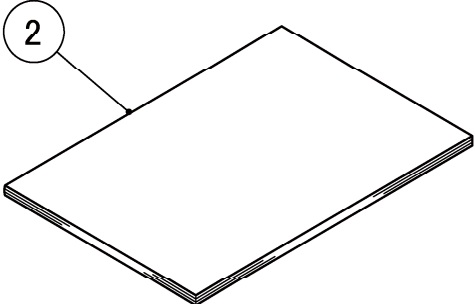
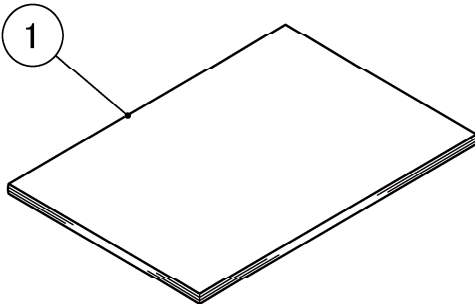
HE

MODEL: FM-600AKE, FM-600AKI								
TITLE: J. LABEL LOCATION								
INDEX NO.	DESCRIPTION	MATERIAL OR MODEL NUMBER	PART NUMBER	REQ'D NUMBER				
				B-1 C-0	C-1			
1	EMBLEM		340842-01	1	1			
2	LABEL-PENGUIN		454387-01	1	1			
3	CAUTION-LABEL		452552-01	1	1			
4	WIRING LABEL		262004L0	1	-			
			264595L01	-	1			
5	CAUTION LABEL - SERVICE		471180L01	1	1			
6	LABEL - EARTH (B)		450452-02	1	1			
7	LABEL-TERMINAL		452379-03	1	1			
8	LABEL - TERMINAL		452379-04	1	1			
9	LABEL-TERMINAL		452379-05	1	1			
10	LABEL - HACCP		476519L01	1	1			



HE

MODEL: FM-600AKE, FM-600AKE-I									TITLE: K. FAN MOTOR ASSY								
INDEX NO.	DESCRIPTION	MATERIAL OR MODEL NUMBER	PART NUMBER	REQ'D NUMBER													
				B-1 C-0	C-1												
1	BRACKET(A)-FAN MOTOR		262066M01	1	1												
2	FAN MOTOR		P02394-01	1	1												
3	HEX HEAD BOLT (SPRING WASHER AND FLAT WASHER)		FBK0408S0	4	4												
4	FAN MOTOR		P02528-01	1	1												
5	FLAT WASHER		FWPL04S0	4	4												
6	SPRING WASHER		FWSP04S0	4	4												
7	NUT		FNH104S0	4	4												
8	VIBRATION PAD		P02528F01	1	1												
9	WASHER/PAD		P02528F02	1	1												
10	BOLT		P02528F03	1	1												
11	FAN BLADE		P02529-01	1	1												
12	CAPACITOR		P01865-01	1	1												
13	TRUSS HEAD SCREW		FST0408F0	1	1												
14	WIRE RETAINER	No.249	427902-03	4	4												
15	BRACKET (B)-FAN MOTOR		476680M01	1	1												
16	HEX HEAD BOLT (SPRING WASHER AND FLAT WASHER)		FBK0408S0	4	4												



HE

MODEL: FM-600AKE, FM-600AKI		TITLE: L. ACCESSORIES						
INDEX NO.	DESCRIPTION	MATERIAL OR MODEL NUMBER	PART NUMBER	REQ'D NUMBER				
				B-1 C-0	C-1			
1	INSTRUCTION MANUAL		L1F054203	1	1			
2	INSTALLATION MANUAL		L2F054201	1	-			
			L2F054203	-	1			
3	UNIVERSAL BRACE		4A0363-01	2	2			
4	INLET HOSE		450722-01	1	1			
5	OUTLET HOSE		452365-01	1	1			
6	POLYETHYLENE BAG (300*450)		7V90-0015	1	1			
7	PE STANDARD BAG		7V90-0012	1	1			
8	PE BAG (STANDARD)		7V90-0020	1	1			
9	INSTRUCTION MANUAL		122234L01	1	1			