

NO. E1BA-2193  
ISSUED: JAN.31.2000  
FINAL: JUN.22.2005



**HOSHIZAKI  
SELF-CONTAINED CUBER**

**MODEL IM-240WME  
IM-240WME-21  
IM-240WME-23**

**PARTS LIST**

[HE, GENERAL (50Hz), HSP, KOREA]

J-1	JUL.	1999	C-0	DEC.	2002
K-0	DEC.	1999	D-0	DEC.	2003
A-0	DEC.	2000	D-1	NOV.	2004
B-0	DEC.	2001			
B-1	JUL.	2002			

**FINAL**

## MATERIAL ABBREVIATIONS

### ALUMINUM

AL = Aluminum

### COPPER

CU = Copper

### PLASTIC

ABS = Acrylonitrile -butadiene - styrene  
AC = Polyacetal  
EVA = Ethylene vinyl acetate  
PA = Polyamide = Nylon  
PC = Polycarbonate  
PE = Polyethylene  
PES = Polyester  
PETP = Polyethylene terephthalate = Teflon  
PP = Polypropylene  
PS = Polystyrene  
PTFE = Polytetrafluoroethylene = Teflon  
PUR = Polyurethane  
PVC = Polyvinyl chloride

### RUBBER

VN = Vinyl Nitrile  
EPDM = EP rubber  
NBR = Nitrile butadiene rubber  
NR = Natural rubber  
NP = Neoprene  
SI.R = Silicone rubber  
SY.R = Synthetic rubber  
EPH = Epichlorohydrin

### STEEL

GS = Galvanized steel  
SS = Stainless steel  
PS = Plated steel  
PAS = Primed steel

### AUXILIARY CODE

K-0

Designates the year. "K" indicates the year 2000. Years progress or regress in alphabetical order. "J" is 1999, "L" is 2001, "M" is 2002, and so on. The letters "I" and "O" were skipped.

Designates significant part changes within the same year. Base is 0 and this number advances for each change.

Example: P-1

"P" indicates 2004.

"1" indicates the first significant part change for 2004.

### MARKS LOCATED UNDER THE AUXILIARY CODE

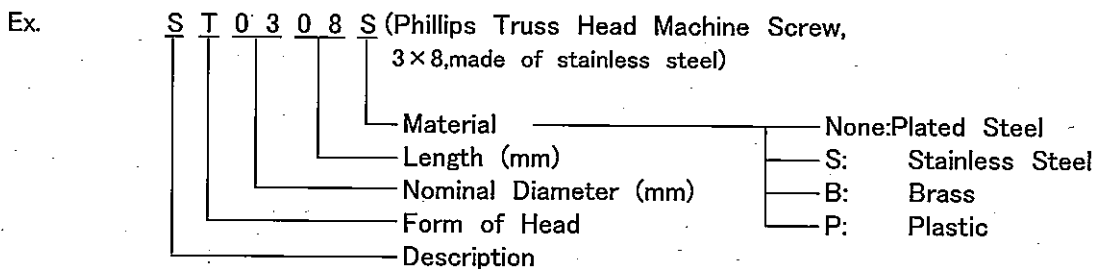
- = Part deleted.

x = Part deleted and replaced by "o" part.

o = New part in place of "x" part.

## FASTENER ABBREVIATION LIST

ST	=	Phillips Truss Head Machine Screw
SP	=	Phillips Pan Head Machine Screw
SF	=	Phillips Flat Head Machine Screw
SS	=	Phillips Pan Head Machine Screw with Split Lock Washer
SW	=	Phillips Pan Head Machine Screw with Split Lock Washer and Flat Washer
T1	=	Phillips Truss Head Tapping Screw (Correspond to Type A)
T2	=	Phillips Truss Head Tapping Screw (Correspond to Type B)
T3	=	Phillips Truss Head Tapping Screw (Correspond to Type C)
FT	=	Phillips Truss Head Tapping Screw (Special)
BH	=	Hexagon Head Bolt
BC	=	Socket Head Cap Screw
BS	=	Hexagon Bolt with Split Washer
BW	=	Hexagon Bolt with Split Washer and Flat Washer
BF	=	Hexagon Flange Bolt
BR	=	Cross-Recessed Hexagon Head Bolt
BRW	=	Cross-Recessed Hexagon Head Bolt with Split Lock Washer and Flat Washer
WL	=	Split Lock Washer
WT	=	External Tooth Washer
WF	=	Flat Washer
WS	=	Spring Washer
NH	=	Hexagon Nut
NF	=	Hexagon Flange Nut
NC	=	Hexagon Cap Nut
NS	=	Square Nut
NW	=	Wing Nut



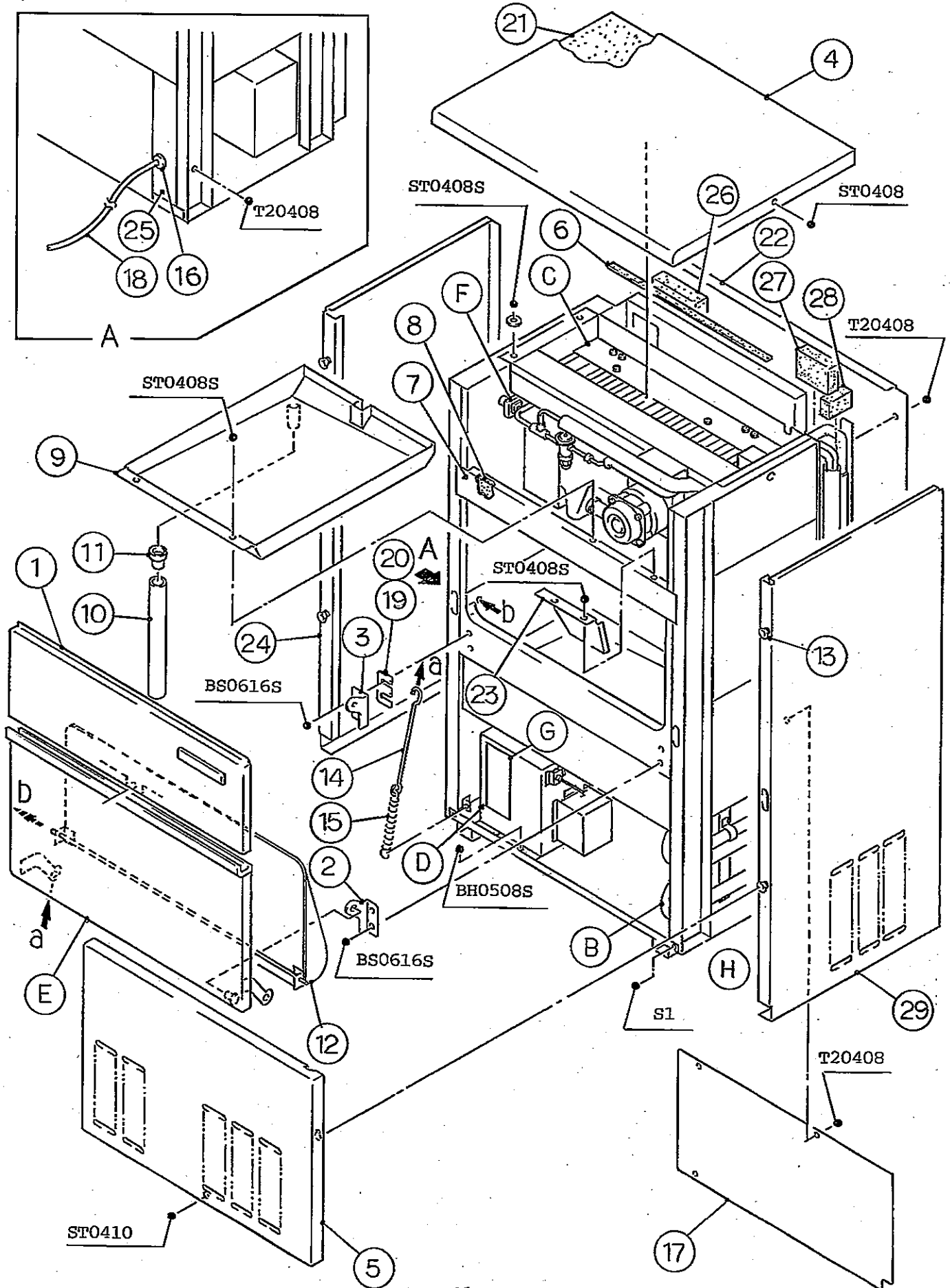
(Note) Second character is numerical except the list.  
Ex: S1,S2,B3 etc.

And abbreviations and names are shown under the illustration.

IM-240WME  
IM-240WME-21, -23

### A. ICE CUBER ASSY

(B-1) (C-0) (D-0) (D-1)  
(J-1) (K-0) (A-0) (B-0)



S1 - HEXAGON Tapping Screw, 6x16

**HE, GENERAL, HSP, KOREA**

MODEL : <b>IM-240WME</b> <b>IM-240WME-21, -23</b>								TITLE : <b>A. ICE CUBER ASSY</b>	
INDEX NO.	DESCRIPTION	MATERIAL OR MODEL NUMBER	PART NUMBER	REQ'D NUMBER					
				J-1,K-0 A-0,B-0	B-1,C-0 D-0	D-1			
B	REFRIGERATION ASSY	(240WME)	1H2015A01	1	1	1			
	REFRIGERATION ASSY	(240WME-21, -23)	-	1	1	1			
C	ICE MAKING MECHANISM ASSY	(240WME)	1H2006A01	1	1	1			
	ICE MAKING MECHANISM ASSY	(240WME-21, -23)	-	1	1	1			
D	CONTROL BOX ASSY	-	2H3965A04	1	-				
			2H3965A08		1	-			
			2H3965A12			1			
E	DOOR ASSY	-	3H1420A07	1	1	1			
F	WATER CIRCUIT ASSY	-	3X3010A02	1	1	1			
G	LABEL LOCATION	(240WME)	3X3121A01	1	1	1			
	LABEL LOCATION	(240WME-21, -23)	-	1	1	1			
H	UNIT FRAME	-	2H4165A01	1	1	1			
1	FRONT PANEL (UPPER)	(HE) (GENERAL) (OCEANIA) (KOREA)	3X3013G01	1	1	1			
	FRONT PANEL (UPPER)	(RINNAI)	3X3013G02	1	1	1			
2	HINGE (RIGHT)	S.S	4H2583-01	1	1	1			
3	HINGE (LEFT)	S.S	4H2584-01	1	1	1			
4	TOP PANEL	S.S	3X3011-01	1	1	1			
5	FRONT PANEL (LOWER)	S.S	2H4173-01	1	1	1			
6	SEAL	TP-230, t3x15x700	1H2014-52	1	1	1			
7	FRONT FRAME	S.S	3X3016-01	1	1	1			
8	INSULATION - FRONT FRAME	PE	4X6809-01	1	1	1			
9	DRAIN PAN	ABS	2H4163G01	1	1	1			
10	PIPE - DRAIN	ABS	4X7117-01	1	1	1			
11	DRAIN TUBE	SI	4H2585-01	1	1	1			
12	SLOPE	ABS	3X4854G01	1	1	1			
13	TAPER COLLAR	S.S	4H0171-01	4	4	4			
14	HOOK	S.S	4H2685-02	1	1	1			
15	SPRING	ZINC-PLATED WIRE	4H0823-01	1	1	1			
16	CORD BUSHING		450414-01	1	1	1			

**HE, GENERAL, HSP,KOREA**

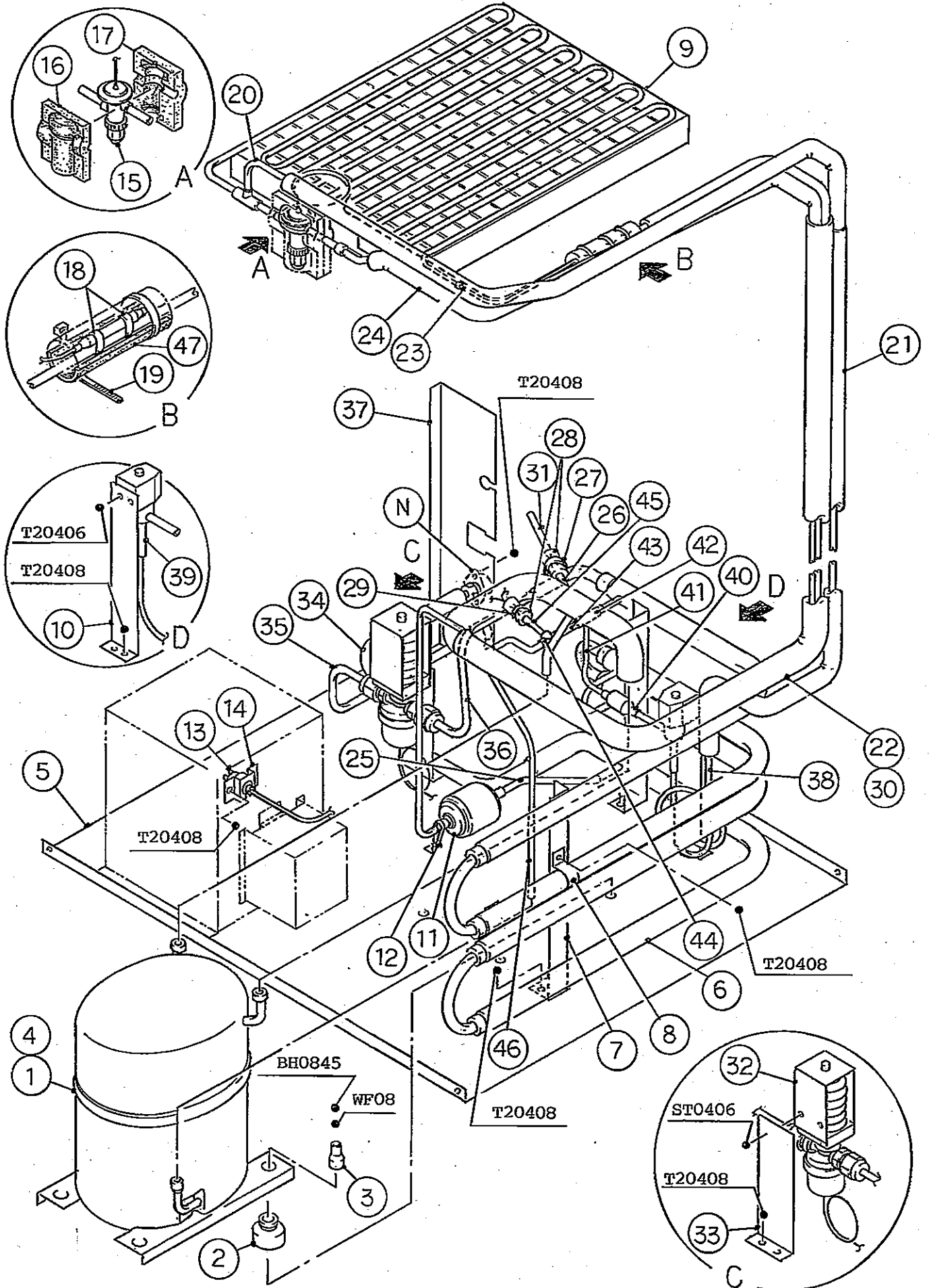
MODEL : IM-240WME IM-240WME-21, -23				TITLE : A. ICE CUBER ASSY			
INDEX NO.	DESCRIPTION	MATERIAL OR MODEL NUMBER	PART NUMBER	REQ'D NUMBER			
				J-1,K-0 A-0,B-0	B-1,C-0 D-0	D-1	
17	REAR COVER	G.S	3X3119G01	1	1	1	
18	POWER SUPPLY CORD (CONTINENTAL)	(HE)	452264-01	1	1	1	
	POWER SUPPLY CORD (UK)	(HE) (KOREA) (GENERAL)	452265-01	1	1	1	
	POWER CORD	(RINNAI) (OCEANIA)	452998-01	1	1	1	
19	HINGE SPACER (A)	S.S	4H0605-01	REQ'D			
20	HINGE SPACER (B)	S.S	4H0605-02	REQ'D			
21	INSULATION - TOP PANEL		3X3012-01	1	1	1	
22	REAR PANEL	G.S	3X3018-01	1	1	1	
23	ICE GUIDE	ABS	3X3060-01	1	1	1	
24	SIDE PANEL (L)	S.S	2H4167-01	1	1	1	
25	PLATE - DRAIN	G.S	3X3120-01	1	1	1	
26	INSULATION (A)	PE	4X7119G01	1	1	1	
27	INSULATION (C)	PE	4X7121-01	1	1	1	
28	INSULATION (D)	PE	4X7122-01	1	1	1	
29	SIDE PANEL (R)	S.S	2H4168-01	1	1	1	

IM-240WME

IM-240WME-21, -23

B. REFRIGERATION ASSY

(B-1) (C-0) (D-0) (D-1)  
(J-1) (K-0) (A-0) (B-0)



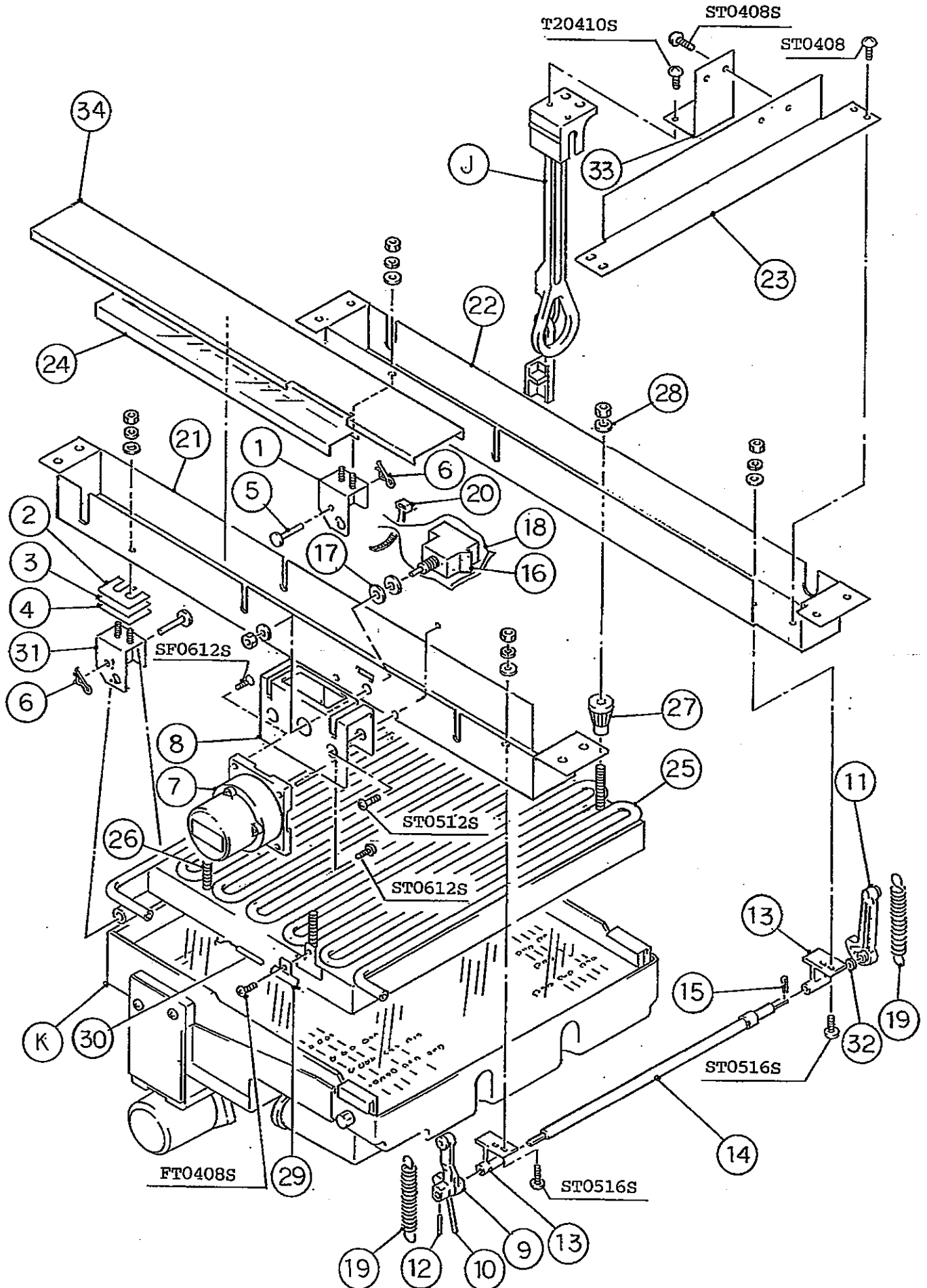
**HE, GENERAL, HSP, KOREA**

MODEL : <b>IM-240WME</b> <b>IM-240WME-21, -23</b>				TITLE : <b>B. REFRIGERATION ASSY</b>			
INDEX NO.	DESCRIPTION	MATERIAL OR MODEL NUMBER	PART NUMBER	REQ'D NUMBER			
				J-1,K-0 A-0,B-0	B-1,C-0 D-0	D-1	
N	FITTING (P) ASSY	(S-0867)	3H7961A01	2	2	2	
1	COMPRESSOR	RS80C1E-CAZ-21	4A1581-01	1	1	1	
2	GROMMET		434922-02	4	4	4	
3	SPACER		434921-01	4	4	4	
4	MOTOR PROTECTOR	071-0518-07	4A1581F01	1	1	1	
5	BASE	G.S	3X3125G01	1	1	1	
6	CONDENSER - WATER COOLED	(S-0400)	103099G01	1	1	1	
7	BRACKET - CONDENSER	G.S	425490-01	2	2	2	
8	CLAMP (B) - CONDENSER	G.S	4H0622-01	4	4	4	
9	EVAPORATOR	(S-0857)	208206G02	1	1	1	
10	BRACKET - HV		4X7127-01	1	1	1	
11	DRIER	DML 032.5S	462965-01	1	1	1	
12	TIE		436156-02	1	1	1	
13	PRESSURE SWITCH	ACB-CB80	446649-01	1	1	1	
14	BRACKET - PRESSURE SWITCH	G.S	425506-01	1	1	1	
15	EXPANSION VALVE	FSE-10NHD-2	454836-02	1	1	1	
16	COVER (A) - EXPANSION VALVE	PE	4H9239-01	1	1	1	
17	COVER (B) - EXPANSION VALVE	PE	4H9239-02	1	1	1	
18	CLIP	068N2530	452254-02	2	2	2	
19	TIE	CV-150	7920-0003	4	4	4	
20	PIPE (A) - HOT GAS	COPPER	3X3036G01	1	1	1	
21	PIPE (B) - HOT GAS	COPPER	4X7253G01	1	1	1	
22	HEAT EXCHANGER	COPPER	3X3132G01	1	1	1	
23	PIPE (A) - LOW SIDE	COPPER	4X7139G01	1	1	1	
24	PIPE (A) - HIGH SIDE	COPPER	3X3038G01	1	1	1	
25	PIPE (A)	COPPER	4X7259-01	1	1	1	
26	PIPE	COPPER	4X4062-01	1	1	1	
27	TIE	CV-100	7920-0002	2	2	2	
28	INSULATION TUBE	L=50	7762-1020	2	2	2	
29	TIE	CV-100	7920-0002	1	1	1	
30	INSULATION TUBE	20 ID x 30 OD L=400	1H2015-53	1	1	1	
31	PIPE	COPPER	4H9158-03	2	2	2	



**HE, GENERAL, HSP, KOREA**

MODEL : <b>IM-240WME</b> <b>IM-240WME-21, -23</b>				TITLE : <b>B. REFRIGERATION ASSY</b>			
INDEX NO.	DESCRIPTION	MATERIAL OR MODEL NUMBER	PART NUMBER	REQ'D NUMBER			
				J-1,K-0 A-0,B-0	B-1,C-0 D-0	D-1	
32	WATER REGULATOR	WVIL-33NHD-1	456441-01	1	1	1	
33	BRACKET - PRESSURE SWITCH	G.S	4X5632-01	1	1	1	
34	PIPE - WATER LINE (A)	COPPER	3X3136G01	1	1	1	
35	PIPE - WATER LINE (B)	COPPER	4X7257-01	1	1	1	
36	PIPE - WATER LINE (C)	COPPER	4X7258-01	1	1	1	
37	PLATE - DRAIN	COPPER	3X3120-01	1	1	1	
38	PIPE (C) - HOT GAS	COPPER	4X7254-01	1	1	1	
39	HOT GAS SOLENOID VALVE	ATS-7S10HD-1	418636-02	1	1	1	
40	STRAINER	COPPER	430365-02	1	1	1	
41	PIPE (D) - HOT GAS	COPPER	4X7255-01	1	1	1	
42	TEE	COPPER	420041-09	1	1	1	
43	PIPE - JOINT	COPPER	4X4756-01	1	1	1	
44	TEE	COPPER	420041-05	1	1	1	
45	COPPER TUBE	COPPER	4H4548-01	1	1	1	
46	PIPE (B)		3X3135-01	1	1	1	
47	INSULATION	25 ID x 35 OD L=130	4X8643-01	1	1	1	



HE, GENERAL, HSP, KOREA

MODEL : IM-240WME IM-240WME-21, -23				TITLE : C. ICE MAKING MECHANISM ASSY			
INDEX NO.	DESCRIPTION	MATERIAL OR MODEL NUMBER	PART NUMBER	REQ'D NUMBER			
				J-1,K-0 A-0,B-0	B-1,C-0 D-0	D-1	
J	BIN CONTROL SWITCH ASSY	(S-0819)	3H1538A02	1	1	1	
K	WATER PAN ASSY	(240WME, -23)	103108A19	1	1	1	
	WATER PAN ASSY	(240WME-21)	-	1	1	1	
1	HANGER BRACKET	S.S	3H1440G02	1	1	1	
2	SHIM (A) - EVAPORATOR	S.S	4H2691-01	REQ'D			
3	SHIM (B) - EVAPORATOR	S.S	4H2691-02	REQ'D			
4	SHIM (C) - EVAPORATOR	S.S	4H2691-03	REQ'D			
5	SHAFT (B)	S.S	4H1184-02	2	2	2	
6	SNAP PIN	S.S, SSP-6	715S-0006	2	2	2	
7	ACTUATOR MOTOR	SR65A41-13	452499-01	1	1	1	
8	BRACKET - ACTUATOR MOTOR	TC-0530	3H2241-01	1	1	1	
9	CAM (A)	POM	303881A02	1	1	1	
10	CHANGE LEVER	S.S	406261-01	1	1	1	
11	CAM (B)	AC	315775-01	1	1	1	
12	SPRING PIN	S.S, 3x28	712S-0328	1	1	1	
13	BEARING-CAM SHAFT	POM	3X8307-01	2	2	2	
14	CAM SHAFT	S.S	425511G01	1	1	1	
15	SPLIT PIN	S.S, 2x12	711S-0212	1	1	1	
16	TOGGLE SWITCH	VAT4-71	431977-01	1	1	1	
17	WASHER - TOGGLE SWITCH	S.S	406196-01	1	1	1	
18	COVER - THERMISTOR	PE	408163-01	1	1	1	
19	SPRING	S.S	4H3473-01	2	2	2	
20	TIE	CV-70	7920-0001	1	1	1	
21	FRAME - FRONT	G.S	3X3030-01	1	1	1	
22	FRAME - REAR	G.S	3X3031-01	1	1	1	
23	FRAME	G.S	4X7130-01	1	1	1	
24	GUIDE - CONNECTOR	PVC	4H5619-01	1	1	1	
25	EVAPORATOR (S-0857)	(240WME)	208206G02	1	1	1	
	EVAPORATOR (S-0858)	(240WME-21)	208205G02	1	1	1	
	EVAPORATOR (S-0859)	(240WME-23)	2H1833G02	1	1	1	
26	BOLT - EVAPORATOR MOUNTING	(240WME)	4H2678-01	4	4	4	
	BOLT - EVAPORATOR MOUNTING	(240WME-21, -23)	4H2886-01	4	4	4	

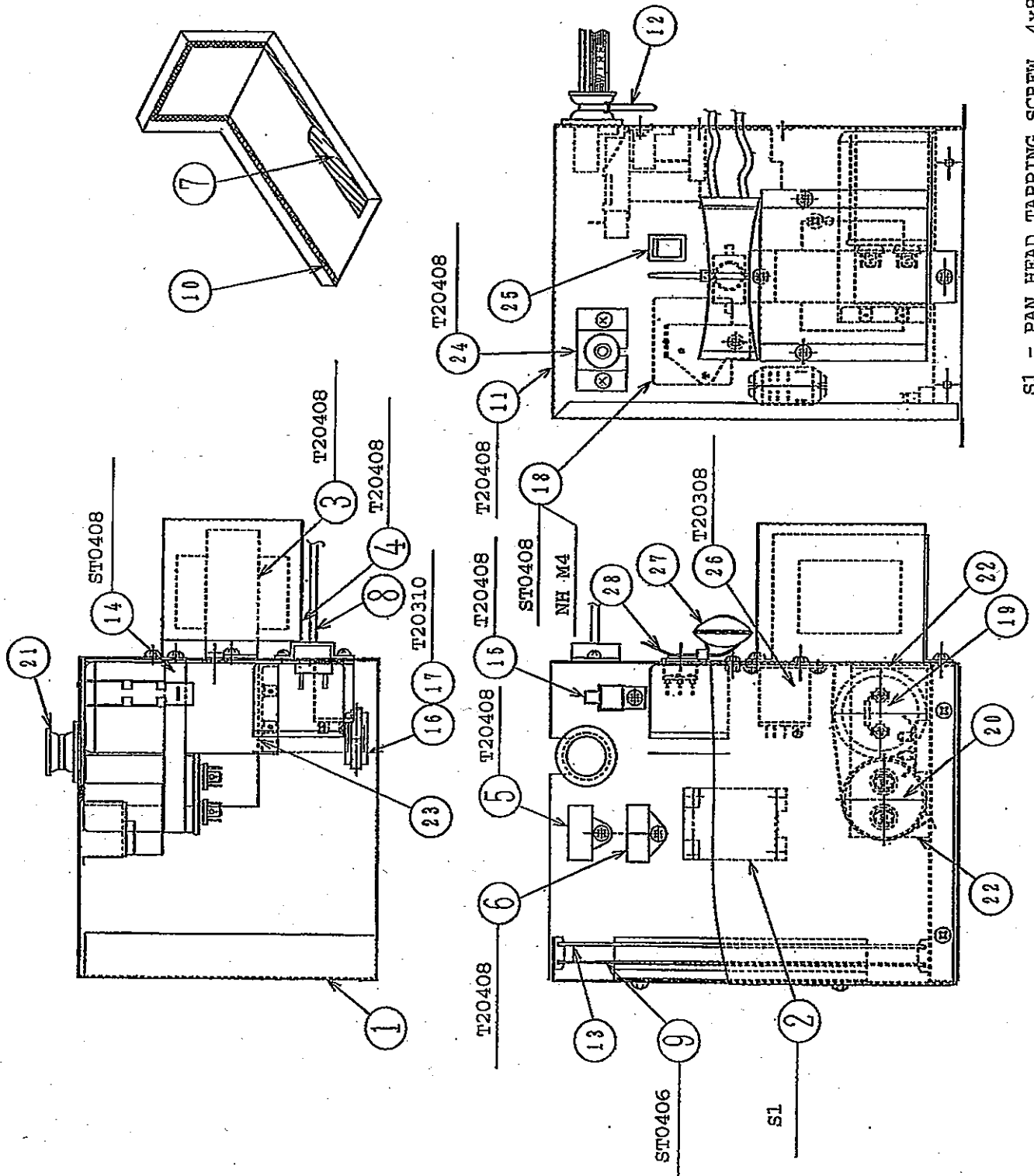
**HE, GENERAL, HSP,KOREA**

**MODEL : IM-240WME  
IM-240WME-21, -23**

**TITLE : C. ICE MAKING MECHANISM ASSY**

INDEX NO.	DESCRIPTION	MATERIAL OR MODEL NUMBER	PART NUMBER	REQ'D NUMBER			
				J-1,K-0 A-0,B-0	B-1,C-0 D-0	D-1	
27	COLLAR	(240WME)	3H3879-01	4	4	4	
	COLLAR	(240WME-21, -23)	4H0471-01	4	4	4	
28	WASHER	AC	4H0777-01	4	4	4	
29	HOLDER - THERMISTOR	PE	3H9642-01	1	1	1	
30	THERMISTOR	NBFC-36-T2	425373-03	1	1	1	
31	HANGER BRACKET	S.S	3H1440G01	1	1	1	
32	COLLAR	(240WME-21)	429124-01	1	1	1	
33	BRACKET - BIN CONTROL SWITCH	G.S	4X7142-01	1	1	1	
34	COVER - MECHANISM BASE	PVC	4X7136-01	1	1	1	

D. CONTROL BOX ASSY



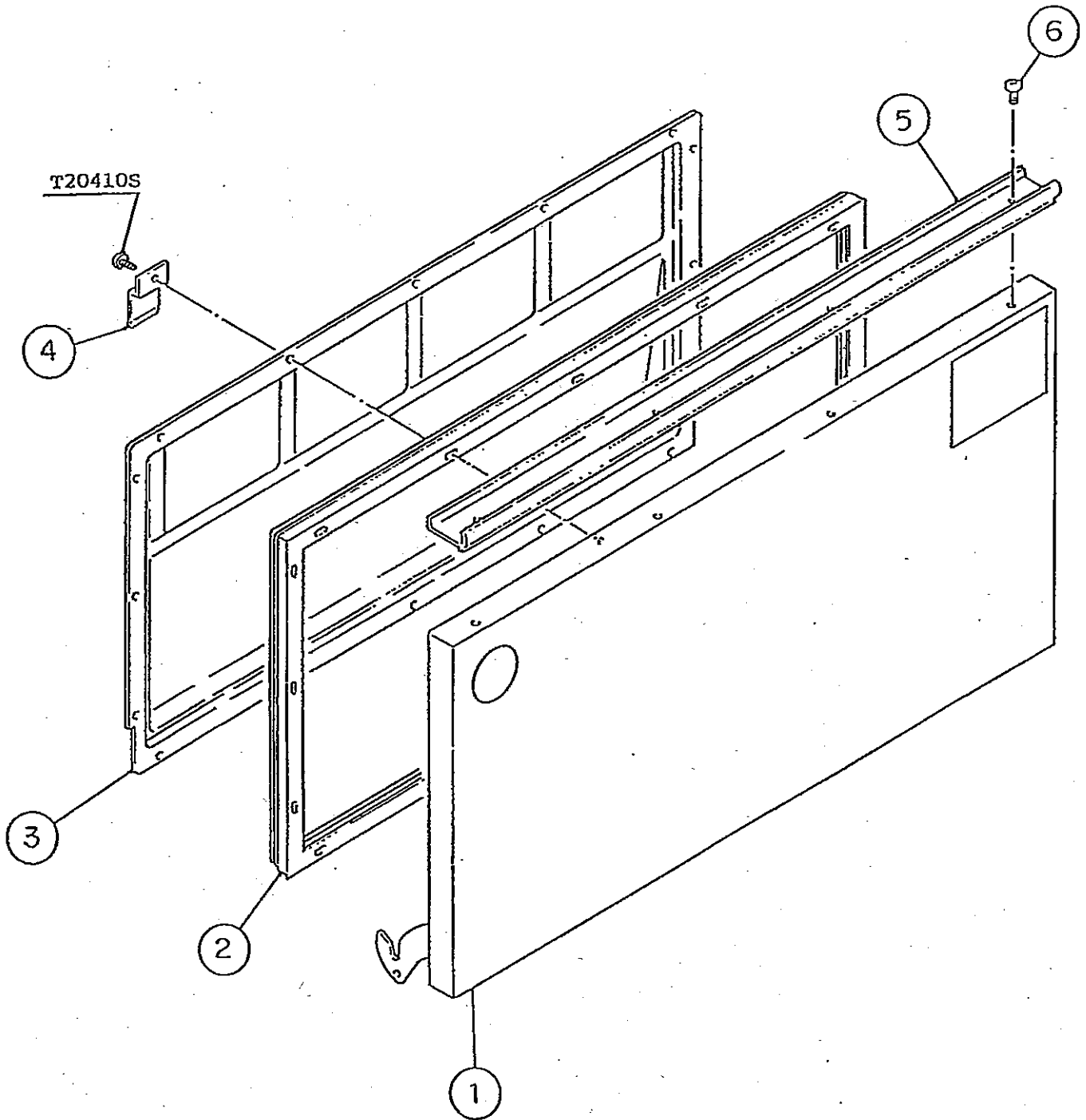
S1 - PAN HEAD TAPPING SCREW, 4x8

HE, GENERAL, HSP, KOREA

MODEL : IM-240WME IM-240WME-21, -23		TITLE : D. CONTROL BOX ASSY					
INDEX NO.	DESCRIPTION	MATERIAL OR MODEL NUMBER	PART NUMBER	REQ'D NUMBER			
				J-1,K-0 A-0,B-0	B-1,C-0 D-0	D-1	
1	CONTROL BOX	G.S	3H9578G03	1	-		
			3H9578G04		1	-	
			3H9578G06				1
2	MAGNETIC CONTACTOR	E-10F	426535-01	1	-		
		LC1-K1201K7	461944-01	-	1	1	
3	TRANSFORMER	S36809	450104-01	1	1	1	
4	COVER - TRANSFORMER	G.S	4X4065-01	1	1	1	
5	CAPACITOR - ACTUATOR MOTOR	0.8 uF	456262-01	1	1	1	
6	CAPACITOR - PUMP MOTOR	4.0 uF	416920-02	1	1	1	
7	CUSHION	-	4H2718-01	1	1	1	
8	PRESSURE SWITCH	ACB-CB80	446649-01	1	1	1	
9	SHIELD PLATE	G.S	4H2594-01	1	1	1	
10	SEAL TAPE	w12 x t3.0	2H3965-16	1	1	1	
11	CONTROL BOX COVER	G.S	3H9571-01	1	1	1	
12	TIE	PRT1.5S	427466-01	1	1	1	
13	CONTROLLER BOARD	H2AA136C03	436572-03	1	1	1	
14	BRACKET - CAPACITOR	G.S	4X4056-05	1	1	1	
15	SURGE ABSORBER	DSAR3FV-362M-10JLK	436573-02	1	1	1	
16	FUSE	218005	451924-01	1	1	1	
17	FUSE HOLDER	445710	451925-01	1	1	-	
		CFH15	4Y2547-01			1	
18	STARTER	(EXCEPT KOREA) 3ARR3CT10AS5	4A1107-02	1	1	1	
	STARTER	(KOREA) 040-0001-19	434172-05	1	1	1	
19	START CAPACITOR	(EXCEPT KOREA) 3535B7C0064 A250A5	3A0076-14	1	1	1	
	START CAPACITOR	(KOREA) 3530B6A0088 A330A3	3A0076-07	1	1	1	

**HE, GENERAL, HSP, KOREA**

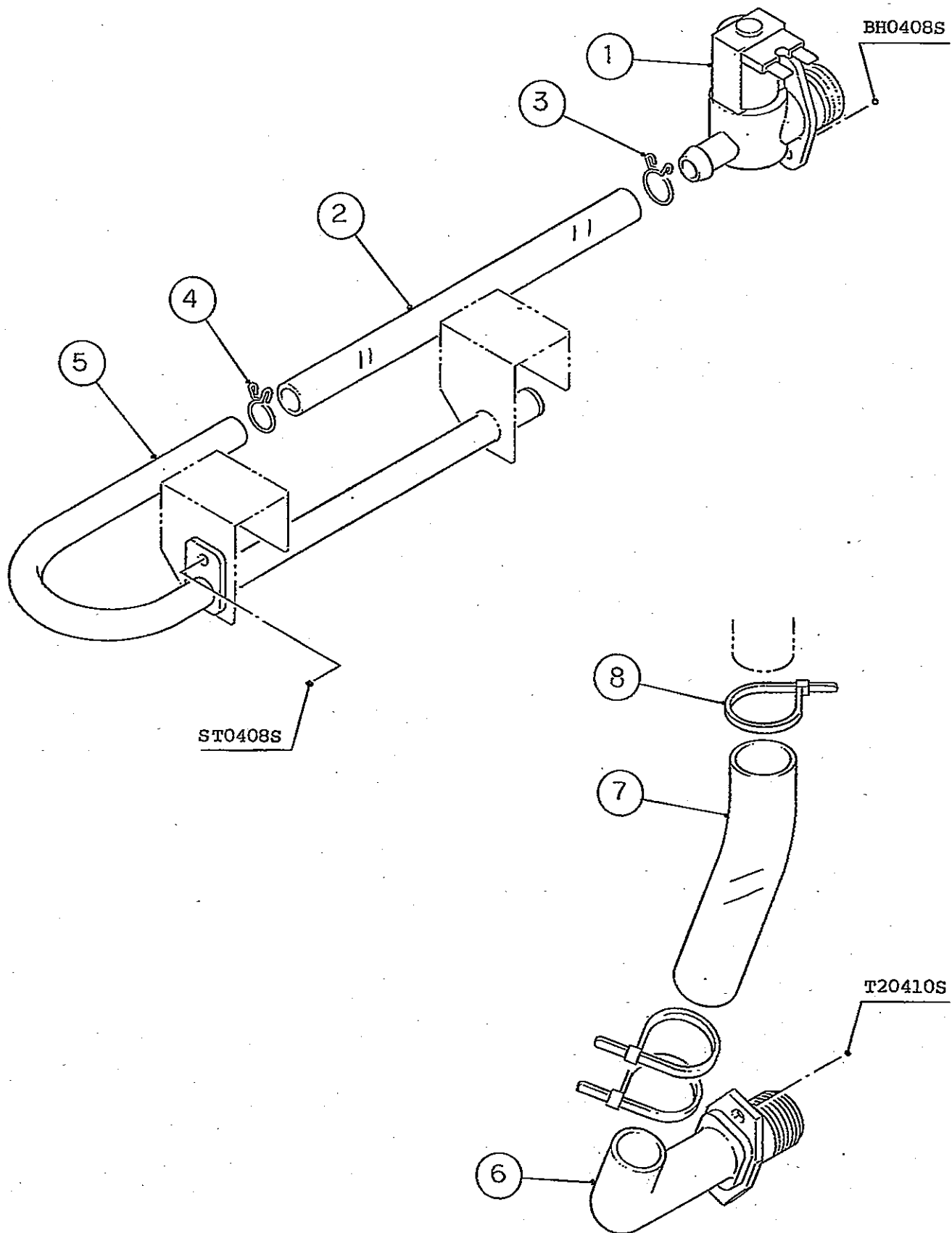
MODEL: <b>IM-240WME</b> <b>IM-240WME-21, -23</b>				TITLE: <b>D. CONTROL BOX ASSY</b>			
INDEX NO.	DESCRIPTION	MATERIAL OR MODEL NUMBER	PART NUMBER	REQ'D NUMBER			
				J-1,K-0 A-0,B-0	B-1,C-0 D-0	D-1	
20	RUN CAPACITOR	(EXCEPT KOREA) X386S (HG17)	4A1631-01	1	1	1	
	RUN CAPACITOR	(KOREA) X386S (HG08)	439943-06	1	1	1	
21	GROMMET	NBR	4H2568-01	1	1	1	
22	COVER (A) - CAP	ABS	4X4779-01	2	2	2	
23	COVER (B) - CAP	ABS	4X4779-02	1	1	1	
24	BRACKET - PRESSURE SWITCH	G.S	425506-01	1	1	1	
25	ROCKER SWITCH	H8600VB	460681-01	1	1	1	





HE, GENERAL, HSP,KOREA

MODEL : IM-240WME IM-240WME-21, -23		TITLE : E. DOOR ASSY					
INDEX NO.	DESCRIPTION	MATERIAL OR MODEL NUMBER	PART NUMBER	REQ'D NUMBER			
				J-1,K-0 A-0,B-0	B-1,C-0 D-0	D-1	
1	DOOR	S.S	3H9272G01	1	1	1	
2	GASKET	PVC RUBBER	3H1431-03	1	1	1	
3	REVERSE COVER	ABS	3X4833-01	1	1	1	
4	CATCH - SLOPE	S.S	4H0439-01	1	1	1	
5	HANDLE	ABS	328924-04	1	1	1	
6	TAPPING SCREW - BLACK	STEEL, 4x8	433954-01	4	4	4	

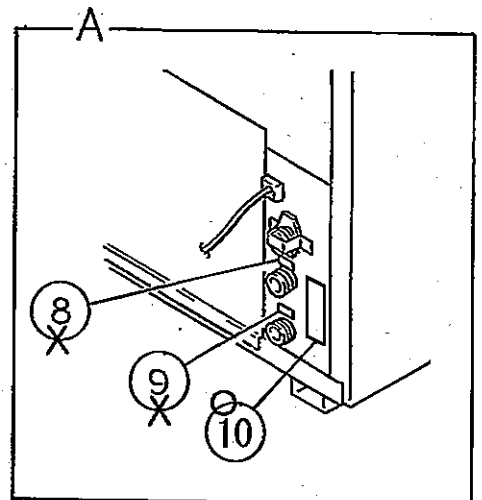
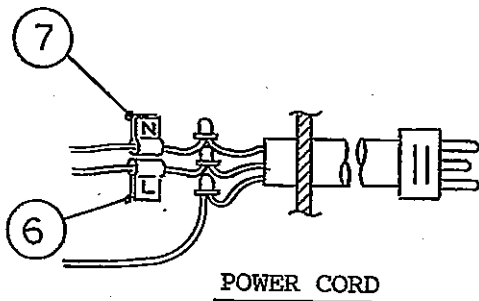
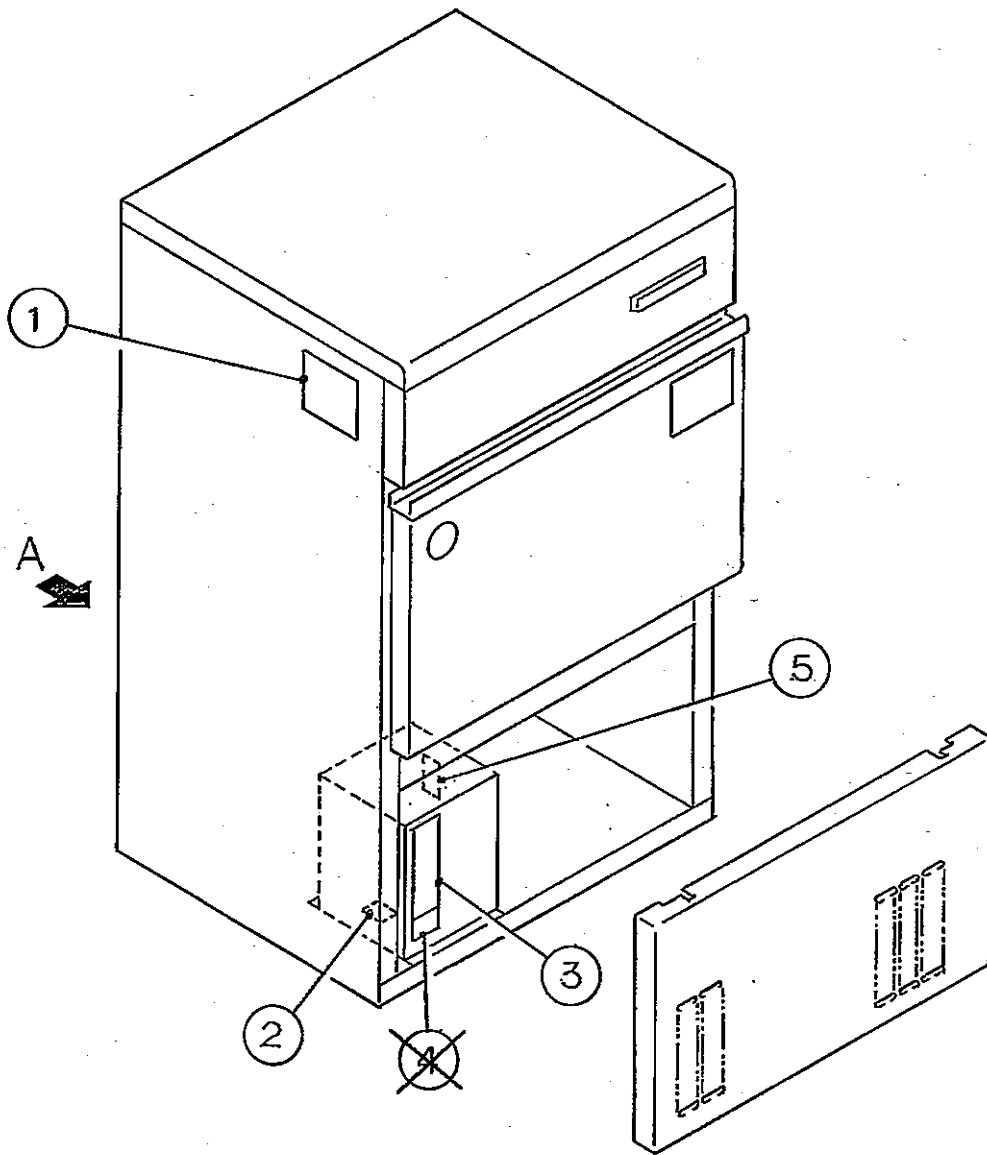


HE, GENERAL, HSP, KOREA

MODEL: IM-240WME  
IM-240WME-21, -23

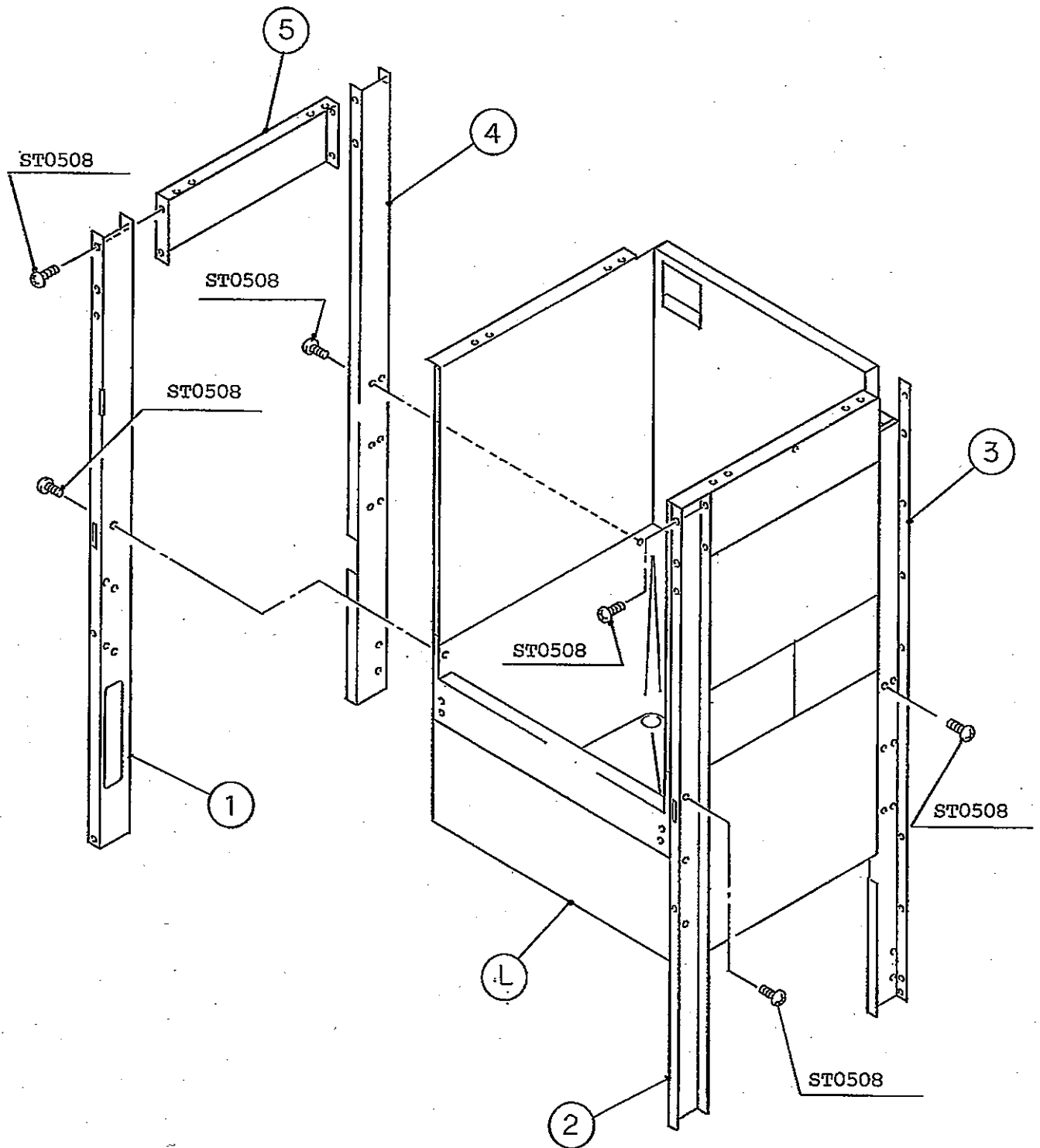
TITLE: F. WATER CIRCUIT ASSY

INDEX NO.	DESCRIPTION	MATERIAL OR MODEL NUMBER	PART NUMBER	REQ'D NUMBER		
				J-1,K-0 A-0,B-0	B-1,C-0 D-0	D-1
1	WATER VALVE	V18, 2.0 L/min.	452137-01	1	-	
		V18, 3.8 L/min.	452138-01	-	1	1
2	SILICONE HOSE	L=280	7730-1215	1	1	1
3	CLAMP	SK-15	435934-03	1	1	1
4	CLAMP	SK-14	435934-02	1	1	1
5	PIPE - WATER SUPPLY	ABS	3H9533G01	1	1	1
6	DRAIN PIPE	PVC	3H0394-01	1	1	1
7	HOSE	L=190	7711-2226	1	1	1
8	TIE	CV-150	7920-0003	3	3	3



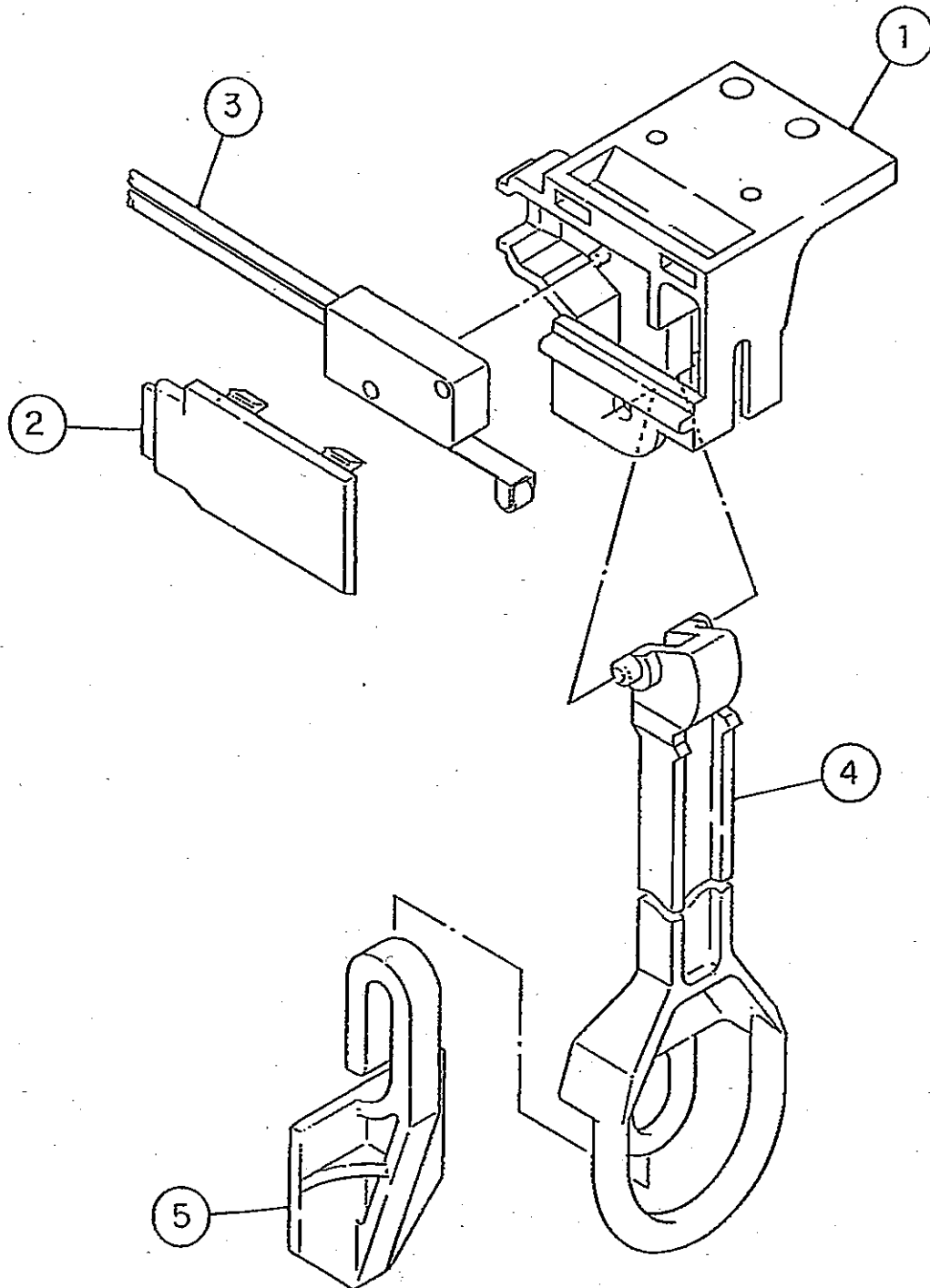
HE, GENERAL, HSP,KOREA

MODEL : IM-240WME IM-240WME-21, -23								TITLE : G. LABEL LOCATION			
INDEX NO.	DESCRIPTION	MATERIAL OR MODEL NUMBER	PART NUMBER	REQ'D NUMBER							
				J-1,K-0 A-0,B-0	B-1,C-0 D-0	D-1					
1	NAMEPLATE		N/A	1	1	1					
2	LABEL - GROUND	PVC FILM	451712-01	1	1	1					
3	CONTROL LABEL	PVC FILM	340941-01	1	1	1					
4	LABEL - R-404A	PES FILM	453230-01	X							
5	LABEL - SWITCH	PVC FILM	454374-01	1	1	1					
6	LABEL - TERMINAL	PAPER	452379-03	1	1	1					
7	LABEL - TERMINAL	PAPER	452379-04	1	1	1					
8	LABEL - DRAIN WATER INLET		418029-04	×1							
9	LABEL - DRAIN WATER OUTLET		418029-05	×1							
10	LABEL - CONNECTION		464541-01	01	1	1					



**HE, GENERAL, HSP, KOREA**

MODEL : <b>IM-240WME</b>				TITLE : <b>H. UNIT FRAME</b>			
MODEL : <b>IM-240WME-21, -23</b>							
INDEX NO.	DESCRIPTION	MATERIAL OR MODEL NUMBER	PART NUMBER	REQ'D NUMBER			
				J-1,K-0 A-0,B-0	B-1,C-0 D-0	D-1	
L	BIN ASSY		2H4169G01	1	1	1	
1	CHASSIS - FRONT (L)	G.S	3X3023-01	1	1	1	
2	CHASSIS - FRONT (R)	G.S	3X3023-02	1	1	1	
3	CHASSIS - REAR (R)	G.S	3X3266-01	1	1	1	
4	CHASSIS - REAR (L)	G.S	3X3267-01	1	1	1	
5	CHASSIS	G.S	3X3025-01	2	2	2	





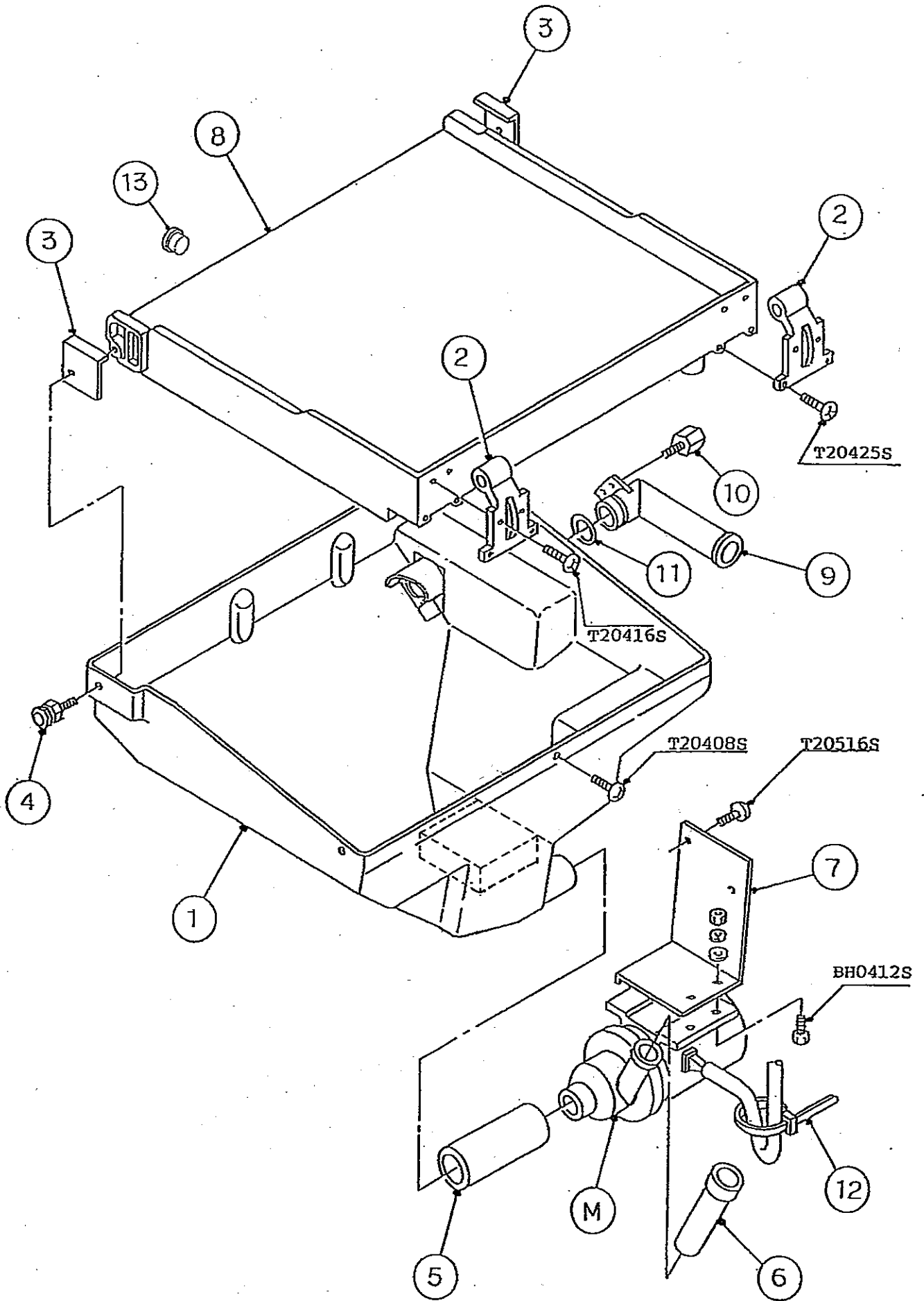
HE, GENERAL, HSP, KOREA

INDEX NO.		DESCRIPTION	MATERIAL OR MODEL NUMBER	PART NUMBER	REQ'D NUMBER		
					J-1,K-0 A-0,B-0	B-1,C-0 D-0	D-1
1		BRACKET	PC	2H2043-01	1	1	1
2		COVER - BRACKET	PC	4H8785-01	1	1	1
3		MICROSWITCH	ABV1636618F2	456432-02	1	1	1
4		ACTUATOR	PC	3H1369-02	1	1	1
5		DETECTOR	ABS	311044-01	1	1	1

IM-240WME  
IM-240WME-21, -23

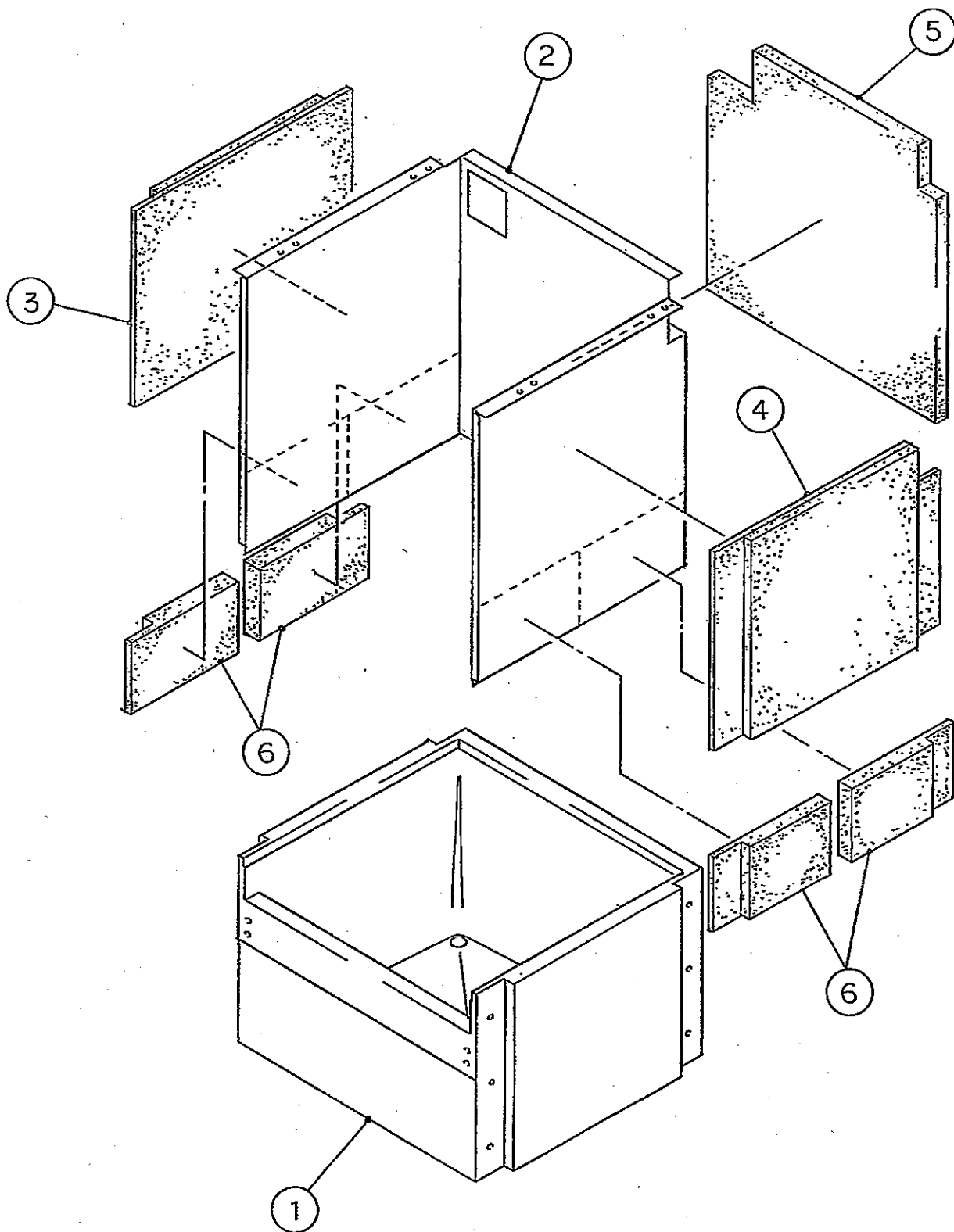
K. WATER PAN ASSY

(B-1) (C-0) (D-0) (D-1)  
(J-1) (K-0) (A-0) (B-0)

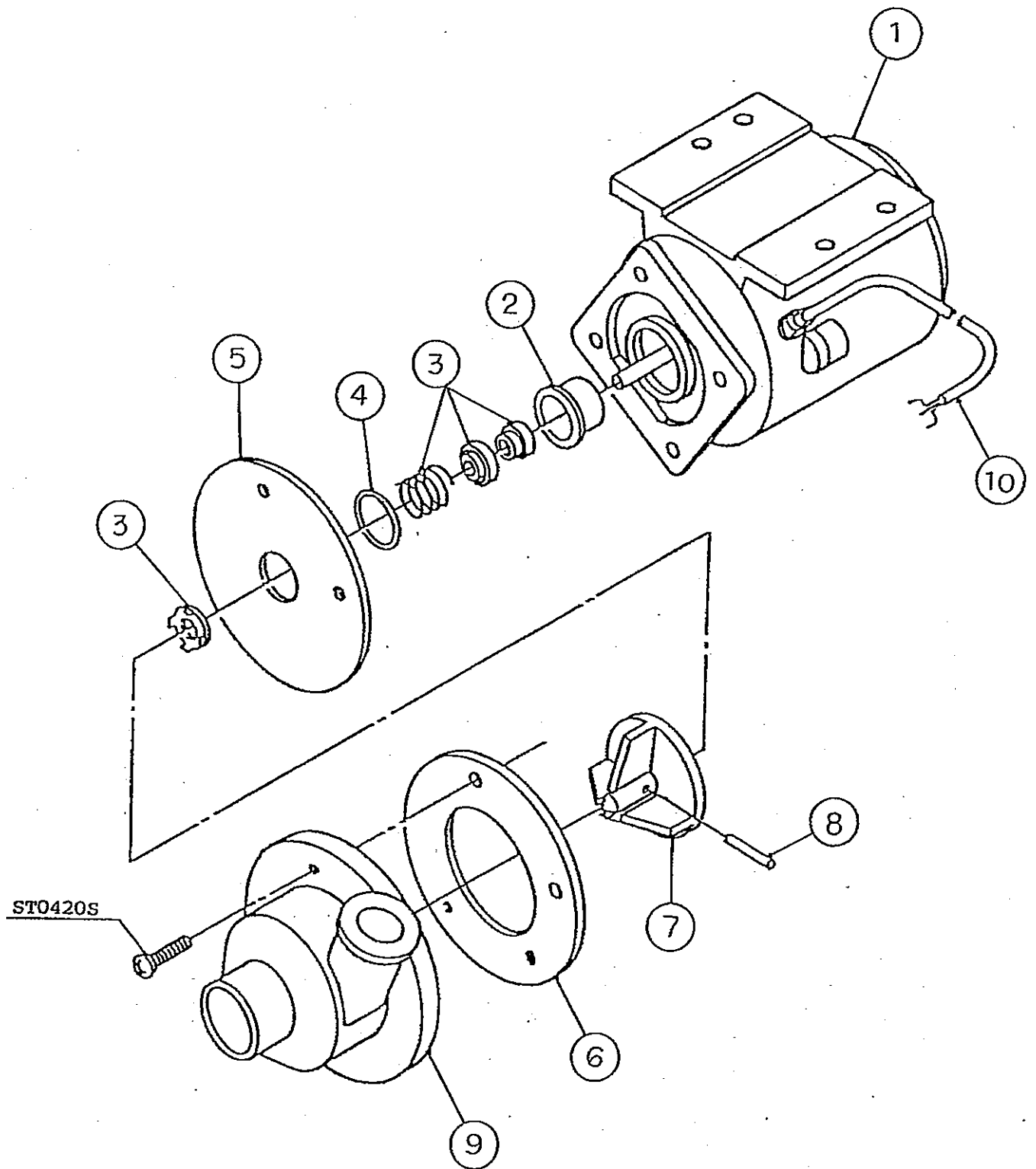


**HE, GENERAL, HSP,KOREA**

MODEL : <b>IM-240WME</b>		TITLE : <b>K. WATER PAN ASSY</b>					
IM-240WME-21, -23							
INDEX NO.	DESCRIPTION	MATERIAL OR MODEL NUMBER	PART NUMBER	REQ'D NUMBER			
				J-1,K-0 A-0,B-0	B-1,C-0 D-0	D-1	
M	WATER PUMP ASSY	(S-9693)	316043A08	1	1	1	
1	WATER PAN	ABS	2H4324G02	1	-		
		ABS	1H0888-02		1	1	
2	HANGER - WATER PAN	PA	3H2059-01	2	2	2	
3	BRACKET	S.S	402957-01	2	2	2	
4	SCREW - SPRING HOOK	AC	4H2582G01	2	2	2	
5	HOSE - PUMP SUCTION	SI. R	425437-01	1	1	1	
6	HOSE - PUMP DISCHARGE	SI. R	425436-01	1	1	1	
7	BRACKET - PUMP MOTOR	G.S	315880-01	1	1	1	
8	WATER PLATE (S-0393)	(240WME, -23)	208020G01	1	1	1	
	WATER PLATE (S-0415)	(240WME-21)	208484G01	1	1	1	
9	PIPE - OVERFLOW	ABS	315530-01	1	1	1	
10	THUMBSCREW	ABS, S.S	415949G01	1	1	1	
11	"O" RING	G-25	404779-08	1	1	1	
12	TIE	CV-70	7920-0001	1	1	1	
13	CAP (C)	(240WME-21)	414061-01	9	9	9	







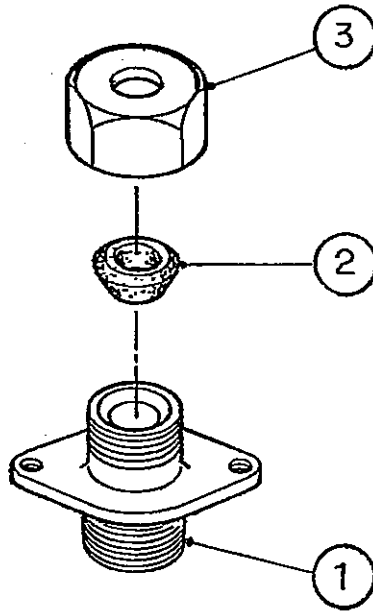
**HE, GENERAL, HSP, KOREA**

MODEL : IM-240WME IM-240WME-21, -23				TITLE : M. WATER PUMP ASSY			
INDEX NO.	DESCRIPTION	MATERIAL OR MODEL NUMBER	PART NUMBER	REQ'D NUMBER			
				J-1,K-0 A-0,B-0	B-1,C-0 D-0	D-1	
1	PUMP MOTOR	APTA4B2P10L2	451803-01	1	1	1	
2	RETAINER	S.S	418584-01	1	1	1	
3	MECHANICAL SEAL/R	HKU90-J9001	465627-01	1	1	1	
4	"O" RING	P18	404779-03	1	1	1	
5	FIX PLATE - "O" RING	S.S	425640-01	1	1	1	
6	PACKING	NR	425639-01	1	1	1	
7	IMPELLER	ABS	424927-01	1	1	1	
8	PIN	S.S	414102-01	1	1	1	
9	PUMP HOUSING	ABS	208019-01	1	1	1	

IM-240WME  
IM-240WME-21,-23

N. FITTING (P) ASSY

(B-1) (C-0) (D-0) (D-1)  
(J-1) (K-0) (A-0) (B-0)



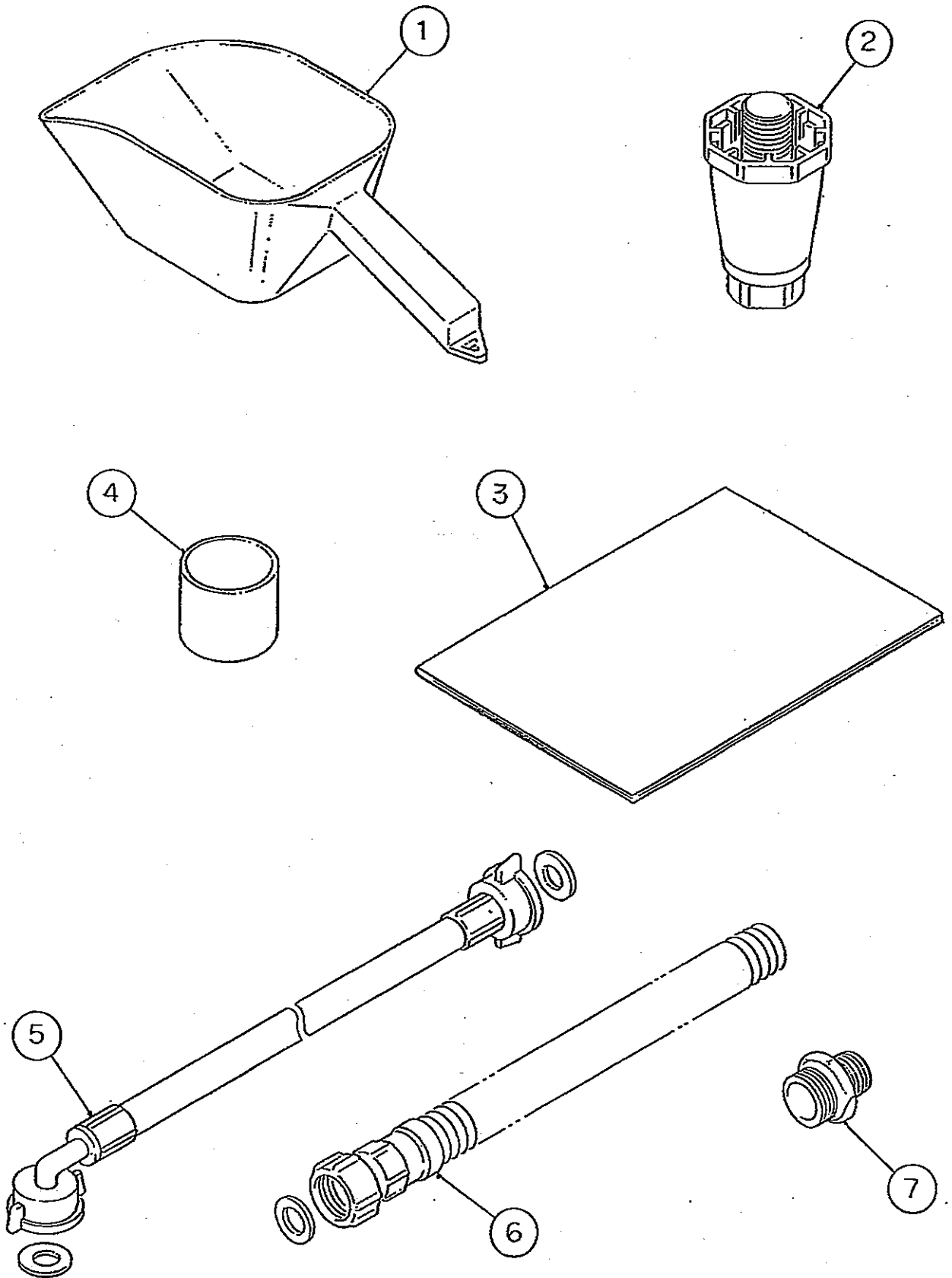


HE, GENERAL, HSP, KOREA

MODEL : IM-240WME  
 IM-240WME-21, -23

TITLE : N. FITTING (P) ASSY

INDEX NO.	DESCRIPTION	MATERIAL OR MODEL NUMBER	PART NUMBER	REQ'D NUMBER			
				J-1,K-0 A-0,B-0	B-1,C-0 D-0	D-1	
1	FITTING (P)	BRASS	3H7961-01	1	1	1	
2	TAPER PACKING (A)	FR	415715-01	1	1	1	
3	NUT (A) - FITTING	BRSS	415713-01	1	1	1	



**HE, GENERAL, HSP,KOREA**

MODEL : IM-240WME IM-240WME-21, -23				TITLE : P. ACCESSORIES			
INDEX NO.	DESCRIPTION	MATERIAL OR MODEL NUMBER	PART NUMBER	REQ'D NUMBER			
				J-1,K-0 A-0,B-0	B-1,C-0 D-0	D-1	
1	SCOOP	PE	208185-01	1	1	1	
2	LEG	SDKO-90H-NS	446729-01	4	4	4	
3	INSTRUCTION MANUAL	PAPER	91E1AX20B	1	1	1	
4	CAP	PE	417323-01	1	1	1	
5	INLET HOSE	HOSH01	450722-01	1	1	1	
6	OUTLET HOSE	HOSH02	450723-01	1	1	1	
7	ADAPTER	H.140.1	450724-01	2	2	2	